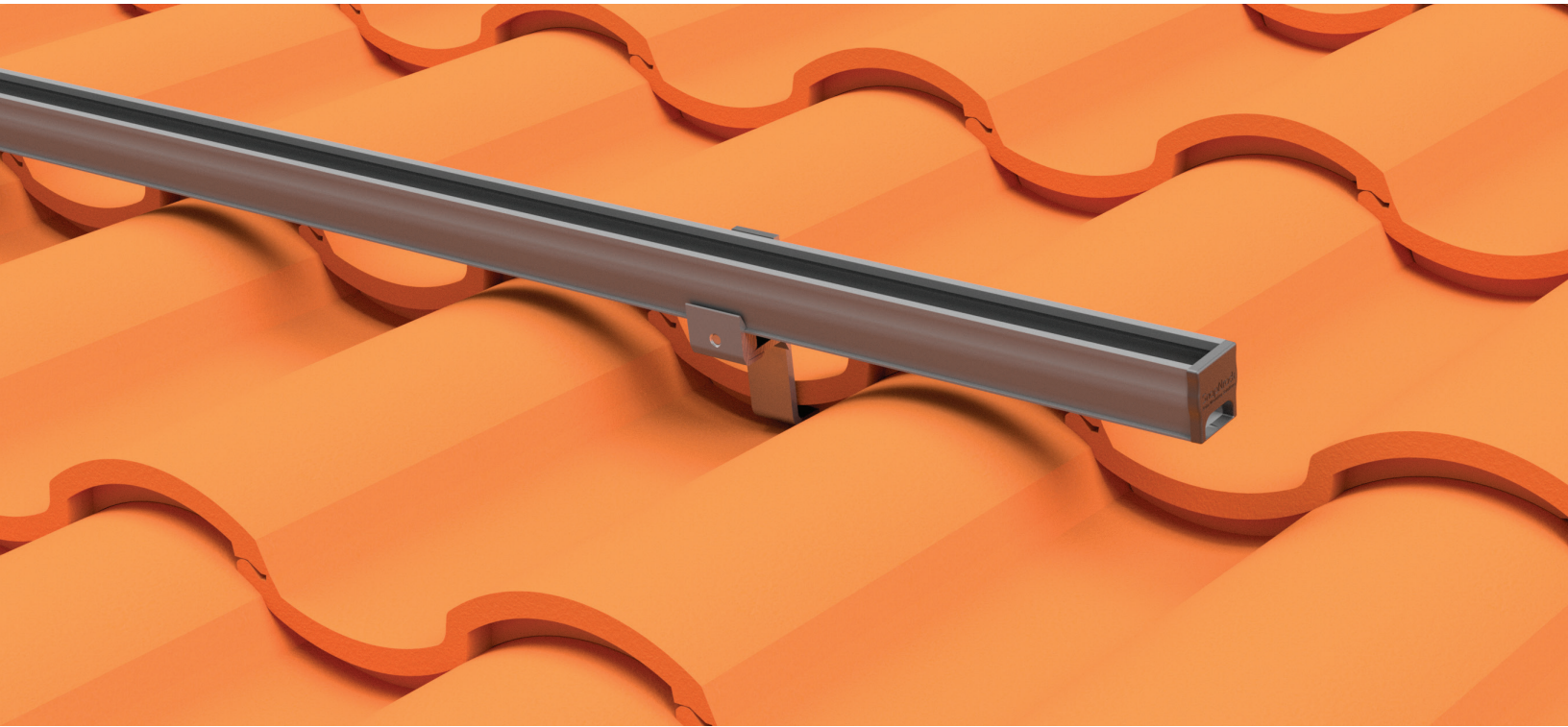


Tile Hook



The Simple Solution for Mounting Solar on Tile Roofs



No cutting of tiles required
as with tile hook designs



Single Tool installation &
snap-in features as with all
SnapNrack products



Strong & rigid design
reduces roof attachments



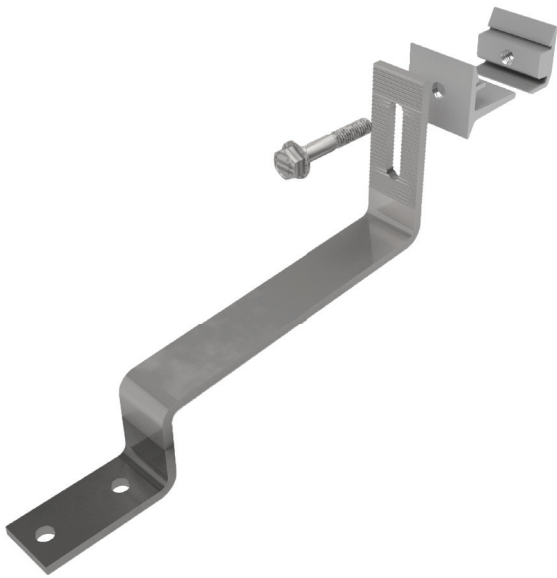
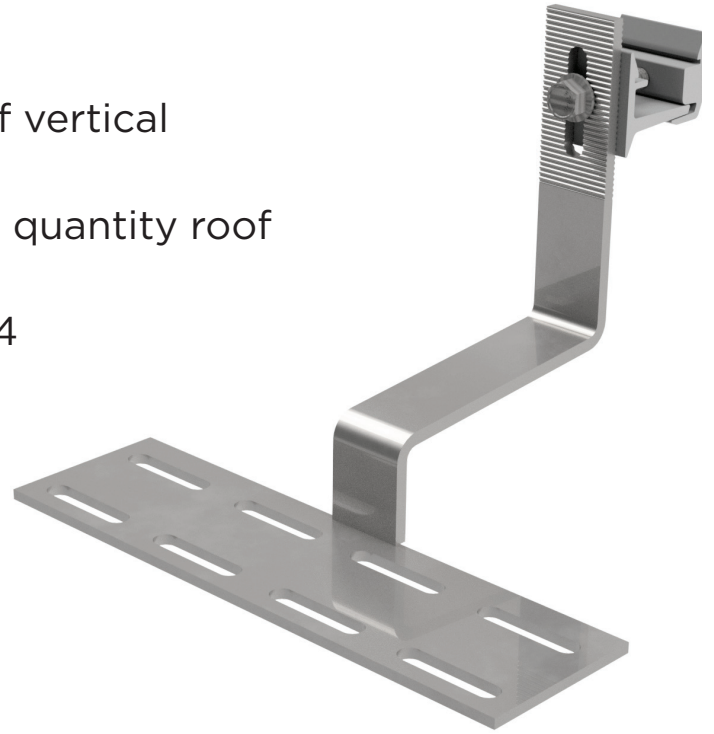
Save time & material costs
on broken tiles

Start Installing Ultra Rail Tile Hooks Today

SnapNrack Tile Hooks

are an economical solution for mounting Ultra Rail on flat, S and W shaped tile roofs. The roof hooks are a strong, low-profile roof attachment solution for tile roofing that eliminates the need for cone flashing.

- Slotted attachment provides 1.25" of vertical adjustment for array leveling
- Strong and rigid design reduces the quantity roof attachments required
- The hook arm is fabricated from 304 Stainless Steel for maximum strength
- Typically allows for installation without cutting or grinding of tiles.



- 2 SKUs for all roof types: Flat or S-W Tile Roof Hooks
- Only 2 lags required to secure hook to roof
- Simple design makes training a breeze
- Flexible flashing available for all tile roof hooks

Quality. Innovative. Superior.

SnapNrack Solar Mounting Solutions are engineered to optimize material use and labor resources and improve overall installation quality and safety.