

DESCRIPTION:
SNAPRACK, UR-40 SPLICE

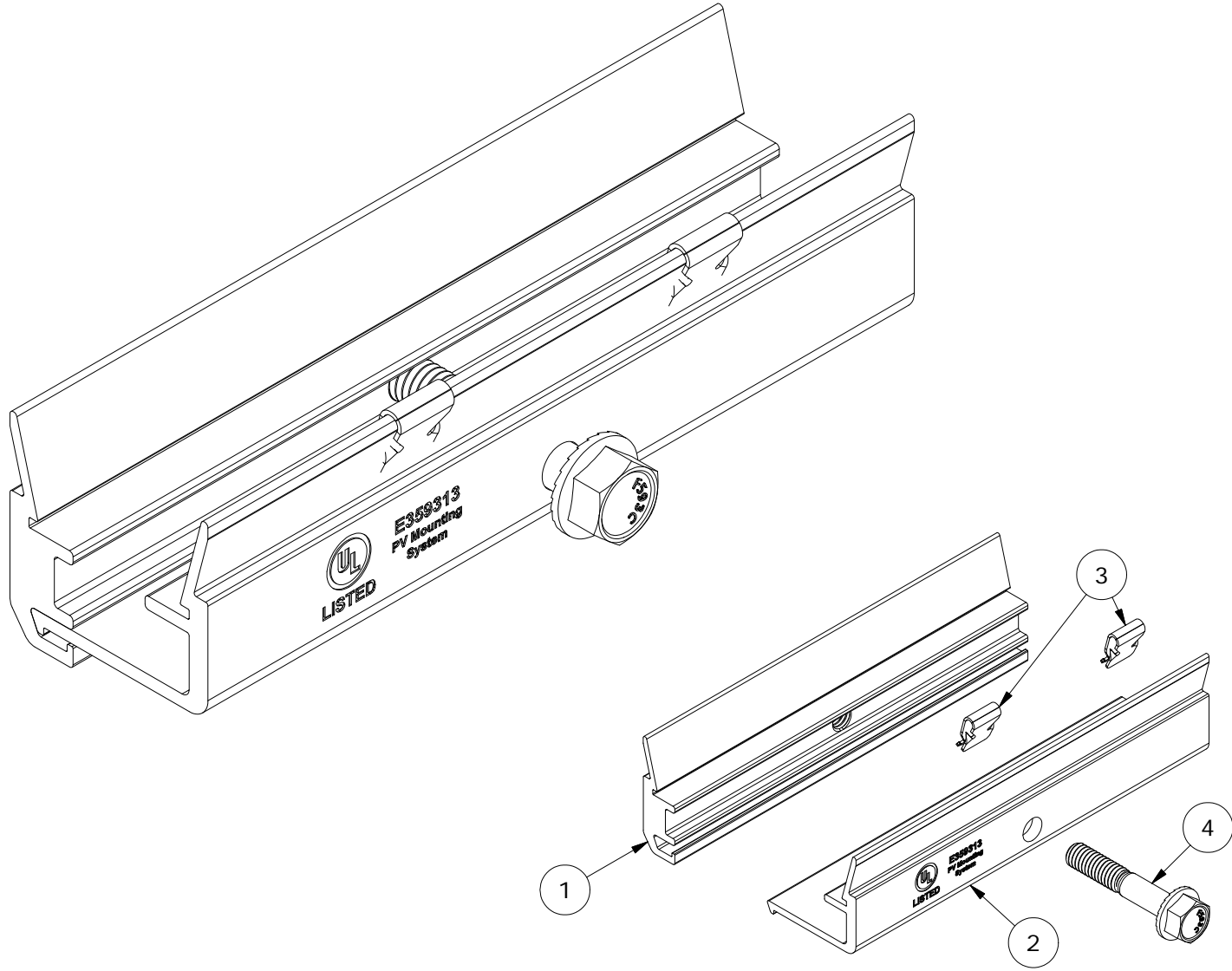
PART NUMBER(S):
242-01213, 242-01214

DRAWN BY:
 mwatkins

REVISION:
A

SnapNrack™
 Solar Mounting Solutions

THE INFORMATION IN THIS DRAWING IS CONFIDENTIAL AND PROPRIETARY. ANY REPRODUCTION, DISCLOSURE, OR USE THEREOF IS PROHIBITED WITHOUT THE WRITTEN CONSENT OF SUNRUN SOUTH LLC.



PARTS LIST		
ITEM	QTY	DESCRIPTION
1	1	SNAPRACK, UR-40 SPLICE TAPPED PRC, CLEAR
2	1	SNAPRACK, UR-40 SPLICE THRU PRC, CLEAR
3	2	SNAPRACK, SNAPLINK BONDING CLIP, TYPE 2, STEEL
4	1	BOLT, FLANGE, SERRATED, 5/16IN-18 X 1-3/4IN, SS

MATERIALS:	6000 SERIES ALUMINUM, STAINLESS STEEL	OPTIONS:
DESIGN LOAD (LBS):	N/A	CLEAR / BLACK ANODIZED
ULTIMATE LOAD (LBS):	N/A	
TORQUE SPECIFICATION:	12 LB-FT	
CERTIFICATION:	UL 2703, FILE E359313	
WEIGHT (LBS):	0.52	

DESCRIPTION:

SNAPNRACK, UR-40 SPLICE

DRAWN BY:

mwatkins

REVISION:

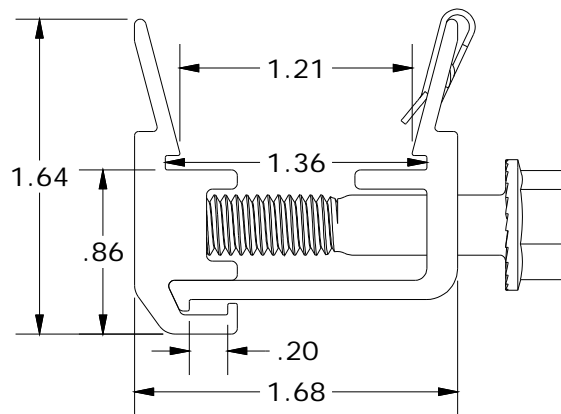
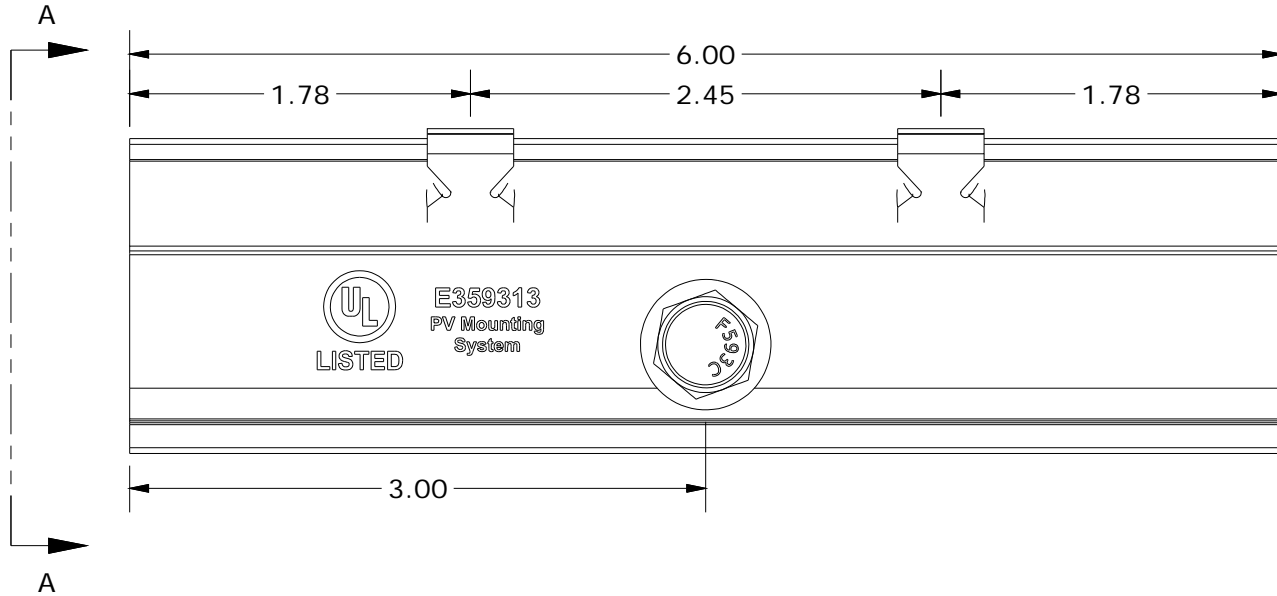
A

SnapNrack™
Solar Mounting Solutions

PART NUMBER(S):

242-01213, 242-01214

THE INFORMATION IN THIS DRAWING IS CONFIDENTIAL AND PROPRIETARY. ANY REPRODUCTION, DISCLOSURE, OR USE THEREOF IS PROHIBITED WITHOUT THE WRITTEN CONSENT OF SUNRUN SOUTH LLC.



VIEW A-A
SCALE 1 : 1

ALL DIMENSIONS IN INCHES