

DESCRIPTION:
SNAPNRACK, ULTRA RAIL HANGER BOLT CLAMP

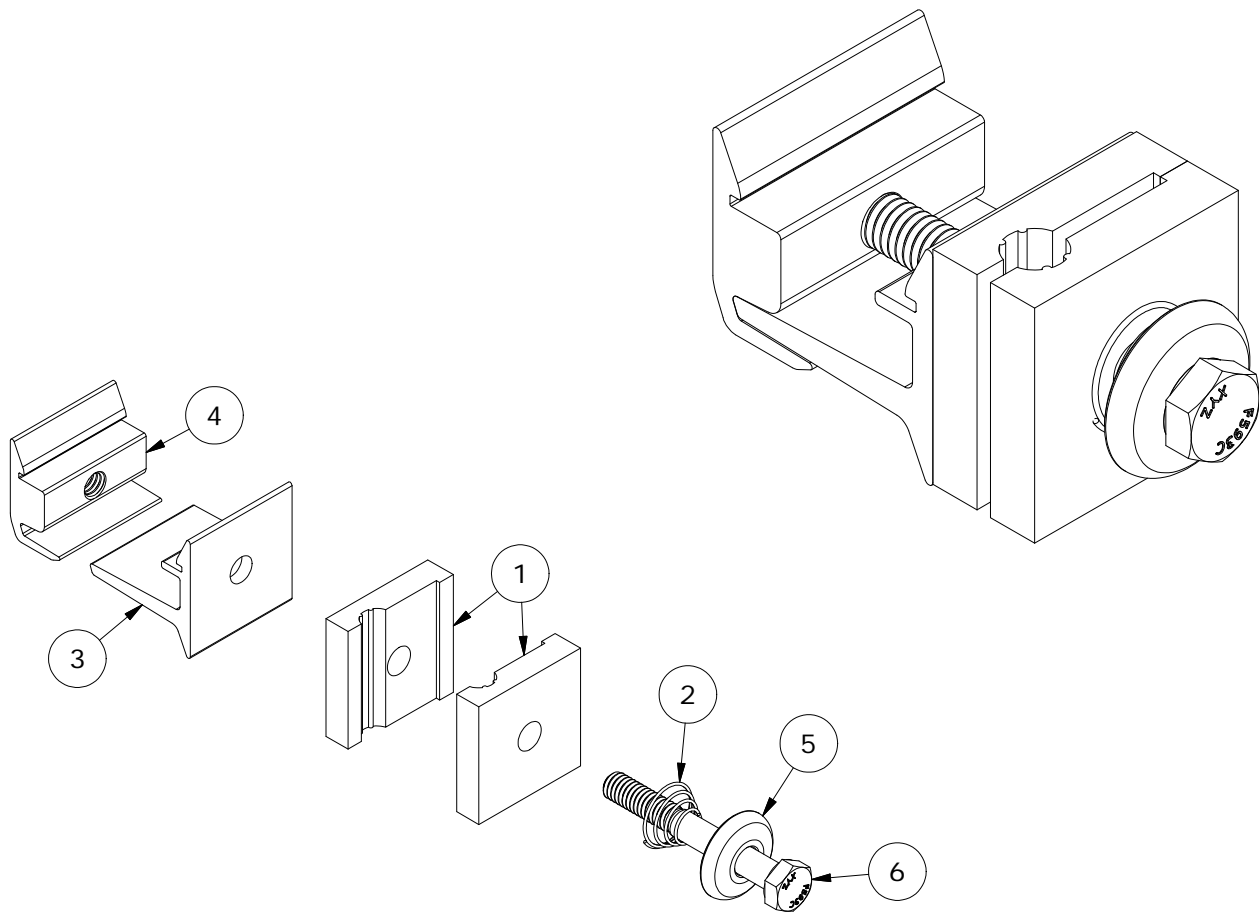
PART NUMBER(S):
242-01128

DRAWN BY:
 mwatkins

REVISION:
A

SnapNrack™
 Solar Mounting Solutions

THE INFORMATION IN THIS DRAWING IS CONFIDENTIAL AND PROPRIETARY. ANY REPRODUCTION, DISCLOSURE, OR USE THEREOF IS PROHIBITED WITHOUT THE WRITTEN CONSENT OF SUNRUN SOUTH LLC.



PARTS LIST		
ITEM	QTY	DESCRIPTION
1	2	SNAPNRACK, HANGER BOLT CLAMP
2	1	SNAPNRACK, ULTRA RAIL MOUNT SPRING
3	1	SNAPNRACK, ULTRA RAIL MOUNT THRU PRC, CLEAR
4	1	SNAPNRACK, ULTRA RAIL MOUNT TAPPED PRC, CLEAR
5	1	SNAPNRACK, ULTRA RAIL MOUNT SPRING CAGE
6	1	BOLT, HEX CAP, 5/16IN-18 X 2-1/2IN, SS

MATERIALS:	6000 SERIES ALUMINUM, STAINLESS STEEL	OPTIONS:
DESIGN LOAD (LBS):	318 UP, 394 DOWN, 417 SIDE	
ULTIMATE LOAD (LBS):	1192 UP, 1152 DOWN, 1500 SIDE	
TORQUE SPECIFICATION:	12 LB-FT	
CERTIFICATION:	UL 2703, FILE E359313	
WEIGHT (LBS):	0.33	

DESCRIPTION:

SNAPNRACK, ULTRA RAIL HANGER BOLT CLAMP

DRAWN BY:

mwatkins

REVISION:

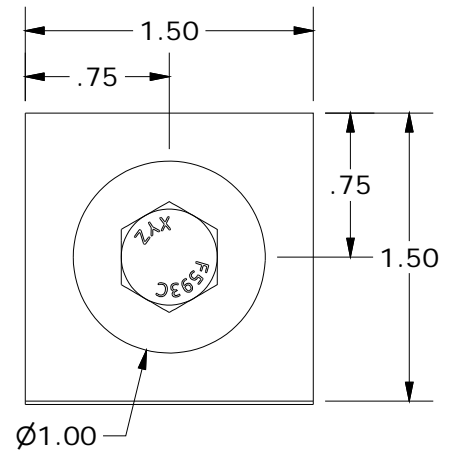
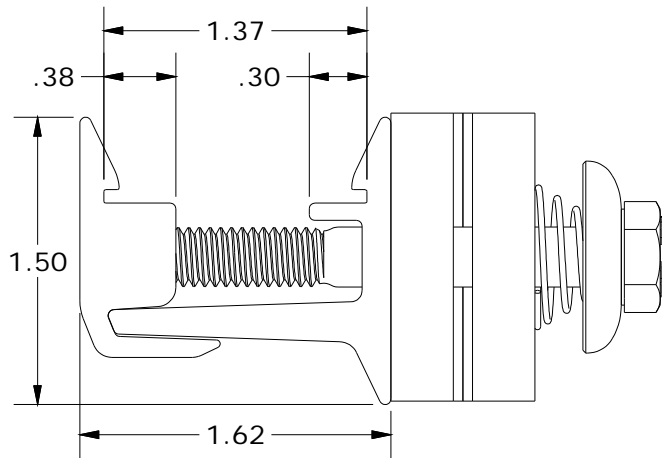
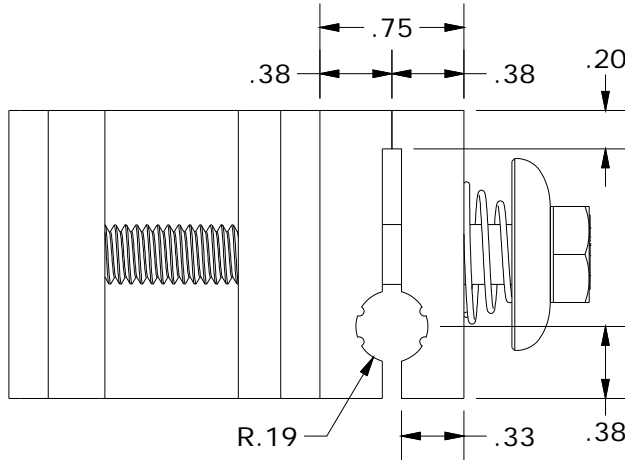
A

SnapNrack™
Solar Mounting Solutions

PART NUMBER(S):

242-01128

THE INFORMATION IN THIS DRAWING IS CONFIDENTIAL AND PROPRIETARY. ANY REPRODUCTION, DISCLOSURE, OR USE THEREOF IS PROHIBITED WITHOUT THE WRITTEN CONSENT OF SUNRUN SOUTH LLC.



ALL DIMENSIONS IN INCHES