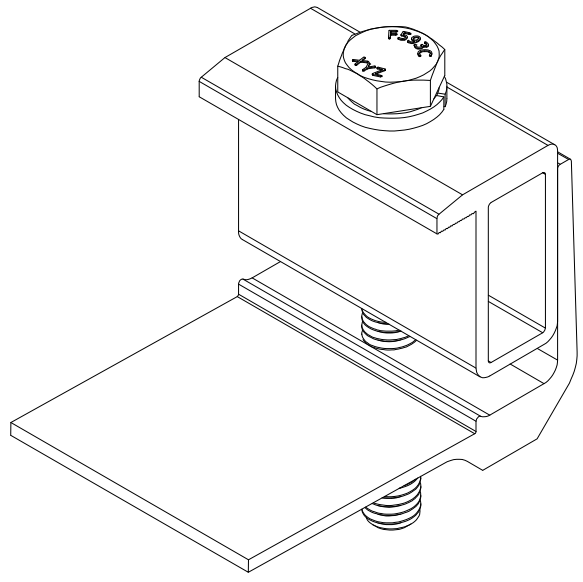
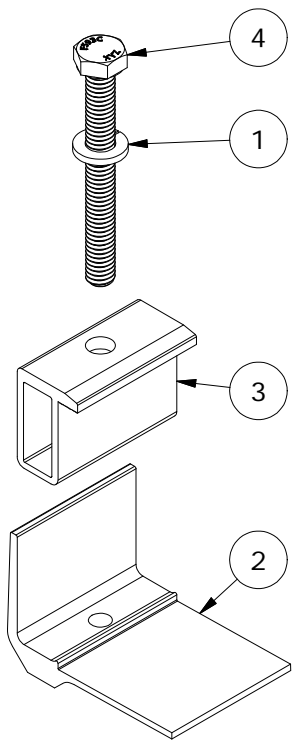


DESCRIPTION:  
**SNAPNRACK, ADD-A-LIP BOX FRAME ADAPTER**

PART NUMBER(S):  
**242-01101**

DRAWN BY:  
 mwatkins

REVISION:  
**A**



PARTS LIST		
ITEM	QTY	DESCRIPTION
1	1	5/16IN SS SPLIT LOCK WASHER BLACK
2	1	SNAPNRACK ARRAY EDGE SCREEN CLIP ADAPTER BLACK
3	1	SNAPNRACK SELF ADJUSTING END CLAMP TOP BLACK
4	1	BOLT, HEX CAP, 5/16IN-18 X 2-3/4IN, FULLY THREADED, BLACK, SS

MATERIALS:	6000 SERIES ALUMINUM, STAINLESS STEEL
DESIGN LOAD (LBS):	N/A
ULTIMATE LOAD (LBS):	N/A
TORQUE SPECIFICATION:	10+ LB-FT
CERTIFICATION:	N/A
WEIGHT (LBS):	0.21

DESCRIPTION:

SNAPNRACK, ADD-A-LIP BOX FRAME ADAPTER

DRAWN BY:

mwatkins

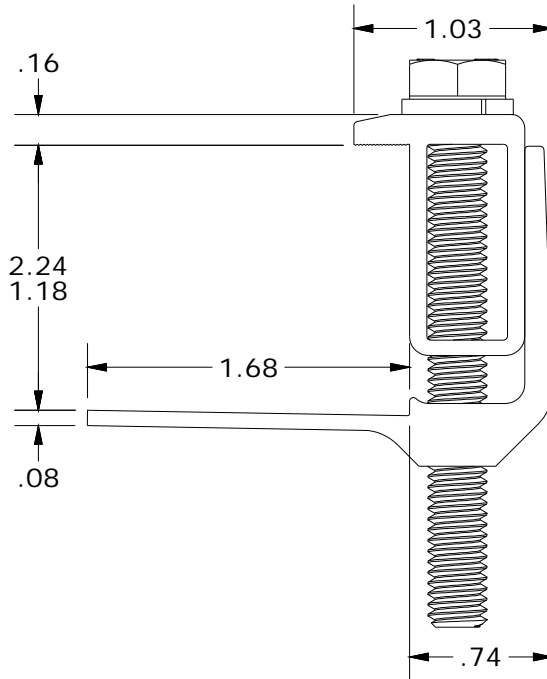
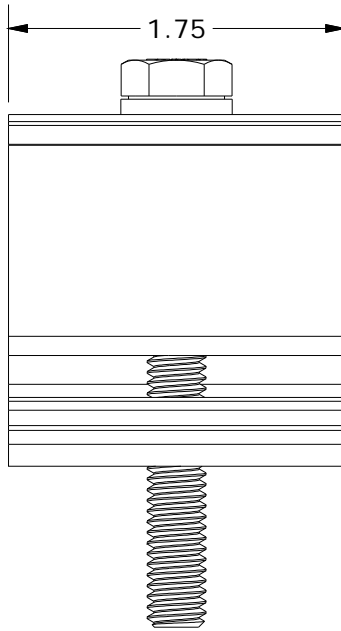
REVISION:

A

SnapNrack™  
Solar Mounting Solutions

PART NUMBER(S):

242-01101



ALL DIMENSIONS IN INCHES