

DESCRIPTION:
SNAPNRACK, TDS, OMNISHIELD

DOC NUMBER:
SNR-DC-01327

SnapNrack®

PART NUMBER(S):
232-10042

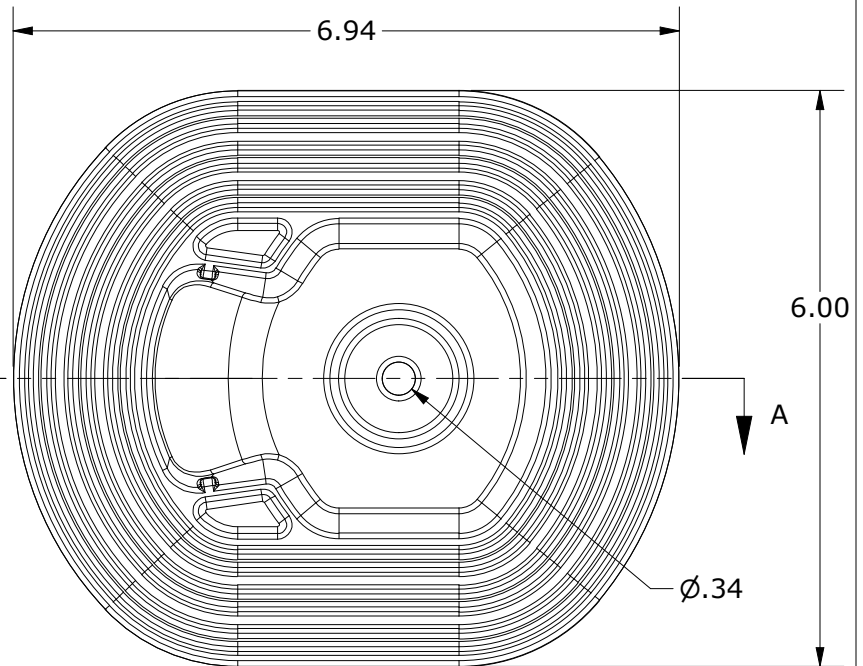
DRAWN BY:
H.WULFEKOETTER

REV: **B** DATE:
1/24/2023

UNITS: IN, LB, DEG [MM, KG, DEG] SHEET: 1:1



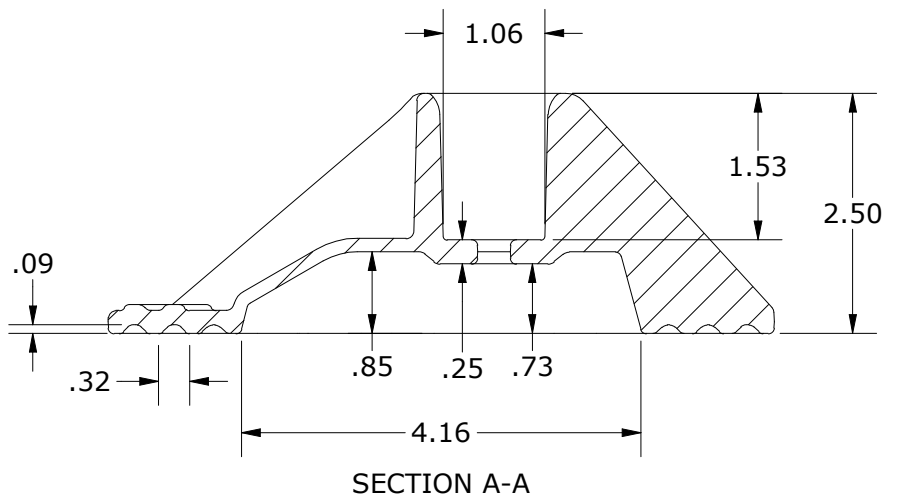
ISO BOTTOM



BOTTOM



ISO TOP



SECTION A-A

MATERIALS: A380 ALUMINUM

DESIGN LOAD (LBS): VARIES, REFER TO SNAPNRACK ENGINEERING

ULTIMATE LOAD (LBS): VARIES, REFER TO SNAPNRACK ENGINEERING

TORQUE SPECIFICATION: 12 FT-LBS

CERTIFICATION: UL2703 FILE E359313, ASTM E2140

WEIGHT (LBS): 1.183