

SnapNrack™

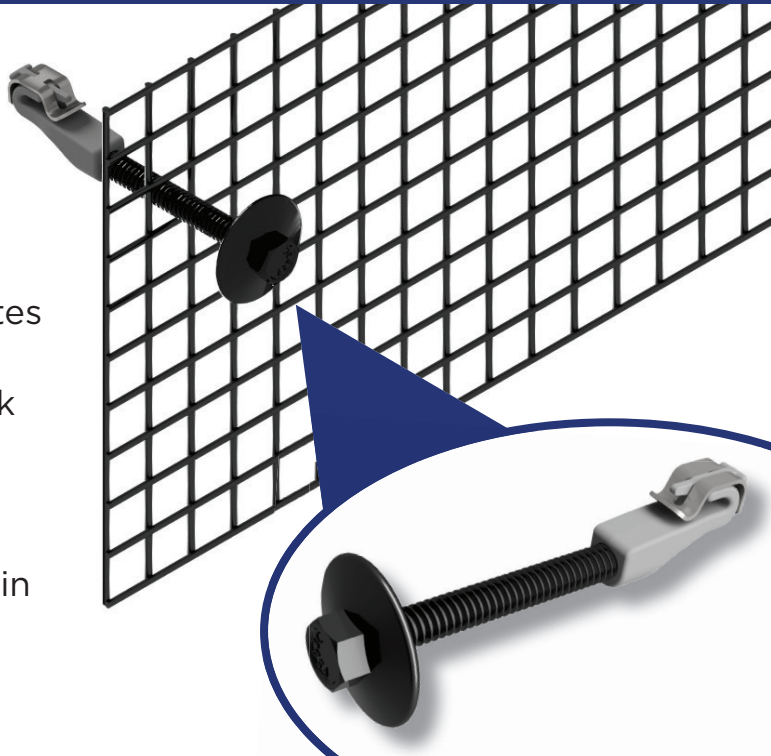
Solar Mounting Solutions

Array Edge Screen

NEW Edge Screen Fasteners feature hands-free tightening with a wide flange bolt for a secure grip to module

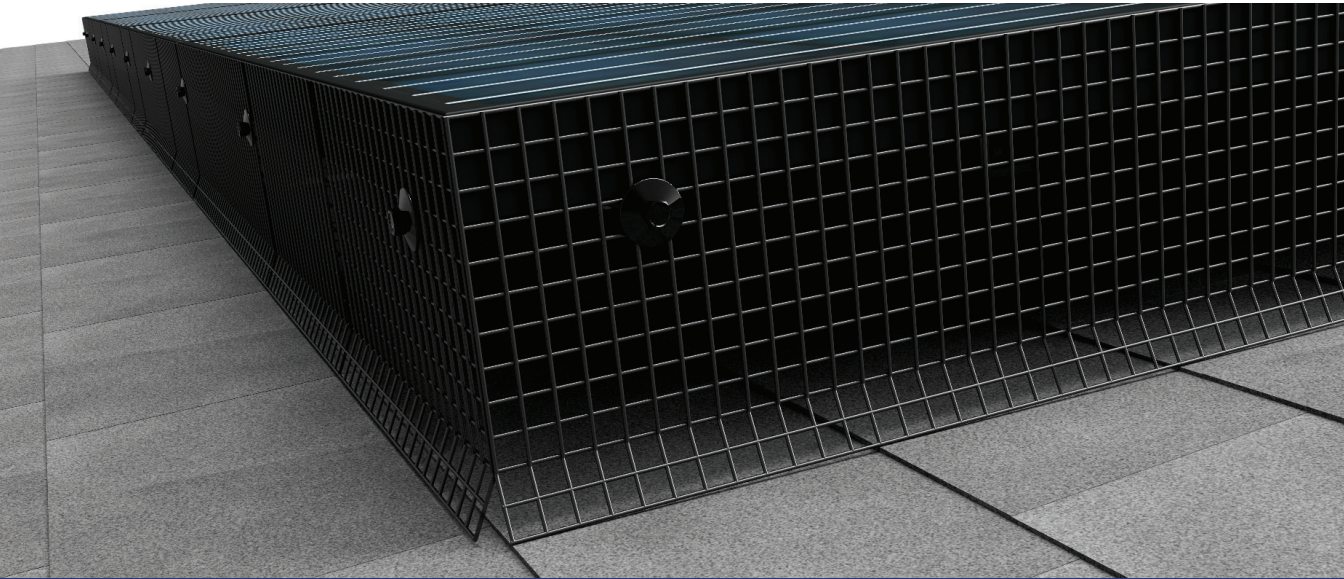
- The low profile frame nut creates an easy & secure installation
- The clip feature keeps the hook engaged while the screen is secured
- Compatible with both 4" & 8" Array Edge Screens (available in 100 ft rolls)

Available to Order Now!



SnapNrack Array Edge Screen

is an innovative way to guard against critter & debris build up under new & existing solar arrays without damaging arrays or reducing production. The Array Edge Screen installation is a single tool process with an open wire frame that allows for air flow, ensuring modules remain cool.



SnapNrack
Solar Mounting Solutions