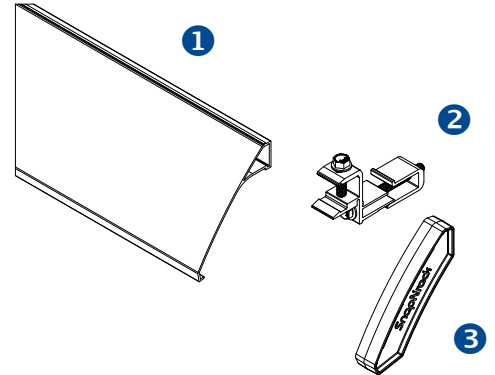


Universal Skirt Installation Manual

Materials Included:

- ❶ SnapNrack Universal Skirt; 6000 series aluminum, single landscape 70", double portrait 83"
- ❷ SnapNrack Universal Skirt Mount assembly; Stainless Steel bolts, 6000 series aluminum clamping hardware, compatible with all module frames
- ❸ SnapNrack Universal Skirt Splice & End Cap; molded plastic, used to link sections of Universal Skirt, serves as an end cap



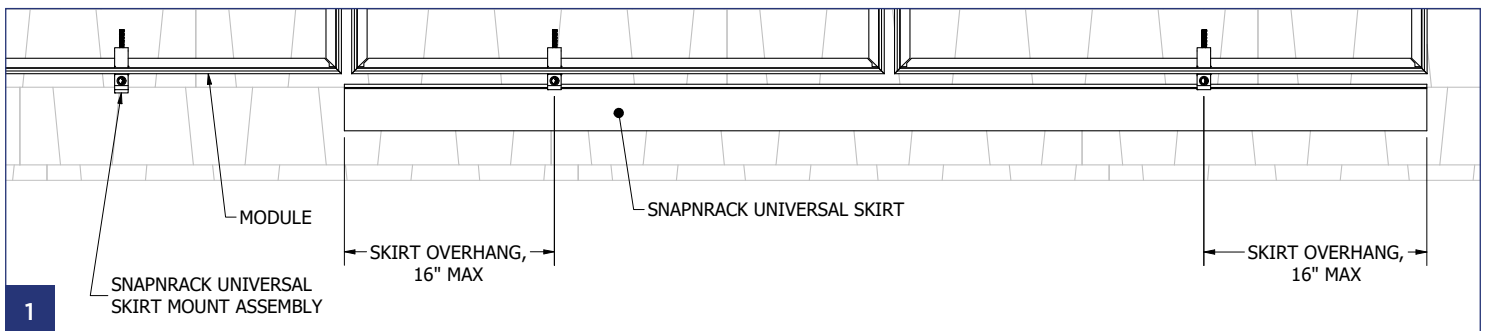
Required Tools

- Socket Wrench
- Circular Saw or Portable Band Saw
- Torque Wrench
- Tape Measure
- ½" socket

⚠ Install Note

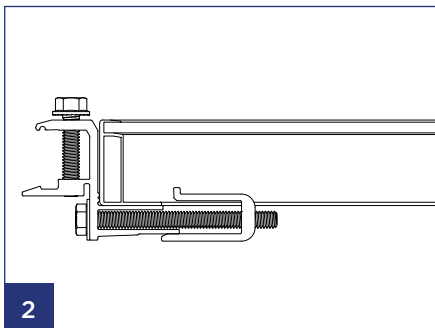
Torque all bolts to 6-7 Ft-lbs

Installation Instructions

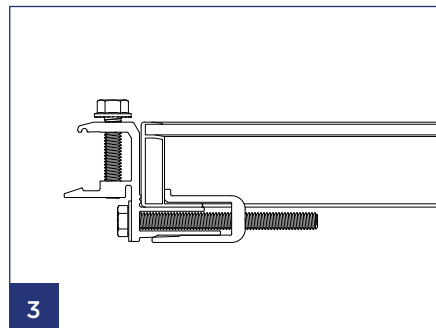


Attach Universal Skirt Mounts based on the following skirt overhang rules:

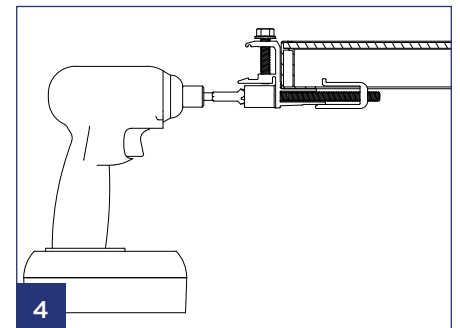
- ❶ 2 mounts per skirt; under 90 PSF snow load, 16" maximum overhang
- ❷ 3 mounts per skirt; 90 PSF snow load and above, 12" maximum overhang.



With the bolt backed out, rest the flat top side of the skirt mount onto the bottom edge of the module frame.

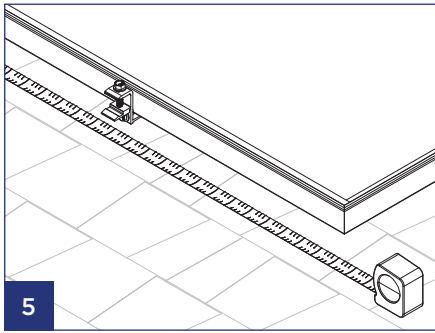


Sandwich module frame with two halves of skirt mount, ensuring that the shorter end of extrusion is facing up.

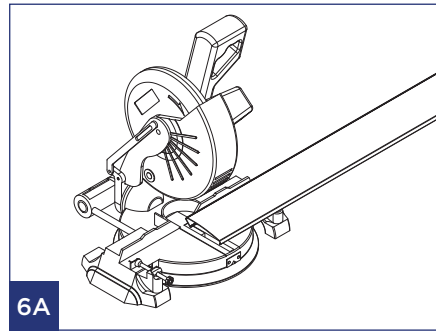


Finalize placement of skirt mount and torque hardware to 5-6 ft-lb.

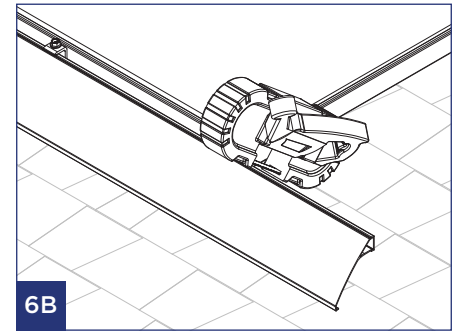
Universal Skirt Installation Manual



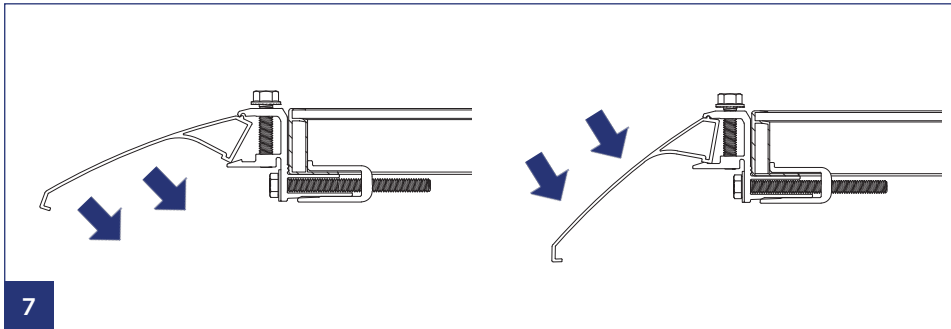
5
Determine length(s) of array skirt needed for array(s).



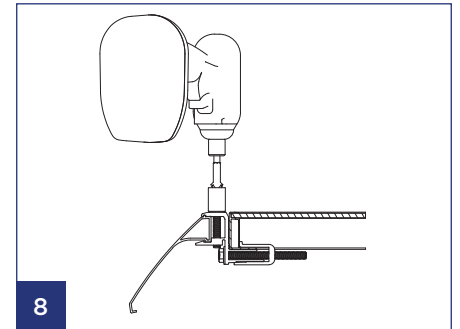
6A
If cutting skirts prior to installation, a circular saw with an appropriate metal-cutting blade is recommended.



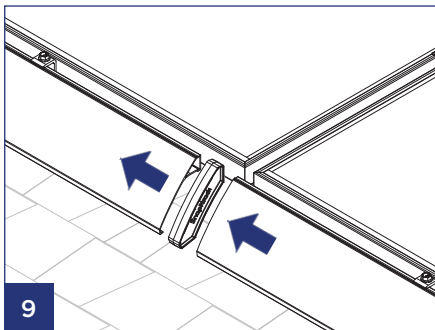
6B
If cutting skirts after installation, a portable band saw is recommended.



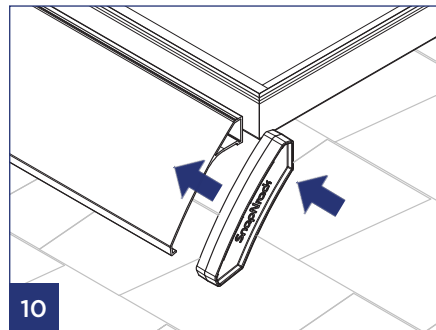
7
(1) Pull Universal Skirt up into top of Skirt Mount, (2) then push the Skirt down to snap it into the mount.



8
Finalize placement of Universal skirt and torque skirt clamp hardware to 5-6 ft-lb.



9
Install Universal Splice Cap by pushing the Splice on to one section of the Universal Skirt, then with the clamping bolts slightly loose, slide the other section into the Splice.



10
Use the Universal Splice Cap on the ends of Universal Skirt by pushing the caps onto skirt ends.