

RL System Wire Management Solutions



Industry Leading Wire Management Solutions built into the SnapNrack RL System



Simple design allows the system to be installed by a single installer on the roof



System designed with maximum versatility for any arrays including staggered



Drop-in features make the install process intuitive and fast



Easier logistics through simple box packaging and no long rails

**Start Installing RL System
Wire Management Solutions Today**

SnapRack Wire Management Solutions

for the RL system provide all the necessary means of managing wires and cables in your solar array. Products are specifically engineered to manage module leads, cables, and electronic equipment so that you have a solution for every component of the rooftop installation.

Smart Clip I & II

- Unlike traditional wire clips, the Smart Clip holds wires securely above the module flange, preventing them from being loosened or damaged during wire management
- Available in two configurations for securing 1 or 2 module leads

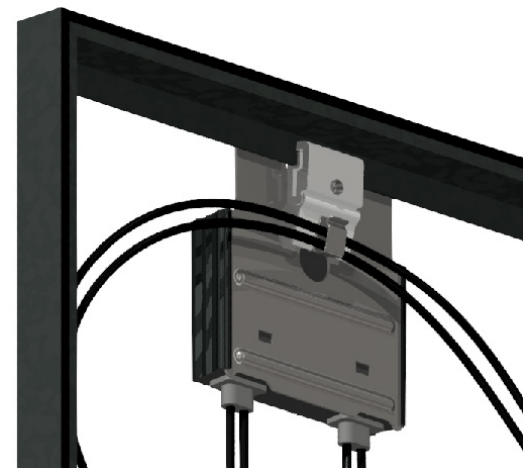


Wire Saver

- Ideal for post-installation or post-inspection, the Wire Saver, allows installers to fix loose wires without removing modules

MLPE Frame Attachment Kit

- Integrated Smart Clip allows installers to tuck away wires and cables, helping to eliminate excessive clips along the module frame.
- All-aluminum Bracket-to-Frame contact provides superior hold and anti-rotation features



Quality. Innovative. Superior.

SnapRack Solar Mounting Solutions are engineered to optimize material use and labor resources and improve overall installation quality and safety.