

JMS-F SUNSPEC RAPID SHUTDOWN DEVICE



IMAGE FOR ILLUSTRATIVE PURPOSES ONLY

Cost-effective

- Simple plug-and-play installation
- No additional components necessary, reducing balance of system costs

Simple and robust

- Power line based communication certified for compatibility with the SunSpec signal for rapid shutdown
- Shuts down PV module whenever SunSpec signal is interrupted

Safe and certified

- Certified and listed for compliance to:
 - › UL 1741 Rapid Shutdown System Equipment
 - › NEC 2017 690.12(B)(2) Module Level Shutdown

Reduced risk

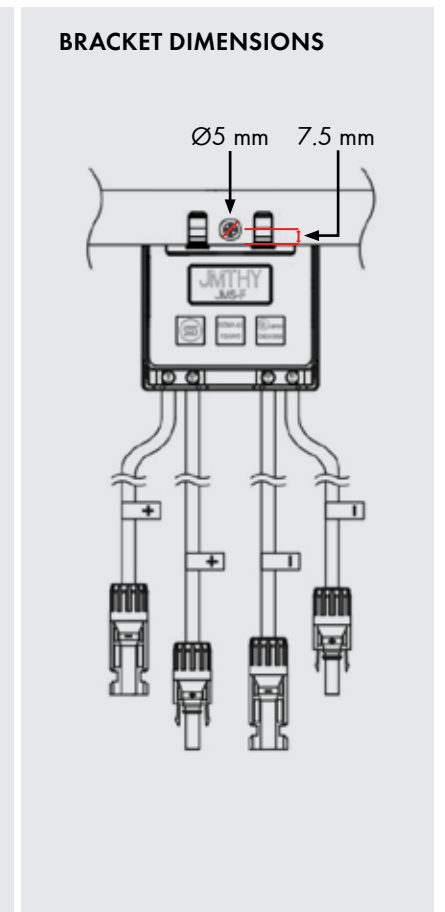
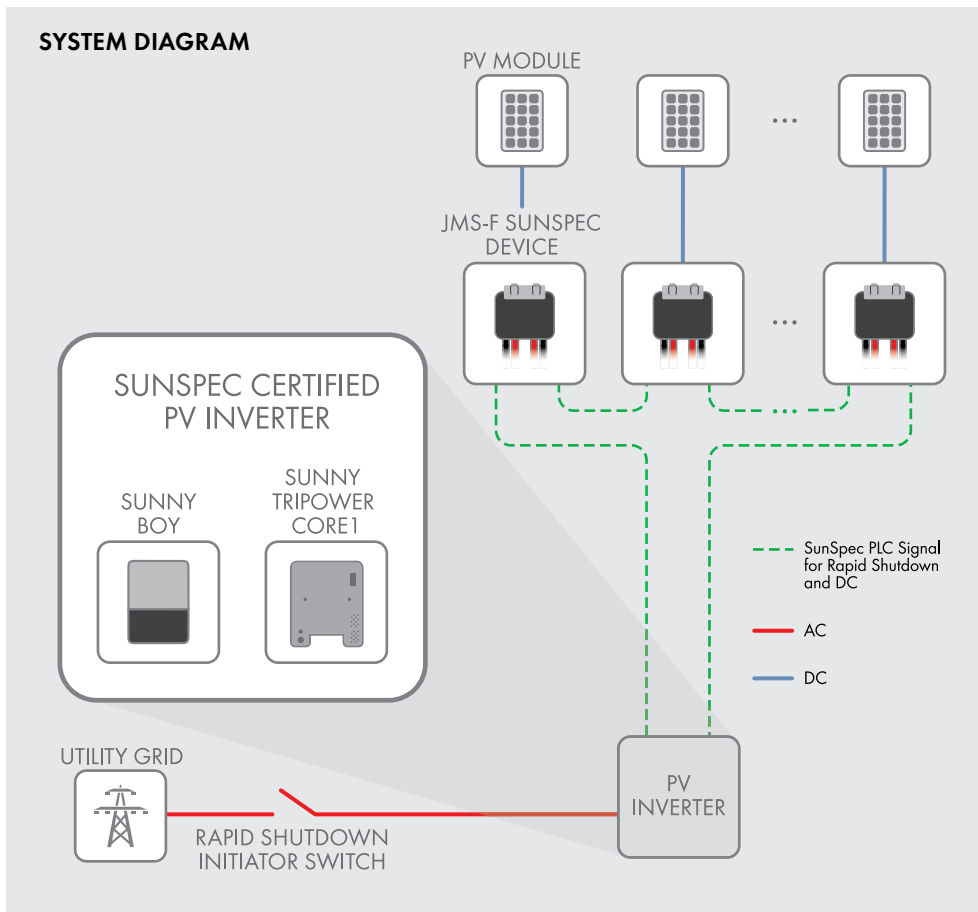
- Technical support from SMA's #1 ranked service organization
- Fully SunSpec certified solution when paired with an SMA SunSpec certified inverter

JMS-F SUNSPEC RAPID SHUTDOWN DEVICE

The easy module level rapid shutdown solution

The SunSpec Certified Rapid Shutdown System (model JMS-F), available from SMA, is the most cost-effective and reliable solution for fulfilling NEC 2017 module level shutdown requirements. The module-level device is certified for compatibility with the SunSpec communication signal and SMA inverters, making compliance simple and easy. By using the existing DC lines between the inverter and PV array for power line communications, installation and labor are significantly reduced. No additional wires or communication equipment is needed. The solution also features up to 50% fewer internal components vs alternatives, resulting in greater lifetime reliability.

Technical data	JMS-F
Input (DC)	
Rated DC input power	420 Wp
Maximum PV module open circuit voltage	60 V
Minimum input voltage	14 V
Maximum continuous input current I_{MAX}	15 A
Maximum short-circuit input current I_{SC}	15 A
Output (DC)	
Output power range	0 W to 420 W
Maximum output voltage	60 V
Standby output voltage	1 V
Maximum system voltage	1500 V
Allowable series string connections	6 to 30 JMS-F devices
Mechanical	
Dimensions L / W / H in mm (in)	89 x 88.5 x 16.5 (3.5 x 3.48 x 0.65)
Weight (including cables)	1 lb (450 g)
Input / output connector	MC4
Output wire length	1.2 m
Operating temperature range	-40°C to +75°C (-40°F to +167°F)
Enclosure rating	Type 4X (as per UL 50E)
Relative humidity	0% to 100%
Features and compliance	
Certification	UL 1741 Rapid Shutdown Equipment
Communication mode	Power Line Communication (PLC)
SunSpec Rapid Shutdown Communication Protocol	SunSpec certified
Rapid shutdown time	10 seconds
Warranty (contact SMA Service Line)	2.5 years
SunSpec certified SMA inverters	Sunny Boy US (SBx.x-1SP-US-41) Sunny Tripower CORE1-US (STP xx-US-41)
Type designation	JMS-F
SMA part number	119814-00.01
Package quantity	40



SMA SunSpec SDD Sen-17 SMA and Sunny Boy are registered trademarks of SMA Solar Technology AG. JMSF manufactured by JMTHY Technology Co. Ltd., China for SMA America, LLC. Printed on FSC-certified paper. All products and services described as well as technical data are subject to change, even for reasons of country-specific deviations, at any time without notice. SMA assumes no liability for errors or omissions.