

S-5!®

The Right Way!®

WindClamp™

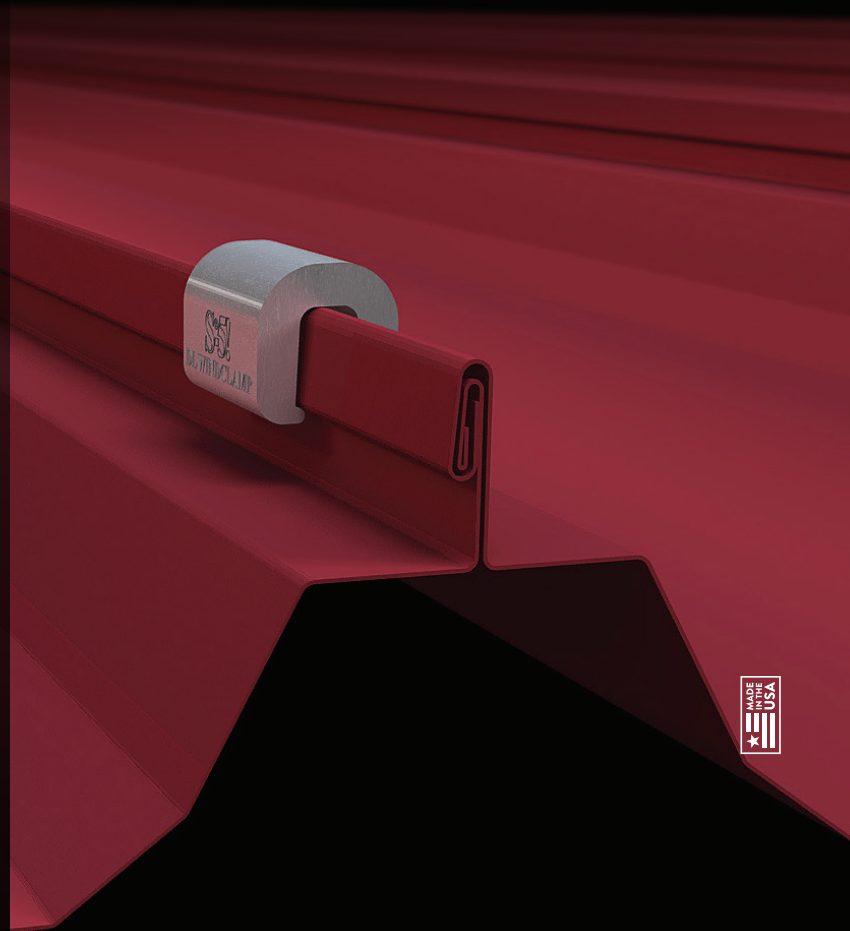
The right way to increase wind resistance of standing seam!

WindClamp™

With ever-increasing frequency and magnitude of wind events throughout the U.S. and elsewhere, an existing roof is more likely to experience localized or total failure as wind forces try to tear the roof from its mountings.

“WindClamp” is S-5’s trademark brand of external seam clamp. Placed over the seam at designated intervals, the WindClamp is specifically designed to prevent the common modes of wind failure of standing seam and other concealed-fastened metal roofs.

- Male-to-female seam separation
- Total separation from the mounting clips

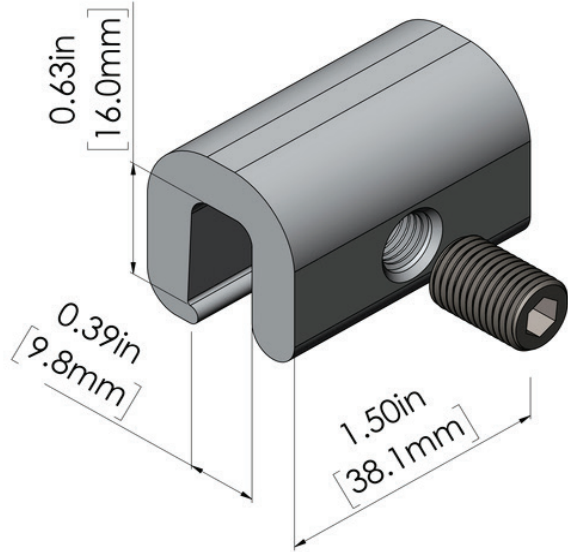
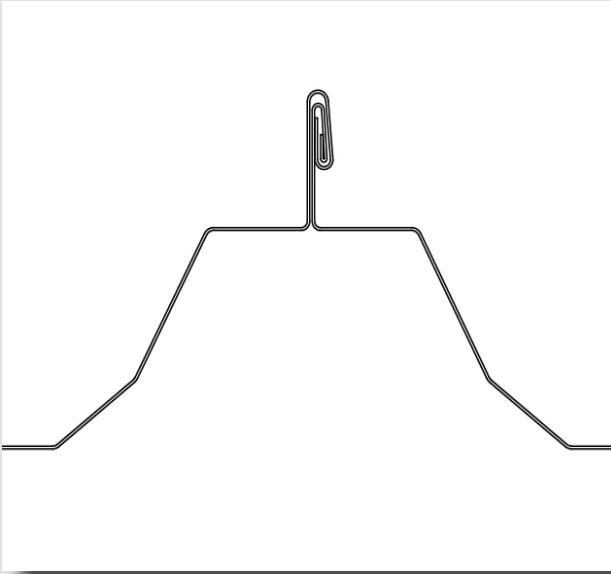


WindClamps can significantly increase the wind resistance of your roof system.

WindClamp DL

Double-Lok

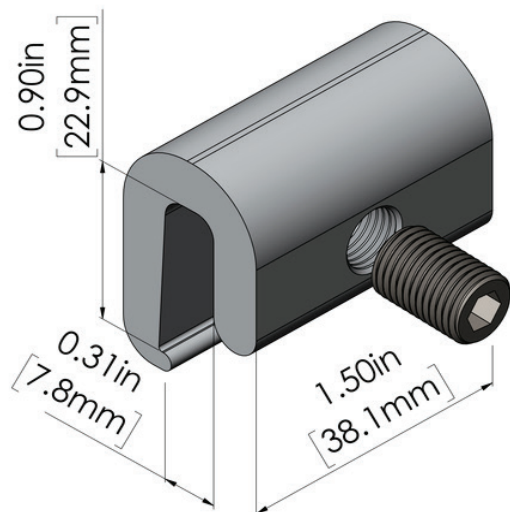
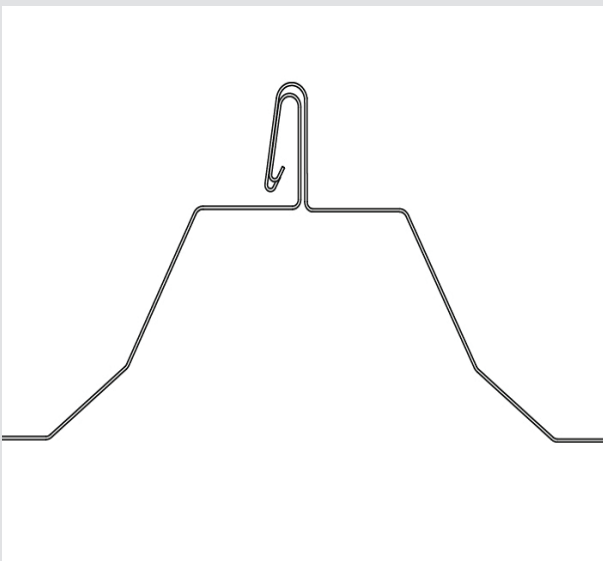
Designed for **MBCI® Double-Lok®** and similarly-dimensioned profiles



WindClamp UD

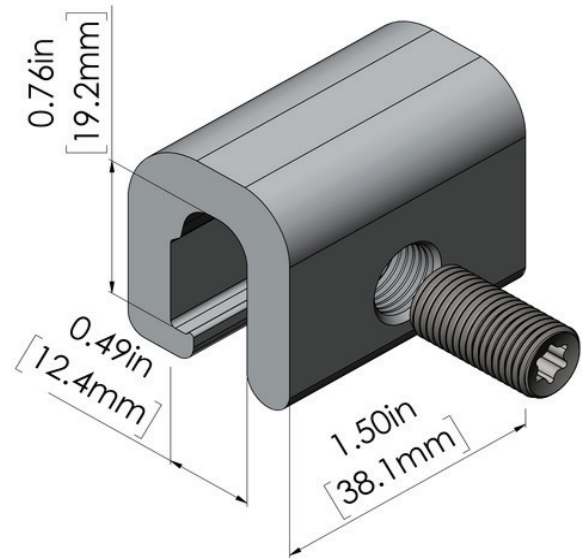
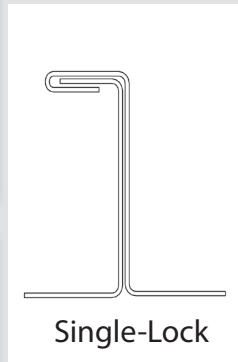
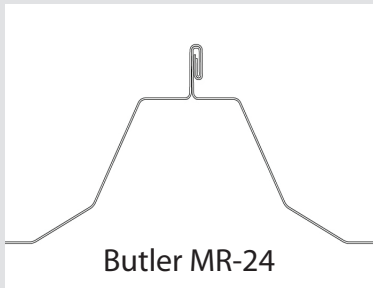
Ultra-Dek

Designed for **MBCI® Ultra-Dek®** and similarly-dimensioned profiles



WindClamp 2X

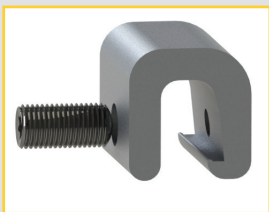
Ideal solution for a variety of double-folded standing seam including **Butler® MR-24®** and **Varco Pruden™ SSR™**



For roofing profile compatibility with the WindClamp 2X

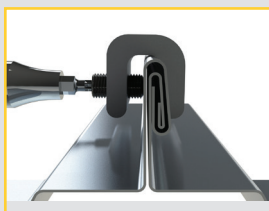
WindClamp™ Installation is Quick & Easy!

1

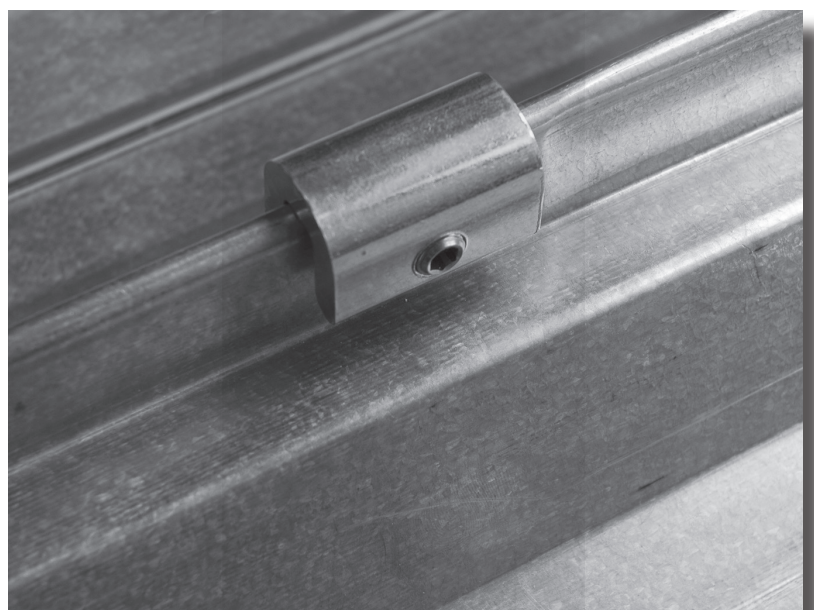


Partially thread the setscrew into the clamp by hand.

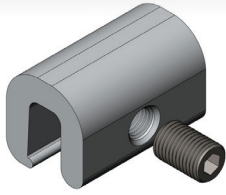
2



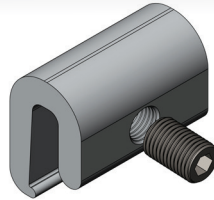
Position clamp over seam at the desired location and tighten the setscrew to recommended tension using a screw gun and provided screw gun bit tip.



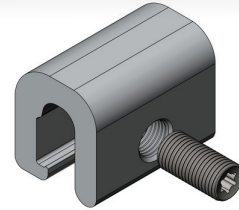
When it comes to wind resistance, WindClamps provide superior performance for substantially lower cost.



WindClamp DL



WindClamp UD



WindClamp 2X



Advantages of Installing WindClamps™

Existing Construction

- Bring construction into ASCE 07-16 and Loss Prevention Data Sheet (FM 1-31) design compliance without costly structural changes
- Retrofit from exterior: no disruption to building occupancy and far less costly than roof replacement

New Construction

- When WindClamps are part of the initial design of the building, they can drastically decrease the cost of construction materials.
- Increase in failure pressures as much as 300% depending on panel profiles, gauge and purlin spacing

- Proven effective for more than 25 years
- Preserves roof's thermal cycling integrity
- Preserves roof warranties
- Costs only pennies per square foot - More cost-effective than other alternatives such as:
 - adding clips
 - adding structural elements
 - increasing panel gauge
 - decreasing panel width (seam spacing)
 - partial roof replacement
 - total roof replacement

S-5!® Warning! Please use this product responsibly!

Products are protected by multiple U.S. and foreign patents. For published data regarding fastener torque, patents and trademarks, visit the S-5! website

Copyright 2021, Metal Roof Innovations, Ltd. S-5! products are patent protected. S-5! aggressively protects its patents, trademarks, and copyrights. 040221