

The right way to attach almost anything to metal roofs!

S-5![®]

The Right Way!

S-5-K Grip[™] Clamp

The S-5-K Grip[™] clamp was specifically developed to fit Klip-Rib[®] and other bulb snap-together seams. The design utilizes multiple inserts (sold separately) in order to accommodate a variety of bulb snap-together profiles. Each insert has a unique shape that allows for a tight fit and provides increased holding strength over other attachment options.

The S-5-K Grip also eliminates the large moment arm other clamps use for these profiles. Instead, it features a low mounting surface area, with the mounting bolt directly over the center of the seam. This dramatically increases the strength of the clamp, making it perfect for use with heavy-duty applications.

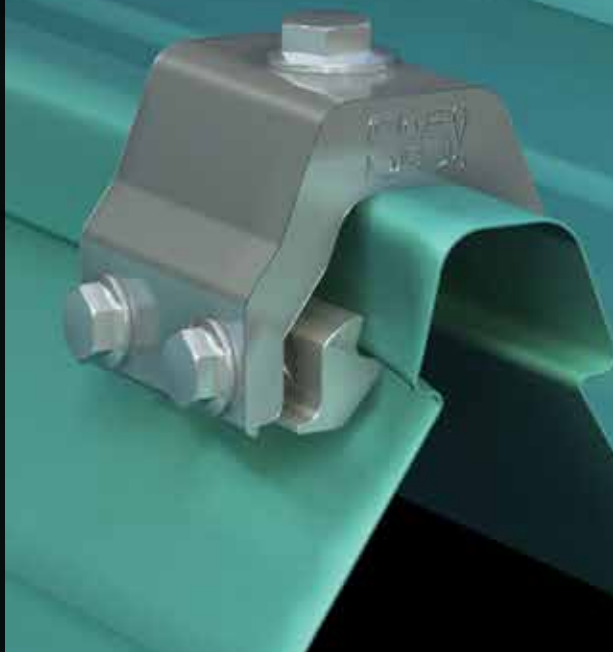
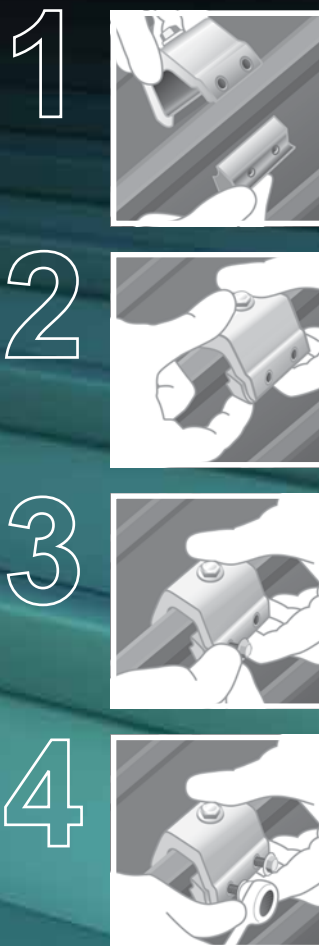
The head of the flanged bolts control the amount of compression, which reduces the possibility of over-compressing the seam, and makes installation a snap!

Just place the clamp on the seam, position the insert piece, and tighten the flanged bolts at the base. Then, affix ancillary items using the top bolt provided. Go to: www.S-5.com/tools for information about properly attaching S-5![®] clamps.

S-5-K Grip[™] Mini Clamp

The S-5-K Grip Mini is a bit shorter than the S-5-K Grip and has one base bolt rather than two. The mini is the choice for attaching all kinds of rooftop accessories: signs, walkways, satellite dishes, antennas, rooftop lighting, lightning protection systems, solar arrays, exhaust stack bracing, conduit, condensate lines, mechanical equipment—just about anything!*

*S-5! mini clamps are not compatible with, and should not be used with, S-5! SnoRail[™]/SnoFence[™] or ColorGard[®] snow retention systems.



The S-5-K Grip[™] was specifically developed to fit Klip-Rib[®] and other bulb snap-together seams.

S-5-K Grip[™] and S-5-K Grip[™] Mini



S-5![®]

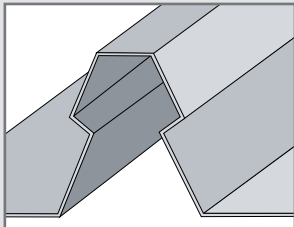
The Right Way!

The S-5-K Grip™ eliminates the large moment arm and features a low mounting surface area with the mounting bolt directly over the center of the seam, which dramatically increases the strength of the clamp.

The S-5-K Grip™ and S-5-K Grip Mini clamps are each furnished with the hardware shown to the right. A structural aluminum attachment clamp, the S-5-K Grip is compatible with most common metal roofing materials excluding copper. All included hardware is stainless steel.

The S-5-K Grip clamp has been tested for load-to-failure results on a variety of standing seam roof profiles from leading panel manufacturers. The independent lab test reports found on our website prove that S-5![®] holding strength is unmatched in the industry.

Example Profile Insert Options



Profiles

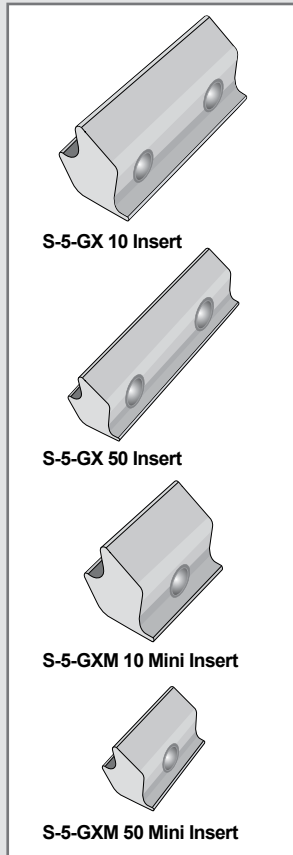
S-5-GX 10 or S-5-GX 10 Mini

- LYSAGHT KLIP-LOK[®] 406
- McElroy Metal Mirage
- AEP Span Klip-Rib[®]
- Metal Sales Clip-Loc
- SpeedDeck[®] SpeedDeck[®]
- Safintra Saflok 410
- Safintra Saflok 700
- And other similar profiles

S-5-GX 50 or S-5-GX 50 Mini

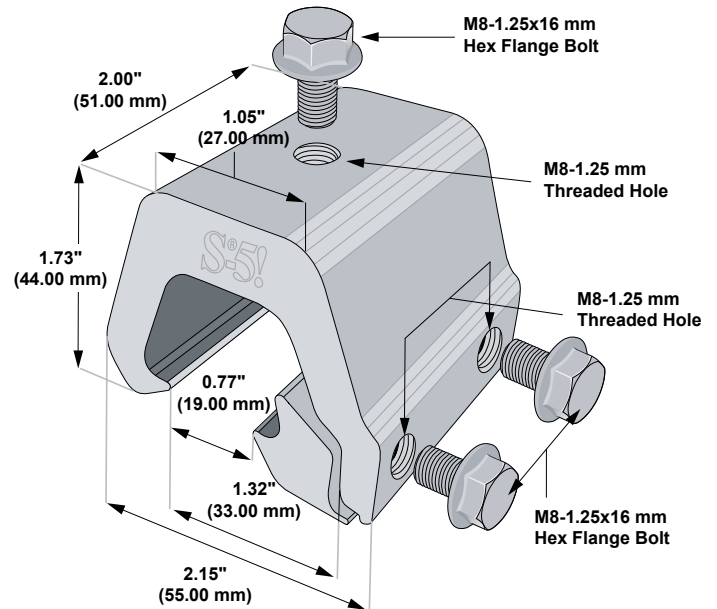
- LYSAGHT KLIP-LOK Classic[®] 700
- LYSAGHT KLIP-LOK 700 Hi-Strength[®]
- Stramit Speed Deck Ultra[®]
- Fielders KingKlip[®] 700
- And other similar profiles

If you have a profile not listed here, please contact S-5! to request a sample for testing.



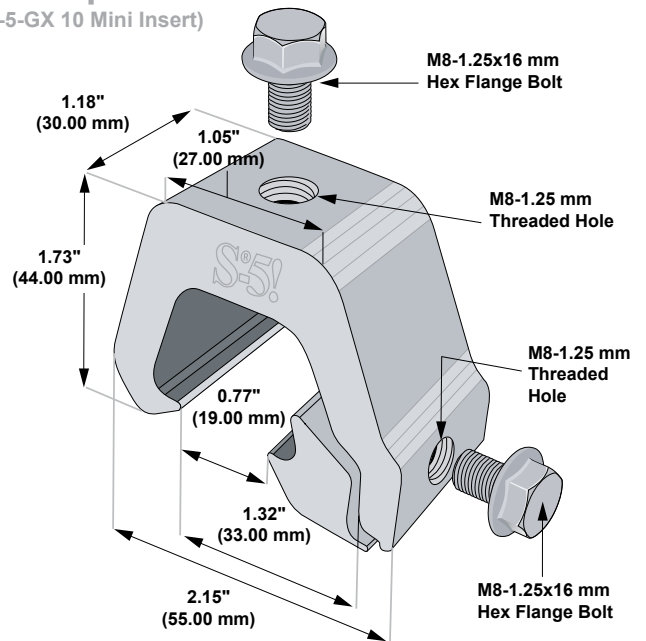
S-5-K Grip™

(With S-5-GX 10 Insert)



S-5-K Grip™ Mini

(With S-5-GX 10 Mini Insert)



Please note: All measurements are rounded to the second decimal place.

S-5![®] Warning! Please use this product responsibly!

Products are protected by multiple U.S. and foreign patents. For published data regarding holding strength, fastener torque, patents, and trademarks, visit the S-5!

Copyright 2015, Metal Roof Innovations, Ltd.
S-5! aggressively protects its patents, trademarks and copyrights. Version 052115.