

S-5!®

The Right Way!™

CorruBracket 100T PV™

CorruBracket 100T PV is your solar solution for corrugated roofing profiles common in North America and is compatible with 7/8" and 3/4" tall and 2.67" crest to crest corrugated roofing profiles.

Faster Installation with the PVKIT™ 2.0

Dimension from the bottom of the roof profile to the module glass is over 4+ inches providing ample height for solar panel attachment. The 100T PV seamlessly integrates with the PVKIT 2.0 to accommodate a rail-less PV attachment.

PVKIT integration also significantly reduces jobsite logistics - with no need for large van or truck for material transport, minimal roof staging (without rails), and a lay and play module to roof assembly resulting in up to 50% faster installation time. All mounting hardware for a 10kW system weighs less than 35 lbs. - carry it up the ladder in your pack!

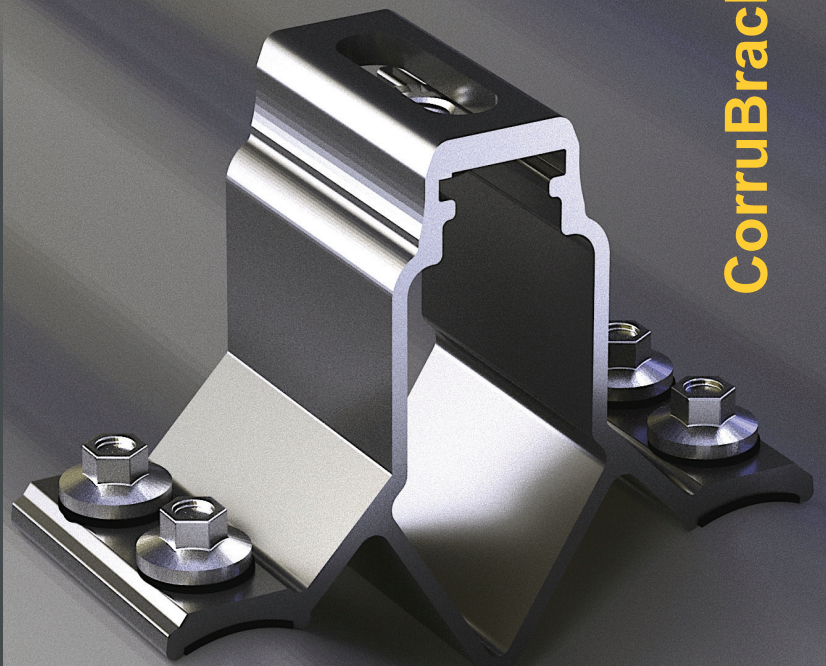
Attachment Flexibility

Affixed to the crest of the corrugation, CorruBracket 100T PV leaves the drainage plane free of holes to protect against leaks. This bracket can be attached directly to the sheeting, accommodating attachment anywhere along the corrugation making module layout a snap.

EPDM = No mess waterproofing = Outlasts the life of the roof

With no messy onsite sealants to apply, CorruBracket 100T PV comes with a factory-applied EPDM rubber gasket seal on the base for reliable weathertightness.

The S-5! patented "V" configuration of this part prevents over-compression of the ribs under load and the reservoir conceals the EPDM from exposure, preventing UV degradation.



CorruBracket 100T PV™



The right way to attach almost anything to metal roofs!

Features and Benefits

- Open channel for wire containment/management
- Bracket allows glass to sit 4+ inches above valley of corrugation
- Bracket can be fixed into sheeting-only allowing module placement anywhere on roof
- Slotted top hole offers over 1 inch of adjustability
- 6000 Series AL; 300 Series SS hardware
- PVKIT™ 2.0 compatible
- Factory-applied EPDM for no-mess waterproofing
- EPDM reservoir for protection from harmful sunlight and to prevent over-compression of waterproofing
- Allows for attachment of micro inverters and/or optimizers

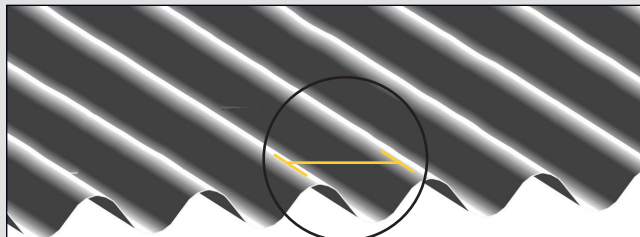
S-5![®]

The Right Way![™]

Use the CorruBracket 100T PV for almost any attachment needed on 7/8" and 3/4" tall and 2.67 inches crest to crest corrugated metal roofing. Seamlessly combine with the PVKIT 2.0 for the most cost-effective PV mounting solution for corrugated roofs.

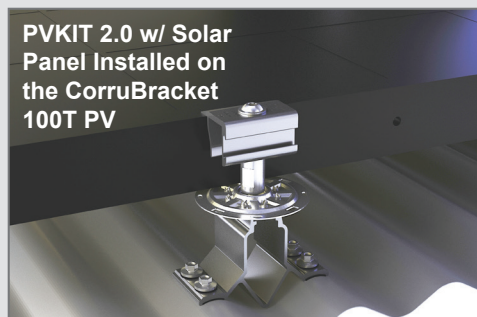
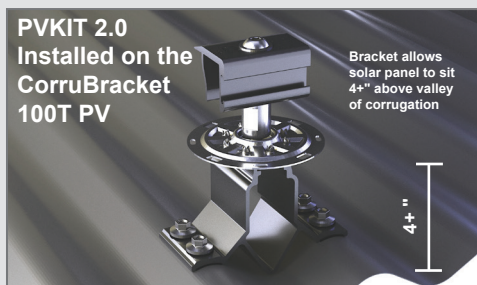
The CorruBracket 100T PV is a structural aluminum attachment bracket and is compatible with most common metal roofing materials. For design assistance, ask your distributor, or visit www.S-5.com for the independent lab test data that can be used for load-critical designs and applications. Also, please visit our website for more information including CAD details, metallurgical compatibilities, and specifications. S-5! holding strength is unmatched in the industry.

Example Profile

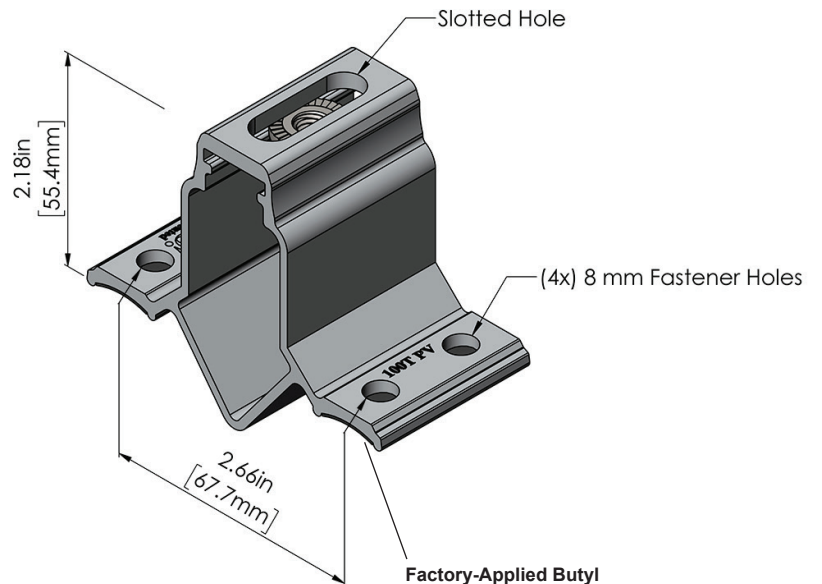


Fits Profiles 2.67" - Crest to Crest Width

Example Applications

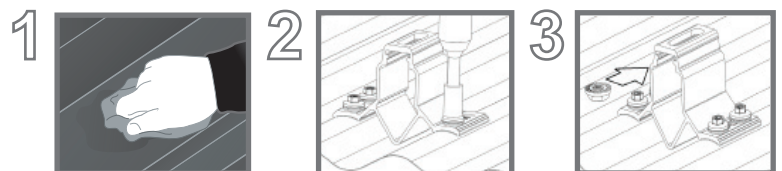


CorruBracket 100T PV[™]



Please note: All measurements are rounded to the second decimal place. Contact your distributor for information about hardware requirements.

Installation is Simple!



- **No surface preparation** necessary
- Simply wipe away excess oil and debris, align, and apply
- Secure directly into crest of corrugation by driving appropriate screws through bracket holes into roofing sheet
- **CorruBracket 100T PV** is mounted directly into the crest of the corrugation, straddling the valley

S-5![®] Warning! Please use this product responsibly!

Products are protected by multiple U.S. and foreign patents. For published data regarding holding strength, bolt torque, patents and trademarks visit the S-5!!