

Accessory Frame Bracket

For mounting module level electronics to standard module frames



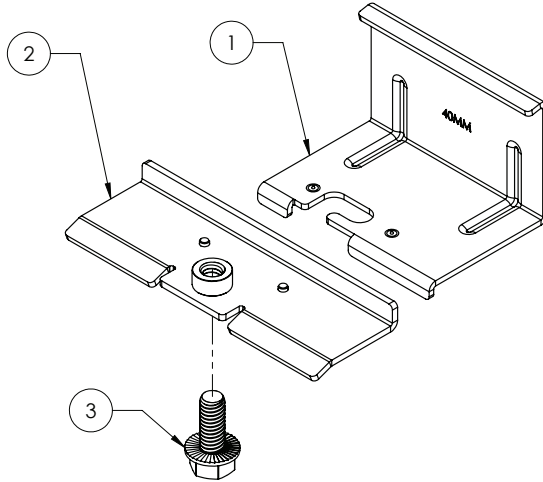
Works with:

Quick Rack™ Rail-Free System | Rooftop Racking Systems
Ground Mounted Systems | Ballasted Systems

Quick Mount PV[®]
RESPECT THE ROOF

ITEM NO.	DESCRIPTION	QTY.
1	ACCESSORY FRAME CLAMP, 40MM, 5005-H34, BRONZE	1
2	ACCESSORY FRAME BRACKET, 5052-H32, MILL	1
3	CAP SCREW, SERRATED FLANGE, HEX HEAD, 5/16"-18 X 3/4", UNC-2A, 18-8SS	1

ITEM 1: AVAILABLE IN 33MM, 35MM AND 40MM VERSIONS IN MILL AND BRONZE FINISHES



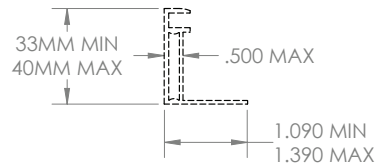
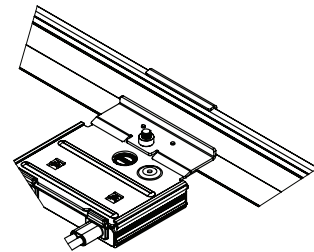
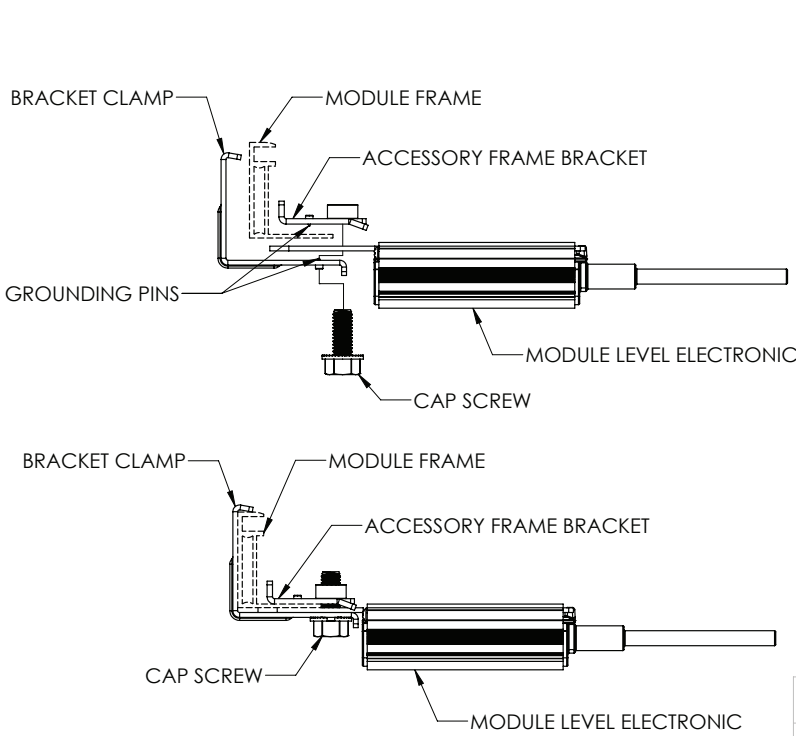
Quick Mount PV[®]

TITLE:
QMAFB: ACCESSORY FRAME BRACKET

UNLESS OTHERWISE SPECIFIED: DIMENSIONS ARE IN INCHES TOLERANCES: FRACTIONAL ± 1/8 TWO PLACE DECIMAL ± .19 THREE PLACE DECIMAL ± .094	SIZE	DRAWN BY: RAD	REV
	A	DATE: 7/20/2016	6
SCALE: 2:3		WEIGHT: 3.83	SHEET 1 OF 2

PROPRIETARY AND CONFIDENTIAL
THE INFORMATION CONTAINED IN THIS DRAWING IS THE SOLE PROPERTY OF QUICK MOUNT PV. ANY REPRODUCTION IN PART OR AS A WHOLE WITHOUT THE WRITTEN PERMISSION OF QUICK MOUNT PV IS PROHIBITED. COPYRIGHT © 2016 QUICK MOUNT PV

DO NOT SCALE DRAWING



ALLOWABLE MODULE FRAME DIMENSIONS

Quick Mount PV[®]

TITLE:
QMAFB: ACCESSORY FRAME BRACKET

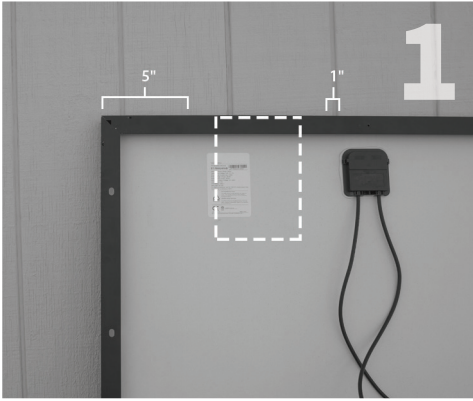
UNLESS OTHERWISE SPECIFIED: DIMENSIONS ARE IN INCHES TOLERANCES: FRACTIONAL ± 1/8 TWO PLACE DECIMAL ± .19 THREE PLACE DECIMAL ± .094	SIZE	DRAWN BY: RAD	REV
	A	DATE: 7/20/2016	6
SCALE: 1:2		WEIGHT: 3.83	SHEET 2 OF 2

PROPRIETARY AND CONFIDENTIAL
THE INFORMATION CONTAINED IN THIS DRAWING IS THE SOLE PROPERTY OF QUICK MOUNT PV. ANY REPRODUCTION IN PART OR AS A WHOLE WITHOUT THE WRITTEN PERMISSION OF QUICK MOUNT PV IS PROHIBITED. COPYRIGHT © 2016 QUICK MOUNT PV

DO NOT SCALE DRAWING

Accessory Frame Bracket | QMAFB Installation Instructions

Installation Tools Required: PV wire clips, 1/2" socket and torque wrench.



In a standard landscape or portrait array, the Accessory Frame Bracket should be installed at least 5 inches from the edge of the module and at least 1 inch in from the edge of the module junction box.



Place the bracket clamp over the edge of the module frame.



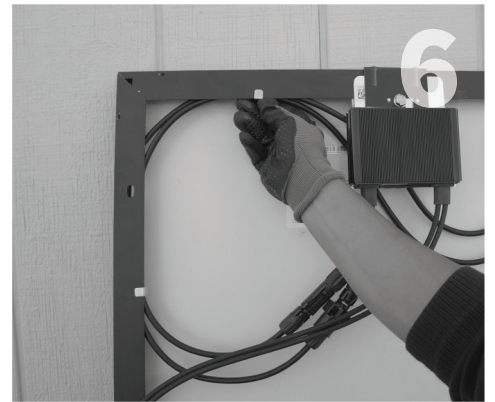
With the cap screw threaded into the bracket, slide the cap screw into the slot on the module level electronic mounting bracket with the bracket behind the module level electronic mounting bracket.



Slide this assembly onto the module frame with the bracket behind the module frame, the module level electronic mounting bracket in front of the module frame, and the bracket clamp in front of the module level electronic mounting bracket. Slide the assembly up and to the left to engage cap screw into bracket clamp slot.



Tighten the cap screw with a half-inch socket and torque wrench to a torque of 15 foot-pounds.

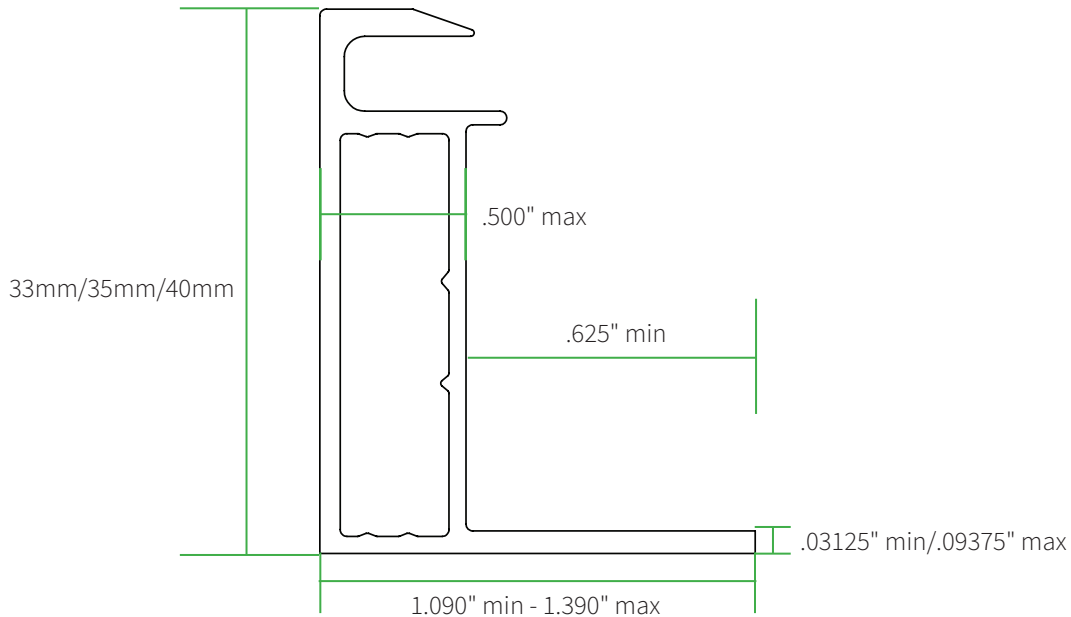


Neatly coil the wires and clip to module frame.

UL2703 Compliance Requirements

Evaluated and Approved Modules for use with the Accessory Frame Bracket

All listed modules have a minimum of one frame section (long or short) that fit the following dimensional requirements:



Approved Modules

PV modules grounding/bonding tested or evaluated with QMAFB Accessory Frame Bracket per ANSI/UL 2703 Edition 1

BenQ Green Triplex

PM060M02-XXX, PM060P00-XXX, PM245P00-XXX, PM250M01-XXX, PM245P03-XXX

ET Solar

ET-P660BB, ET-P660WB, ET-P660WW, ET-M660WW, ET-M660BB, ET-M672WW, ET-P672BB, ET-M672BB, Anti-glare

LG Solar Mono X

LGXXS1C-G3, LGXXS1C-A3, LGXXS1C-B3, LGXXS1K-G3, LGXXS1K-A3, LGXXS1K-B3, LGXXS1C-G4

LG Solar Mono X NeON & Ace

LGXXN1C-G3, LGXXN1C-A3, LGXXN1C-B3, LGXXN1K-G4, LGXXN1C-G4, LGXXA1C-B3, LGXXA1C-G4

Trina Solar

TSM-XXX-PA05.05, TSM-XXX-PA05.08, TSM-XXX-PD05.05, TSM-XXX-PD05.08, TSM-XXX-PD14

Yingli Solar YGE 60 Cell & YGE 72 Cell

YLXXXP-29b 40mm, YLXXXP-29b 35mm

Approved Modules Cont'd

Suniva Optimus & MV Series

Black OPT XXX-60-4-1B0, Silver OPT XXX-60-4-100, MVX XXX-60-5-100, Black OPT XXX-60-4-1B1, Silver OPT XXX-60-4-101

Hanwha Solar HSL 60 & HSL 72

HSL60P6-PB-0-XXXT, HSL60P6-PB-0-XXXTW, HSL60P6-PB-0-XXXTB, HSL60P6-PB-4-XXXT, HSL60P6-PB-4-XXXTW, HSL60P6-PB-4-XXXTB, HSL60P6-PB-1-XXX, HSL60P6-PB-1-XXXB, HSL72S-4BB-1-XXXB

Canadian Solar

CS6P-XXXP, CS6P-XXXM, CS6X-XXXP, CS6P-XXXM All Black, CS6U-XXXP, CS6U-XXXM

Renesola 156 Series

JCXXS-24/Bb, JCXXF-24/Bb-b, JCXXS-24/Bb-b

Renesola Clarus, Virtus, & Virtus II

JCXXM-24/Bb, JXXM-24/Bbv, JCXXM-24/Bb, JCXXM-24/Bbh

Hyundai Solar RG-Series

HiS-MXXRG, HiS-SXXRG

Hyundai Solar MF-Series & MG Series

HiS-SXXMF, HiS-MXXMG, HiS-SXXMG

Phono Solar Diamond Series

PSXXP-20/U, PSXXM-20/U

Phono Solar Onyx Series

PSXXP-20/U, PSXXM-20/U

Q Cells

Q.Peak-G3 XXX, Q.Peak blk-G3 XXX, Q.Plus-G3 XXX

SolarWorld Sun Module Pro Poly & Plus Mono

SWXX POLY, SWXX-MONO, SWXX-MONO BLACK, SWXX-XL MONO BLACK

Jinko Solar Standard, Eagle, & Smart

JKMXXP-60, JKMXXP-72, JKMXXPP-60, JKMXXPP-72, JKMXXM-60, JKMXXM-72

Note: Module wattage is represented by XXX in product codes.

Evaluated and Approved Module Level Electronics for use with the Accessory Frame Bracket

Approved Module Level Electronics
SolarEdge Power Optimizer
P300, P320, P400, P405, P600, P700

Grounding Information

The Accessory Frame Bracket is used to mount and ground a module level electronic to a PV module that complies with UL 1703 when used with a module level electronic and PV module that has been evaluated for grounding and/ or mounting in compliance with the instructions provided.

Grounding pins within the Accessory Frame Bracket components are multiple use bonding/grounding device.

Grounding Method: Accessory Frame Bracket Assembly grounds the module level electronic with grounding pins that pierce the module frame and module level electronics case when the bracket attachment bolts are torqued to 15 ft-lbs using the provided serrated flange bolt. The module frame must be grounded by a UL2703 racking system, e.g. Quick Rack rail free racking system from Quick Mount PV. The system is to be installed in accordance with the latest National Electrical Code, ANSI/NFPA 70, including NEC 250: Grounding and Bonding, and NEC 690: Solar Photovoltaic Systems. Any local electrical codes must be adhered in addition to the national electrical codes. System maximum series fuse rating shall not exceed 20 Amps.

Miscellaneous Information

Fire Rating:

Use of Accessory Frame Bracket will not affect Fire Rating of the racking system.


Periodic Re-inspections:

If re-inspections yields loose components, loose fasteners, or any corrosion between components, components that are found to be affected are to be replacement immediately.

Load Rating:

Maximum Series Fuse Rating = 20 Amps

Product Marking:

QMAFB by Quick Mount PV®
Conforms to UL STD 2703
4008516
 Patent Pending
Intertek Made in USA

