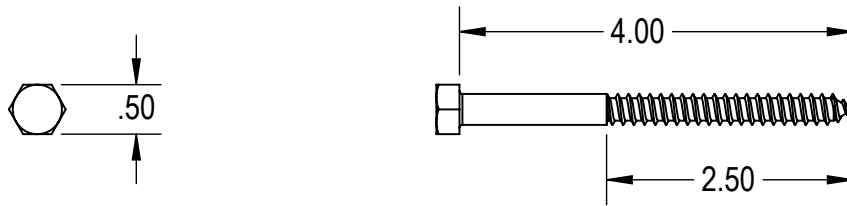


ITEM NO	DESCRIPTION	QTY IN KIT
1	LAG SCREW, 5/16" X 4"	1
2	WASHER, SEALING, EPDM BONDED SS	1
3	OPEN SLOTTED L-FOOT, MILL/BLACK	1
4	FLAHING, ROUNDED CORNERS, MILL/BLACK	1
5	STRUCTURAL SCREW, T-30 HEX WASHER HEAD, 5/16" X 4-1/2	1

PART NUMBER	DESCRIPTION
QM-LM-01-M1	L-MOUNT®, OPEN SLOT
QM-LM-01-B1	L-MOUNT®, OPEN SLOT, BLACK
QM-LMST-01-M1	L-MOUNT®, OPEN SLOT, STRUCTURAL SCREW
QM-LMST-01-B1	L-MOUNT®, OPEN SLOT, STRUCTURAL SCREW, BLACK

### 1) LAG SCREW



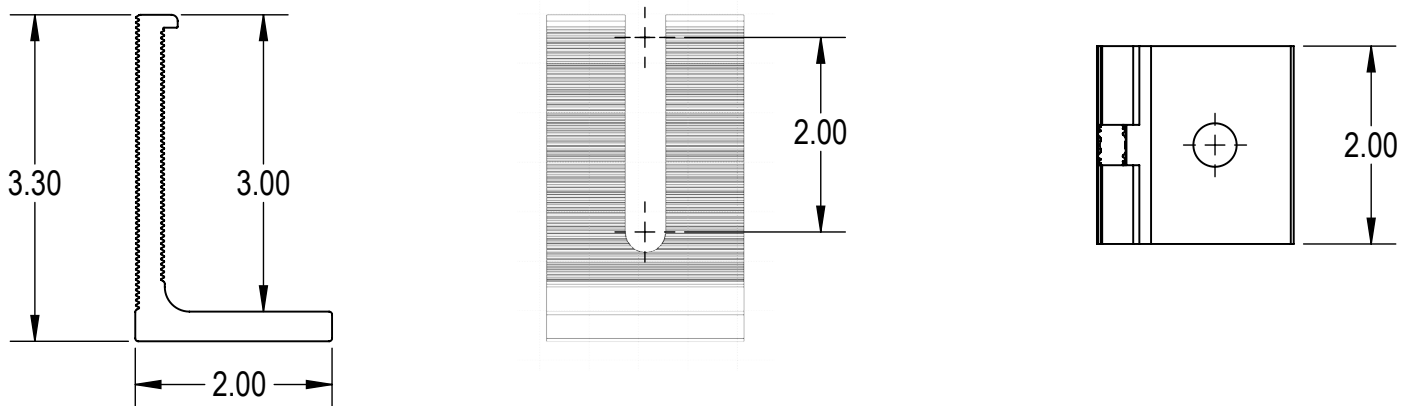
Property	Value
Material	300 Series Stainless Steel
Finish	Clear

### 2) WASHER, SEALING, EPDM BONDED SS



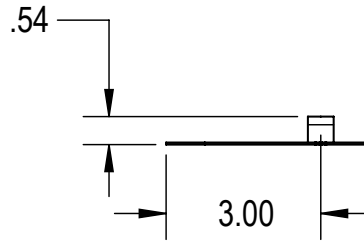
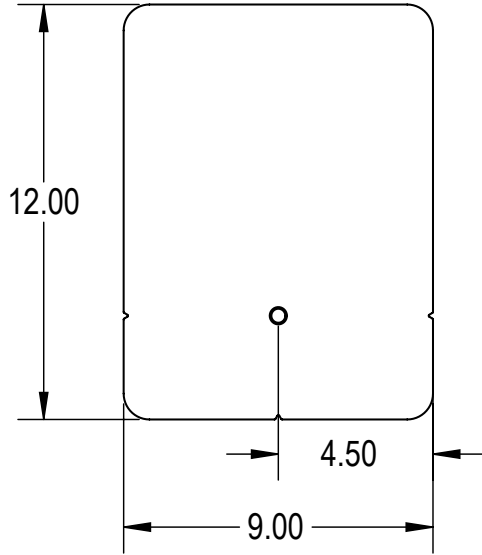
Property	Value
Material	300 Series Stainless Steel
Finish	Clear

### 3) OPEN SLOTTED L-FOOT, MILL/BLACK



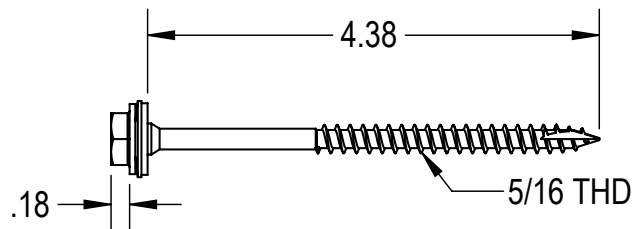
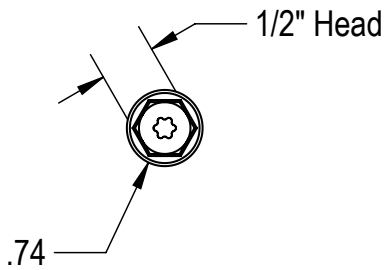
Property	Value
Material	6000 Series Aluminum
Finish	Mill

4) FLASHING, ROUNDED CORNERS, MILL/BLACK



Property	Value
Material	6000 Series Aluminum
Finish	Mill

5) STRUCTURAL SCREW



Property	Value
Material	300 Series Stainless Steel
Finish	Clear