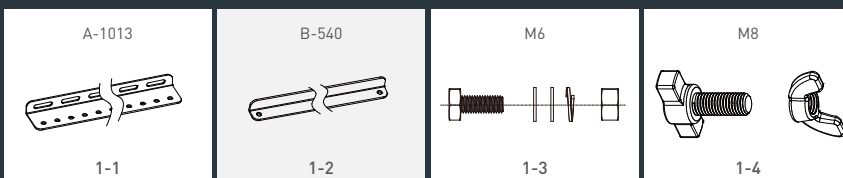


# NPB-400T Bracket kit

The Newpowa T series mounting kits are designed for Newpowa solar panels. They are also compatible with most non Newpowa branded solar modules.

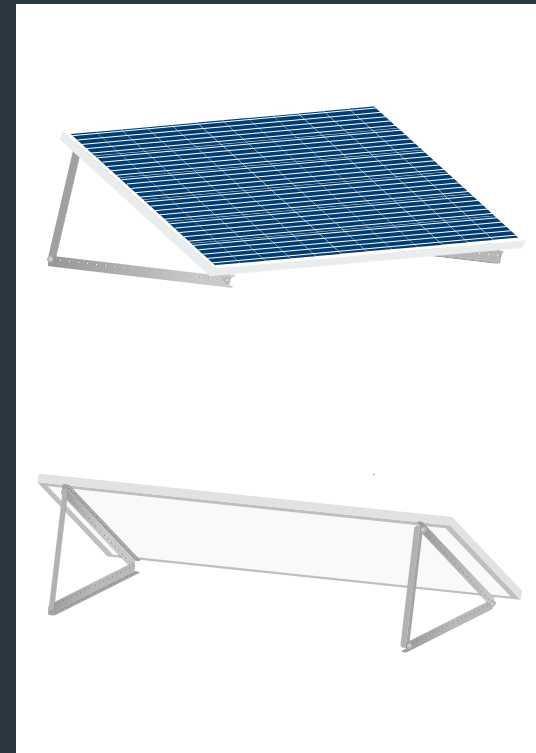
## SPECIFICATIONS

Mounting Type	Tilt Mount Bracket
Module Type	Grid Tie Panel or two 100W(20inch width)
Number of Modules	Mounts 1 or 2 Panels
Setting Angle	Tilt Range From 20° to 90°
Wind Load	Designed to withstand wind speeds of 90mph
Snow Load	1.1kN/m <sup>2</sup>
Warranty	1 Year

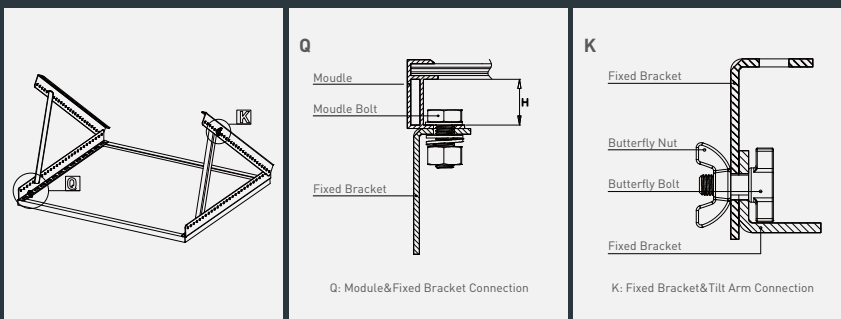


## KIT COMPONENTS

Diagram	Component	Material	Surface Treatment	Quantity	Dimensions
1-1	Fixed Bracket	Aluminum Alloy	N/A	4	A-1013=39.9×1.8×1.1in
1-2	Tilt Arm	Aluminum Alloy	N/A	2	B-540=21.3×1.6×1in
1-3	Screw Set	Stainless Steel	N/A	4	M6=6×20mm
1-4	Screw Set&Wing Nut	Stainless Steel	N/A	6	M8=8×20mm



## MOUNTING DIAGRAM



Note:  
This kit may be used with another brand of panel with some slight modifications.

