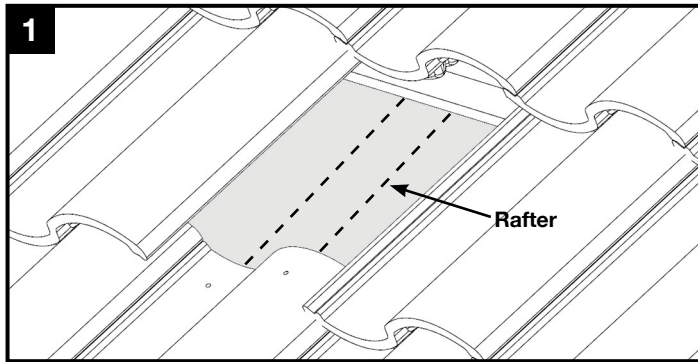


NO.	DESCRIPTION
1	ASSY, PEDESTAL 1
2	SCREW, LAG, HEX, 5/16, 4.0L
3	TILE REPLACEMENT FLASHING, S
4	TILE REPLACEMENT FLASHING, FLAT
5	TILE REPLACEMENT FLASHING, W
6	L-1X5, BLACK
7	WASHER, BONDED
8	NUT, FLANGE 5/16-18 SST

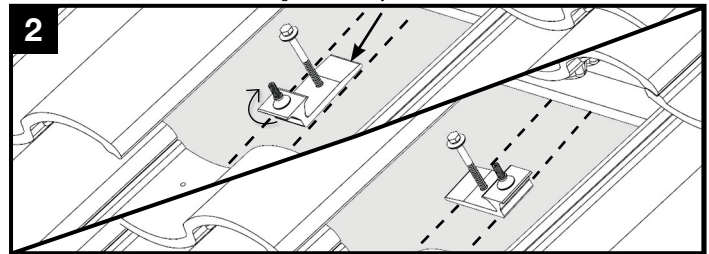
<b>KNOCKOUT TILE</b>		
SIZE <b>A</b>	DO NOT SCALE DRAWING	
SCALE:1:1	WEIGHT: 2.754 LBS	SHEET 1 OF 1

# Installation

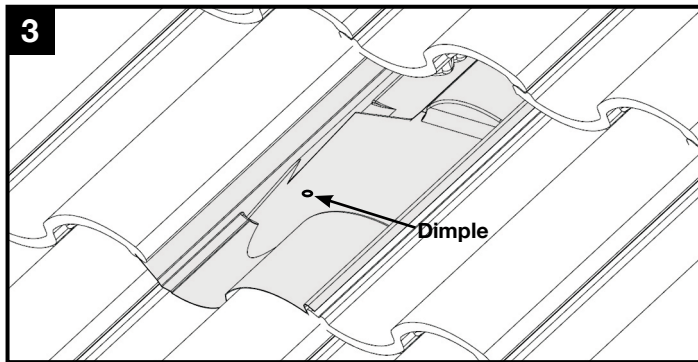
**Tools Required:** Tape measure, chalk, approved sealant, hammer, and driver with 1/4" bit and 1/2" hex socket



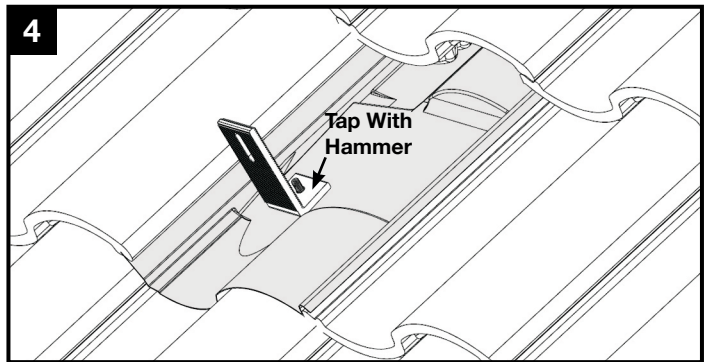
Remove tile and mark rafter. Use base as guide to drill 1/4" pilot hole and fill with roofing manufacturer's approved sealant.



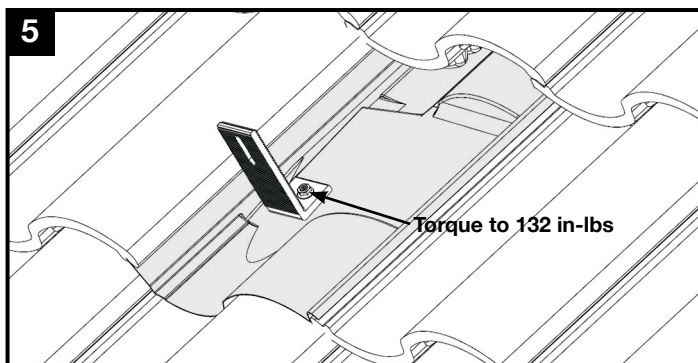
Insert lag with bonded washer through base into pilot hole and fully seat. Base can be installed in any orientation relative to rafter. Seal or flash base as needed. If deck level flashing is required, approved flashing methods include user-supplied, adhesive-backed, flexible flashing.



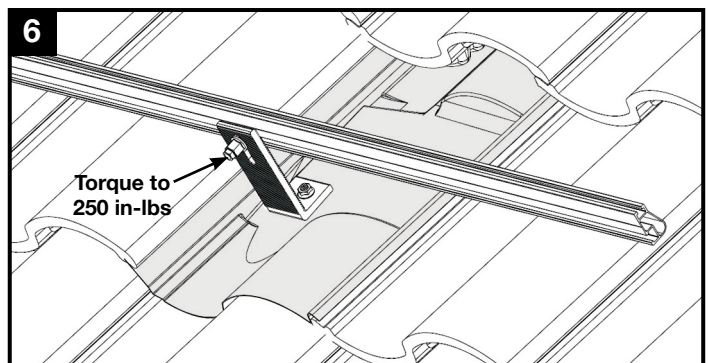
Insert Tile Replacement Flashing, lower onto base and apply pressure over the threaded post until it dimples the flashing.



Place L-Foot over top of dimple and tap with hammer to punch the threaded post through the flashing. Ensure punched pieces of flashing are cleared away.



Form flashing as needed to sit flush with surrounding tiles. Position L-Foot in desired orientation. L-foot can be installed facing any direction. Torque Hardware to 132 in-lbs (11 ft-lbs).



Attach rail to either side of L-Foot with 3/8" bonding hardware. Ensure L-Foot does not extend above rail. Torque hardware to 250 in-lbs (21 ft-lbs).

## Structural Certification

Designed and Certified for Compliance with the International Building Code & ASCE/SEI-7.

## Water Seal Ratings

Water Sealing Tested to UL 441 Section 27 "Rain Test" and TAS 100(A)-95 "Wind Driven Rain Test" by Intertek. Ratings applicable for concrete tile roofs having slopes between 2:12 and 12:12. Tested and evaluated without sealant. Any roofing manufacturer approved sealant is allowed.

## UL 2703

Conforms to UL 2703 (2015) Mechanical and Bonding Requirements. See IronRidge Flush Mount Installation Manual for full ratings.