

DCM0035

Technical Specifications

Nominal Voltage	12V
Nominal Capacity	35Ah (20 Hr Rate to 1.80V/cell)
Chemistry	Lead Acid -AGM

Physical Specifications

Length	195mm	7.68in
Width	130mm	5.12in
Height	164mm	6.46in
Height w/Terminal	167mm	6.57in
Weight (+/- 5%)	10.4Kg	22.9bs
Terminal Type	INSERT TERMINALS	
Case Material	ABS	

Charging Specifications

Charge Voltage	Battery	Per Cell
Float	13.5V~13.8V	2.25V~2.30V
Cycle	14.4V~15.0V	2.40V~2.50V
Max. Charge Current	9.9A	

Capacity Specifications

5 Second Discharge Current	495A	
Self Discharge (to 80% capacity)	3 Months	91%
	6 Months	82%
	12 Months	64%
Internal Resistance	11mΩ(25°C)	

Temperature Specifications

Operating Temperature Capability -40° F (-40° C) to 140° F (60° C)

Recommended parameters for optimal battery life and performance:

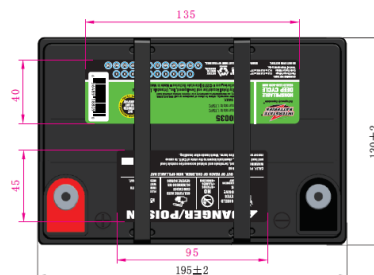
Charging: 32° F to 104° F (0° C to 50° C), Discharging: 5° F to 122° F (-15° to 50° C),

Storage: 50° to 77° F (10° C to 25° C)

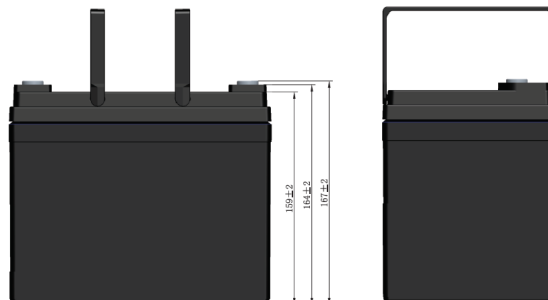


FEATURES:

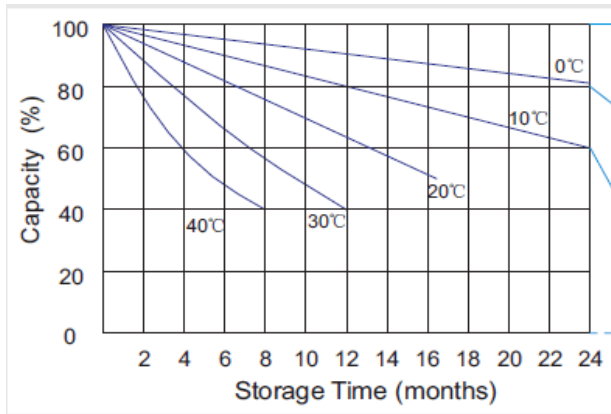
- Long life for deep discharge uses
- Ideal for applications using major capacity prior to recharging
- Depth of discharge should be between 50% & 80% and recharged as soon as possible
- Flexibility of mounting orientation
- VRLA technology to eliminate spills and over-pressurization
- Maintenance-free



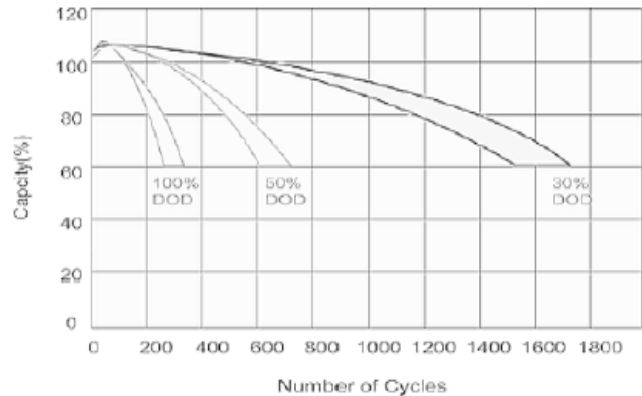
FOR REFERENCE ONLY
HANDLE TRUE TO PHOTO ABOVE



Storage Characteristics



Cycle Life of Deep Cycle



Constant Current Discharge Characteristics: A (25°C)

F.V/Time	5 min	30 min	1 hr	3 hr	5 hr	10 hr	20 hr
1.85V/cell	48.30	25.60	16.50	7.98	5.25	3.12	1.75
1.80V/cell	61.70	30.20	18.50	8.89	5.64	3.30	1.77
1.75V/cell	67.80	31.30	19.30	8.75	5.79	3.33	1.79
1.70V/cell	73.90	32.60	19.90	8.99	5.93	3.37	1.82
1.67V/cell	79.80	34.40	20.60	9.37	6.10	3.44	1.84
1.60V/cell	86.60	36.30	21.30	9.66	6.30	3.47	1.85

Constant Power Discharge Characteristics: W (25°C)

F.V/Time	5 min	30 min	1 hr	3 hr	5 hr	10 hr	20 hr
1.85V/cell	90.10	49.10	32.00	15.60	10.30	6.17	3.51
1.80V/cell	113.60	57.30	35.60	16.70	11.00	6.53	3.53
1.75V/cell	123.30	59.20	37.10	17.00	11.30	6.59	3.56
1.70V/cell	132.60	61.30	38.20	17.40	11.60	6.65	3.63
1.67V/cell	142.00	64.40	39.30	18.10	11.90	6.75	3.67
1.60V/cell	151.60	67.30	40.40	18.50	12.20	6.85	3.68

