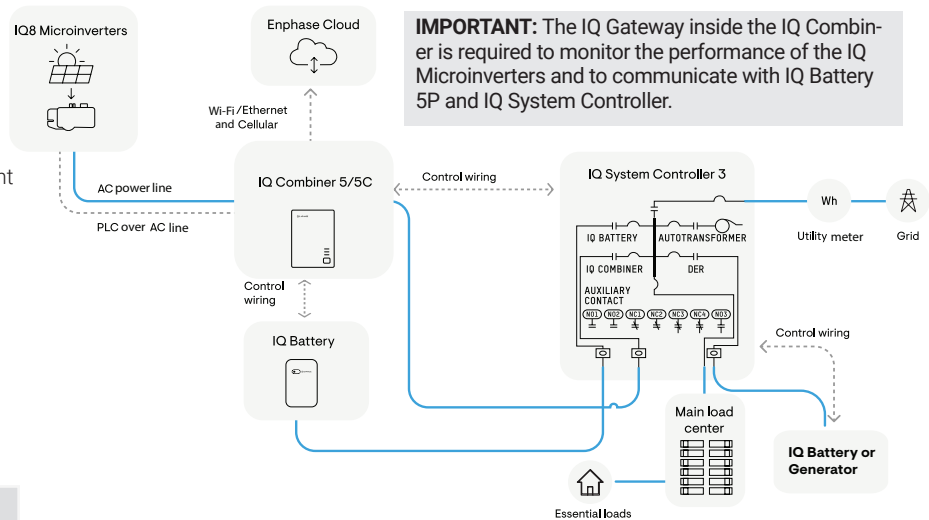


Installing the IQ Combiner 5 and IQ Combiner 5C

The IQ Combiner 5/5C combines up to four AC branch circuits of IQ Series Microinverters and/or IQ Batteries. To install the IQ Combiner 5/5C, read and follow all warnings and instructions in this guide. Safety warnings are listed at the end of this guide. If you do not fully understand any of the concepts, terminology, or hazards outlined in these instructions, refer installation to a qualified electrician or installer. These instructions are not meant to be a complete explanation of a renewable energy system. All installations must comply with national and local electrical codes. Professional installation is recommended.

The IQ Combiner 5/5C has an outdoor-rated, NRTL-certified NEMA type 3R enclosure containing an IQ Gateway, circuit breakers, a pair of consumption metering CTs, an IQ Battery 5P metering CT, and wiring for IQ Gateway connections. The IQ Combiner 5C includes a Mobile Connect LTE-M1 cell modem. Use the IQ Combiner 5C for single-phase applications and to support the AC connections needed for an Enphase residential solar installation.

NOTE: The IQ Combiner 5/5C is compatible with IQ Battery 5P and IQ System Controller 3/3G. It is not compatible with IQ Battery 3/10/3T/10T and IQ System Controller 1/2.



IMPORTANT: The IQ Gateway inside the IQ Combiner is required to monitor the performance of the IQ Microinverters and to communicate with IQ Battery 5P and IQ System Controller.

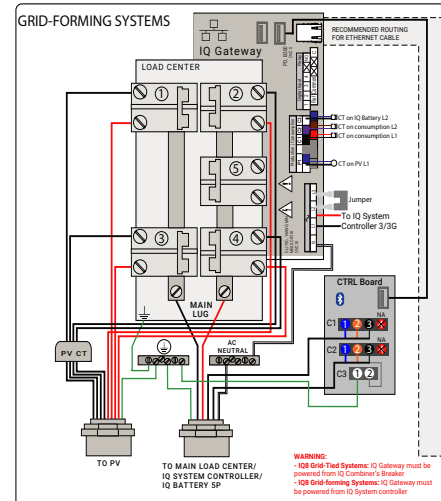
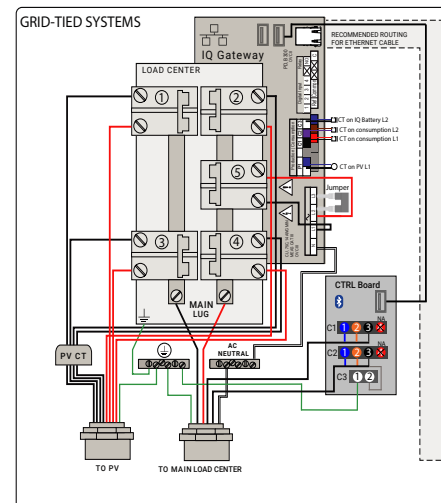
PREPARATION

NOTE: IQ Combiner 5/5C can be used for grid-interactive (i.e., grid-tied) as well as multi-mode (i.e., grid-forming) installations.

Warning! Risk of equipment damage. Instructions for wiring grid-forming systems are different from grid-tied systems. Follow specific wiring instructions as outlined herein to maintain warranty.

- A) Download the Enphase Installer App version 3.X mobile app and open it to log in to your Enphase Installer App account. With this app, you can connect to the IQ Gateway to track system installation progress. To download, go to <https://enphase.com/installers/apps>.
- B) Check the box for the following items:
 - IQ Combiner 5 or 5C with IQ Gateway printed circuit board. The X-IQ-AM1-240-5C also includes an LTE-M1 cell modem.
 - A pair of clamp CTs for consumption metering
 - One clamp CT for IQ Battery 5P monitoring
 - IQ Combiner 5/5C Quick Install Guide (this document)
- C) Make sure you have the following required items:
 - For all Enphase Energy System Installations, a control signal cable is required and must be purchased separately (for installations with IQ Battery 5P or IQ System Controller 3), Enphase SKU for control cable: CTRL-SC3-NA-01.
 - Tools: Screwdriver, pliers, and torque wrench.
 - Up to four Eaton BR-style breakers (one for each PV branch circuit). Eaton BR-style breakers are the only breakers you can use. You can install up to 60 A breaker(s) in the IQ Combiner (order Enphase BRK-10A-2-240V, BRK-15A-2-240V, BRK-20A-2P-240V, Eaton BR210, Eaton BR215, Eaton BR220, Eaton BR230, Eaton BR240, Eaton BR250, and/or Eaton BR260 circuit breakers). The sum of all distributed energy resources (DER) branch breaker ratings cannot exceed 80 A. For IQ8 systems with IQ System Controller, use BRK-15A-2P-240-B (or Eaton BR215B) for 15 A circuits and BRK-20A-2P-240-B (or Eaton BR220B) for 20 A circuits to be compatible with the hold-down kit. The IQ Gateway breaker should not exceed 15 A and is counted separately (total 90 A/95 A worth of breakers).
 - Up to two hold-down kits with screws for the breakers. Each hold-down kit (X-IQ-NA-HD-125A) will allow the installation of up to two breakers located on the same side of the busbar (only for IQ8 PV installations with IQ System Controller).
 - Overcurrent protection in the load center in accordance with NFPA 70, 705.12, and NEC 690
 - Suitable mounting hardware: Use #8 (or larger) screws that are long enough to secure the unit to the vertical mounting surface
 - Copper conductors are rated for wet locations and sized to meet local code requirements and voltage drop/rise considerations. Wire sizes and torque values are listed on the door of the unit.
 - UL-listed rain-tight conduit hubs for wire entry into the enclosure.
- D) For consumption metering, check that there is enough space in the load center to install CTs. Do not install the CTs in a panel where they exceed 75% of the wiring space of any cross-sectional area within the load center.
- E) Decide how to connect the IQ Gateway to the internet: Use Wi-Fi and Enphase Mobile Connect, or Ethernet. Then, make sure you have the following optional items, if needed:
 - Enphase Mobile Connect (included with X-IQ-AM1-240-5C)
 - Ethernet cable: 802.3, Cat5E or Cat6, unshielded twisted pair (UTP). Do not use a shielded twisted pair (STP) cable.

- F) Make note of the IQ Gateway serial number on the installation map. Later, you will need to enter this number in the Enphase Installer App. You can type it in manually or scan the label on the inside of the combiner door. Always keep a copy of the installation map for your records.
- G) Note that installation of the IQ Combiner 5/5C has two parts: To ensure successful device detection, complete Part 2 after installing any IQ Microinverter, IQ Battery 5P, and/or IQ System Controller.



WARNING:
 - IQ8 Grid-Tied Systems: IQ Gateway must be powered from IQ Combiner's Breaker
 - IQ8 Grid-Forming Systems: IQ Gateway must be powered from IQ System Controller

INSTALLATION – Part 1

It is best to complete installation Part 1 BEFORE installing Enphase microinverters, IQ Battery 5P, and/or IQ System Controller.

1 Choose a location for the IQ Combiner

- A) Install the IQ Combiner 5/5C in a readily accessible location, at least three feet (91 cm) off the ground.
- B) Consider the dimensions of the IQ Combiner, easy access, box height, and length of cable when selecting the location. The IQ Combiner is rainproof but not watertight.
- C) Mount the IQ Combiner 5/5C on a vertical surface.

NOTE: You must mount the IQ Combiner within 15° vertically.

2 Install circuit breaker(s)

The combiner includes one two-pole 10 A or 15 A circuit breaker that feeds the IQ Gateway and an AC outlet (if XA-PLUG-120-3 is present). You can install additional breakers if needed. You must follow all NEC and local electrical codes.

NOTE: For IQ8 grid-forming systems, this breaker must not be used to power the IQ Gateway and the procedure described in steps C and D must be followed. For IQ6/IQ7 and IQ8 grid-tied systems, skip steps C and D.

- A) Open the enclosure door. Pinch the top of the hinge rod using a pair of needle-nosed pliers. Slide the door up and remove it. Set the door aside for later reattachment.

NOTE: a) Risk of equipment damage. Do not remove the pre-installed heat shield attached to the enclosure door.

b) Risk of equipment damage. Always unplug the USB cable from the IQ Gateway USB port prior to removing the dead front.

- B) Remove the plastic dead front with the integrated cell modem on the deadfront. It is not necessary to completely remove the screws.



Warning! Risk of electric shock. To maintain the warranty, do not modify the dead front other than to remove or replace filler plates, as needed.

- C) For IQ8 grid-forming systems, connect IQ Gateway L1 and L2 to the 20 A L1 and L2 terminals, respectively, of the pre-installed quad breaker on the autotransformer position in the IQ System Controller 3/3G.

NOTE: The IQ Gateway L2 terminal is shorted to the L3 terminal using a jumper. While powering the L2 of the IQ Gateway, loosen the jumper from the L2 terminal, insert the wire, and then tighten it to ensure both the wire and jumper are properly installed. Do not loosen the jumper connection on the L3 terminal.

- D) Remove the filler plate on the dead front for each breaker position you will use. To remove the filler plate, press the single latch inward while gently pushing the filler plate out.
- E) Snap the breaker onto the busbar, using only the breaker positions indicated in the diagram on the door of the unit.

3 Drill holes to accept conduit

- A) The bottom and sides of the IQ Combiner 5/5C are the best locations to drill holes for conduit fittings. The rear conduit entry below the busbar assembly is also supported.



Warning! Risk of equipment damage. Do not drill conduit holes on the top of the box or at any location that allows moisture ingress.

NOTE: When drilling, consider the internal parts of the combiner. Make sure that the holes do not interfere with the internal workings, mechanics, or the dead front legs in the corners of the combiner.

Best practice: Use a stepped drill bit to make the conduit holes. Using a hole saw may crack the plastic housing. As an alternative, use a sharp chassis punch with caution.

- B) Use a snap punch or other type of center punch to prevent the drill from wandering. Drill a pilot hole with a smaller drill before using a step drill bit.
- C) Use only UL-listed rain-tight conduit fitting for wire entry into the enclosure.

4 Wire the output connections



Warning! Risk of equipment damage. Observe bend radius requirements when routing wires.

Refer to the diagram on the door of the IQ Combiner 5/5C and do the following:

- A) Use conductors sized per local code requirements taking into consideration the voltage drop/rise and upstream breaker or fuse.
- B) The two terminals below the circuit breaker(s) are the output connections. Install L1 into the left terminal and L2 into the right terminal.

NOTE: IQ Series Microinverters use a two-wire system and do not use a Neutral. However, the IQ Gateway in the combiner still requires a Neutral from the load center.

- C) Connect the neutral (white) to the neutral busbar.
- D) Connect the ground (green or green/yellow) to the Ground busbar.
- E) Torque all connections as indicated in the table below.

5 Wire inputs from the AC branch circuits

You can install AC branch circuit breakers up to 80 A total (sum of breaker ratings, excluding the 10 A/15 A IQ Gateway breaker). With individual branch circuits, you will typically use up to four 20 A breakers. Refer to the diagram on the door of the IQ Combiner and do the following:

- A) Use copper conductors sized to meet local code requirements and voltage drop/rise considerations.
- B) Bring in the wires from each AC branch circuit.
- C) Connect the Ground (green or green/yellow) to the ground busbar.
- D) Pass the L1 conductors from each PV branch circuit through the Production CT in the same direction as the arrow on the side of the CT.
- E) If you use the fourth (Battery/PV) breaker position for PV, you must route the L1 conductor through the Production CT.

NOTE: Do not pass conductors from IQ Battery 5P branch circuits through the Production CT. This will distort production readings.

- F) Connect L1 and L2 (usually one black and one red) from each AC branch circuit (PV and/or battery) to the circuit breaker(s). Observe the L1 and L2 polarity marking at each breaker position.
- G) Torque all connections as indicated in the following table.
- H) For IQ8 grid-forming installations (i.e., with an IQ System Controller 3/3G), you must install hold-down kits for the breakers for PV branch circuits as per the NEC code. Refer to the installation instructions of the hold-down kit for installing the hold-down kit for IQ8 systems.

CONNECTION	WIRE SIZES	TORQUE
DG breaker (1, 2, 3, 4)	14-10 AWG	2.2 N m (20 lb-in)
	8 AWG	2.8 N m (25 lb-in)
	6-4 AWG	3.0 N m (27 lb-in)
60 A circuit breaker only	4-1/0 AWG	5.0 N m (45 lb-in)
IQ Gateway breaker	14-10 AWG	2.26 N m (20 lb-in)
IQ Gateway power terminals	14-10 AWG	1.4 N m (12.4 lb-in)
Neutral and Ground		
Large screw	2-1/0 AWG	5.6 N m (50 lb-in)
	14-3 AWG	5.1 N m (45 lb-in)
Small screw	6 AWG	3.6 N m (32 lb-in)
	8 AWG	2.6 N m (23 lb-in)
	10-14 AWG	2.3 N m (20 lb-in)
Main lug	10-4 AWG	5.0 N m (45 lb-in)
	3-2/0 AWG	5.6 N m (50 lb-in)
CTRL connectors		
CTRL cables (C1, C2)	18 AWG	0.2 N m (1.77 lb-in)
Drain cables	18 AWG	0.2 N m (1.77 lb-in)
Copper conductors only, rated min. 75°C. Follow NFPA 70 (NEC), or CSA C22.1 part 1, and all local codes. For DG breakers larger than 20 A, use wire insulated for 90°C based on 75°C ampacities.		

6 Install CTs for consumption and battery metering

NOTE: Consumption metering is mandatory for IQ Battery and Sunlight Backup systems. Battery metering is mandatory for battery systems.

The IQ Gateway printed circuit board inside the IQ Combiner 5/5C is pre-wired at the terminal blocks for power and production metering connections. One solid-core Current Transformer (CT) is provided for revenue-grade production metering. Three clamp-style CTs are provided. Two for consumption metering and one for battery metering. To install them, create a protected route using a conduit for the CT wires from the main load center to the IQ Gateway. If you need to extend the wires, refer to the *IQ Gateway Installation and Operation Manual* at: enphase.com/support.

NOTE: Because of variances in load center design and main power feed, there may not always be enough space to install consumption metering CTs.

- Make sure that the main load center wires are de-energized until you have secured the CT wires in the terminal blocks.
- Before running the CT wires through the conduit, use colored tape to mark one of the CTs and the free end of its wires.
- Connect the CT with the red and black wire to the red and black "C1" terminals.
- Connect the CT with the purple and brown wire to the purple and brown "C2" terminals.
- Tighten all connections to 5 in-lbs.
- Clamp the red and black C1 CT on the load center feed wire Line 1 (matching the IQ Gateway's "L1" voltage terminal) with the CT arrow pointing toward the load (away from the grid).
- Clamp the purple and brown C2 CT on the load center feed wire Line 2 (matching the IQ Gateway's "L2" voltage terminal) with the CT arrow pointing toward the load (away from the grid).
- If IQ Battery 5P is present, clamp the blue and white C3 CT on the line 2 power wire for all branches of IQ Battery 5P (matching the IQ Gateway's "L2" voltage terminal) with the CT arrow pointing toward the load (away from the battery).



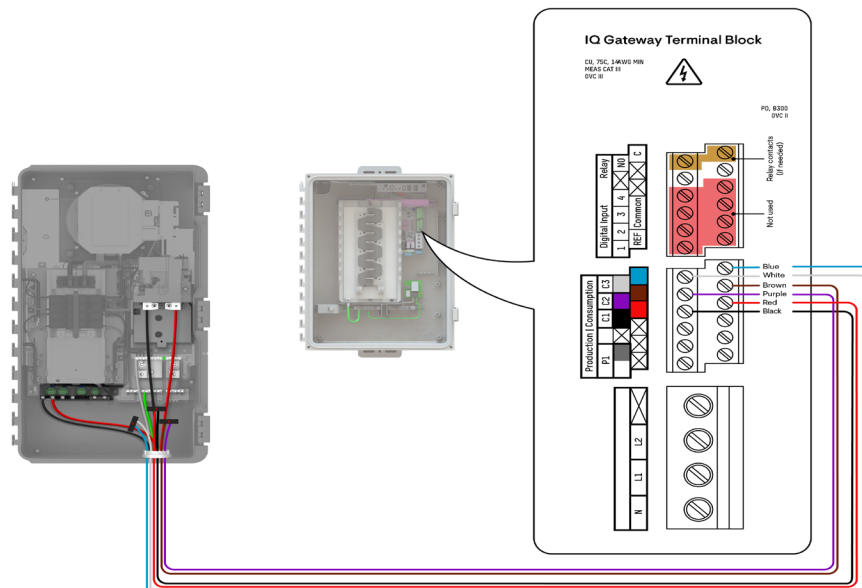
DANGER! Risk of electric shock. Always de-energize the load center before beginning wiring.



DANGER! Risk of electrocution and equipment damage! Do not install CTs when current is flowing in the sensed circuit. Always install CT wires in the terminal blocks before energizing the sensed circuit.

NOTE: It is important to match CT and sense voltage phases.

To properly measure power and energy, CT inputs must align with the respective voltage inputs. Be sure to consistently identify and match the two AC lines at two points: The main load center feed and the IQ Gateway. Wire colors (typically black and red) may not always consistently identify Lines 1 and 2. If in doubt, use a multimeter to check.



7 Energize and update the IQ Gateway


- Re-install the plastic dead front with the LTE-M1 cell modem installed on the dead front. Do not completely tighten all of the screws.
- Once all screws are partially tightened, go back and tighten each one completely.
- Plug in Mobile Connect USB cable into an IQ Gateway USB port
- Turn off the DG breaker(s).
- Reinstall the IQ Combiner door.
- Turn on the circuit feeding the combiner.
- Log into the Enphase Installer App on your mobile device and download the latest version of IQ Gateway software.
- On the IQ Gateway (inside the combiner), if the AP mode LED is not lit, press the AP mode button.
- On your mobile device, go to **Settings** and join the Wi-Fi network "IQ Gateway_nnnnnn" (where "nnnnnn" equals the final six digits of the IQ Gateway serial number).

J) Login to the Enphase Installer App on your mobile device and update the latest version of IQ Gateway software.

K) For a short period (5-10 minutes), you must keep your mobile device near the combiner. Follow the on-screen instructions while the update takes place.


The IQ Gateway software update process may take up to 25 minutes. During the software update, the LEDs on the IQ Gateway flash green one at a time from right to left. During this time, the IQ Gateway will reboot multiple times. All four LEDs flash red when the IQ Gateway reboots.

Once the update is finished and the PV system is installed, the IQ Gateway is ready for Installation Part 2.


All four LEDs flash red during boot-up (approximately 3 minutes). When boot-up is complete, the Device Communications LED  lights solid red, indicating that devices are not yet detected.

IQ Gateway display and controls


Track system installation progress with the **Enphase Installer App** version 3.X mobile app. The LEDs on the IQ Gateway PCB are solid green when a function is enabled or performing as expected, flashing when an operation is in progress, or solid red when troubleshooting with the Enphase Installer App is required. For a legend of all LED states, see Troubleshooting **a**.




Network communications LED
Green when IQ Gateway is connected to Enphase Installer Platform.




AP mode LED
Green when IQ Gateway's AP Wi-Fi network is available.




AP mode button
Press to enable IQ Gateway's AP mode for connecting with a mobile device. Hold for 5 seconds to start the WPS connection to a router.



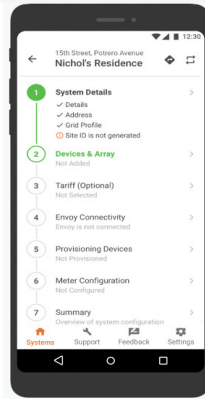
Power production LED
Green when microinverters are producing power.



Device communications LED
Green when devices are communicating with IQ Gateway.



Device scan button
Press to start/stop 15-minute scan for devices over the power line.



Enphase Installer App

INSTALLATION – Part 2

This section is applicable for Enphase Energy System sites with an IQ System Controller 3/3G and/or IQ Battery 5P installed.

Use Enphase tray cables (TC) and headers for control wiring. Enphase cables are certified under UL-1277, UL-3003 and UL-83.

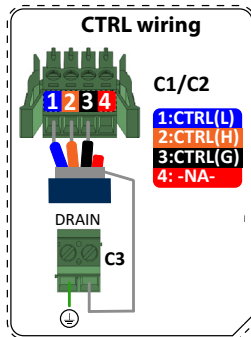
Enphase SKU for control cable: CTRL-SC3-NA-01.

NOTE: Enphase has validated performance using the Enphase control cable (SKU: CTRL-SC3-NA-01). Enphase cannot guarantee performance when a third-party control cable is used.

A) Planning the wiring

The control wiring has three basic components:

- The signal wires (blue, orange, black, red) are within the control cable.
- The Drain cable of the shield (Marked as DRAIN in the figure shown alongside).
- Termination resistor.

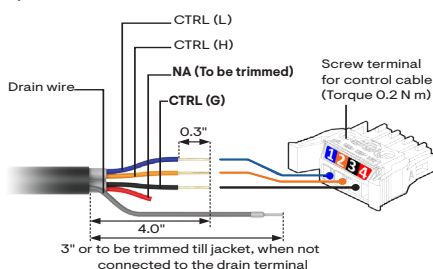


B) Confirm if IQ Combiner is the terminal node.

If the IQ Combiner is a terminal node, leave the termination resistor installed on the upper CTRL header. If the IQ Combiner is not the terminal node, remove the termination resistor to prepare the control header for wiring to another node.

C) Strip the cables for the connection

Enphase SKU for control cable: CTRL-SC3-NA-01



D) Routing the CT lead wires

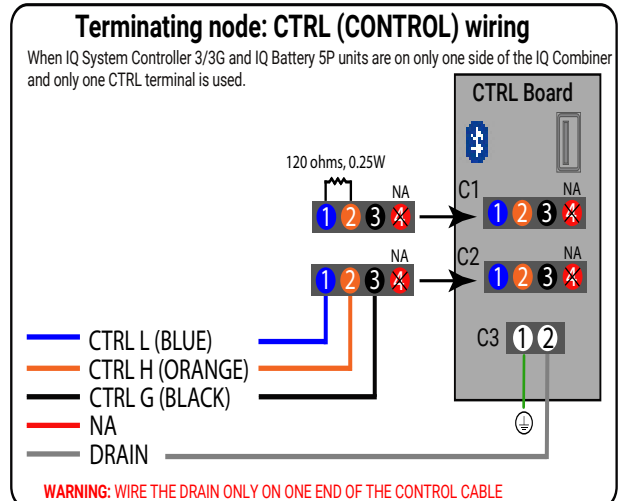
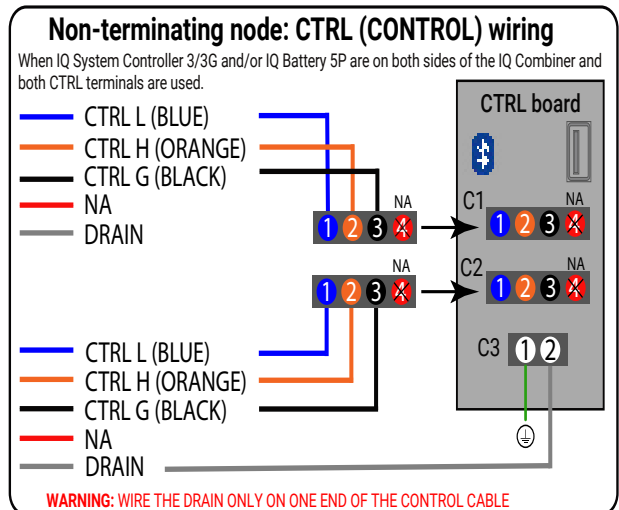
There is a provision for safely routing the CT lead wires without interfering with the CTRL circuitry. Use a zip tie to bundle the CT lead wires together. The CTRL board assembly contains slots on the periphery to ensure the CT lead wires can pass around the CTRL board.

E) Completing the control wiring

If the IQ Combiner is a non-terminating node, bring the two sets of control wires into the IQ Combiner through the bottom conduit. Use a zip tie provided to hold the wire leads firmly in place. If the IQ Combiner is a terminating node of the control network, only one wire enters the IQ Combiner through the conduit. This lands on the lower CTRL header. The other CTRL header is terminated using the pre-installed termination resistor.

F) Connecting the CTRL wires to the CTRL headers

- Connect the CTRL L (blue) to port 1 on the CTRL header.
- Connect the CTRL H (orange) to port 2 on the CTRL header.
- Connect the CTRL G (black) to port 3 on the CTRL header.
- Trim the NA (red) wire.
- Terminate the drain wire only on one end of the cable (do NOT terminate both ends). If the terminating end is on the IQ Combiner, connect it to the shield header on the control board below the control headers.



Control (CTRL) wiring between system components

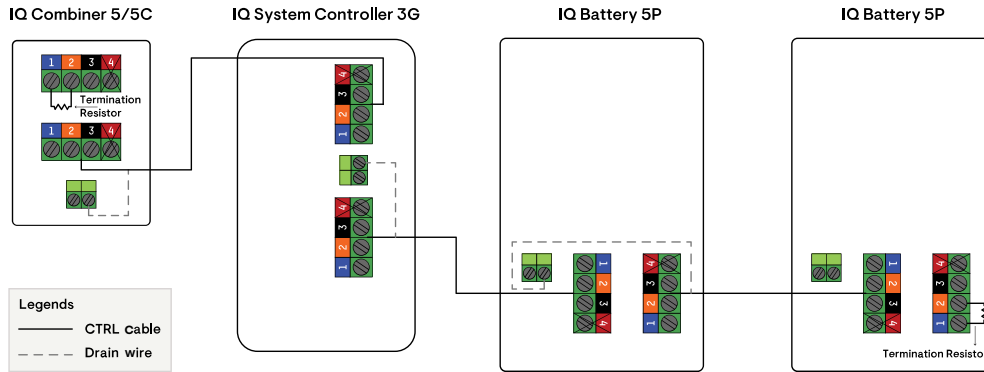
When installing the control wiring for the system, refer to the following wiring sequences to best understand the termination resistor header position, control wiring order, and drain wire termination location.

NOTE: Ensure the following guidelines are followed to ensure no failures during system commissioning:

1. One header with a termination resistor should be installed on each component that is at the extreme end of the control network.
2. It is recommended that the drain wire be terminated at the component from which the control wiring for the section is initiated.
3. The same conduits can be used for power and control wire routing only when using Enphase CTRL cable, that is CTRL-SC3-NA-01.

Following are the four common wiring sequences:

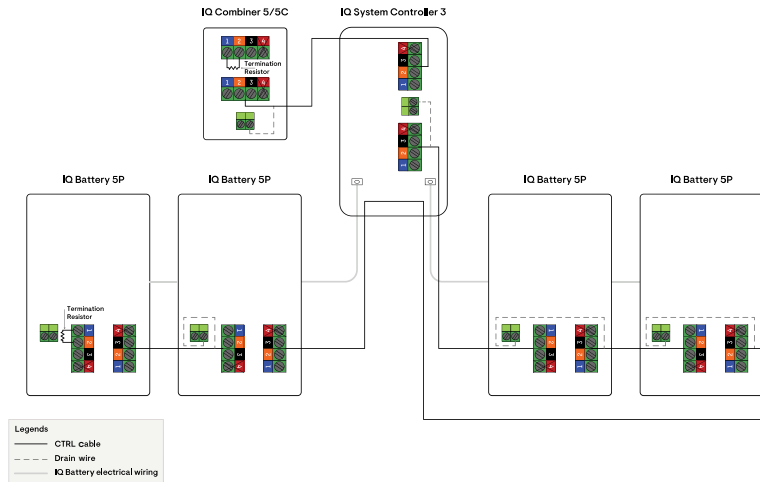
Sequence 1a: IQ Combiner 5/5C -> IQ System Controller 3G -> IQ Battery(s) 5P



NOTE: The total length of CTRL wiring across the system should not exceed 250 feet to ensure the system operates as per specifications.

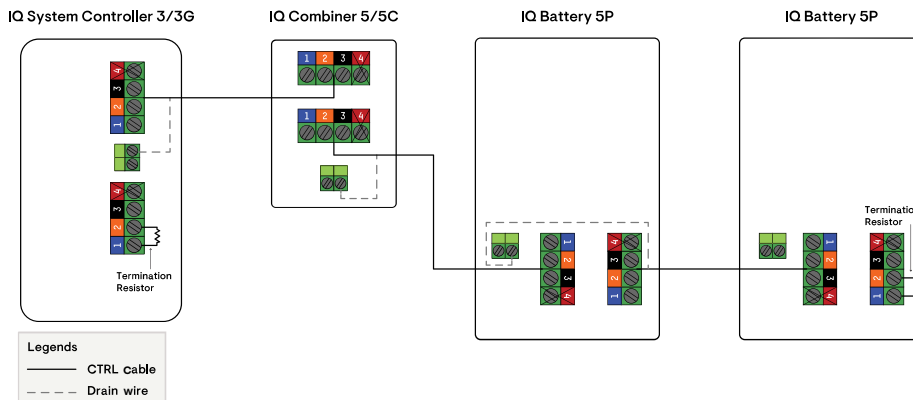
Sequence 1b : IQ Combiner 5/5C -> IQ System Controller 3 -> IQ Battery(s) 5P

This is only applicable to IQ System Controller 3 where the third DER port can be used for additional batteries



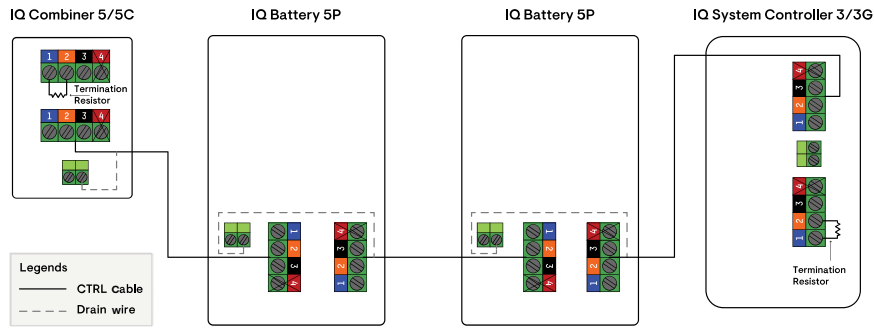
NOTE: The total length of CTRL wiring across the system should not exceed 250 feet to ensure the system operates as per specifications.

Sequence 2: IQ System Controller 3/3G -> IQ Combiner 5/5C -> IQ Battery(s) 5P



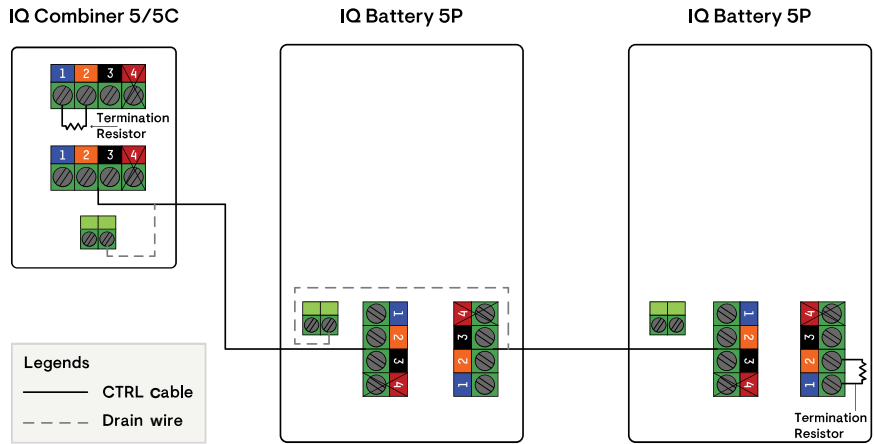
NOTE: The total length of CTRL wiring across the system should not exceed 250 feet to ensure the system operates as per specifications.

Sequence 3: IQ Combiner 5/5C -> IQ Battery(s) 5P -> IQ System Controller 3/3G



NOTE: The total length of CTRL wiring across the system should not exceed 250 feet to ensure the system operates as per specifications.

Sequence 4*: IQ Combiner 5/5C -> IQ Battery(s) 5P



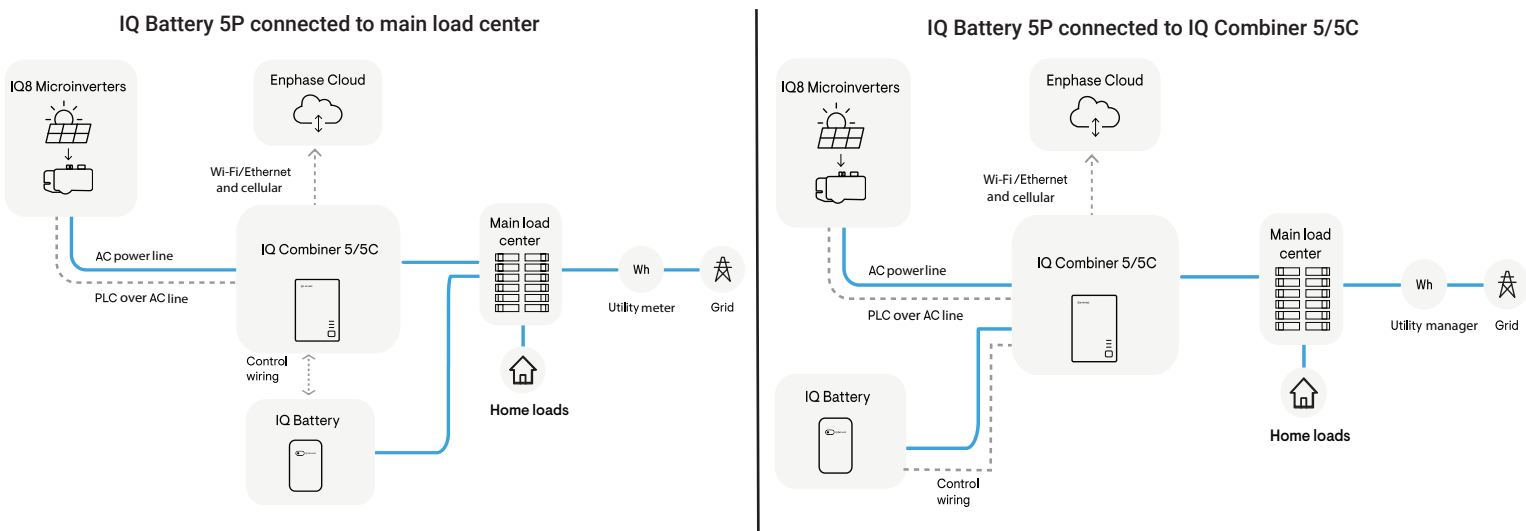
NOTE: The total length of CTRL wiring across the system should not exceed 250 feet to ensure the system operates as per specifications.

The table below provides the termination resistor locations for the above sequences:

Control wiring sequence	Termination resistor location
IQ Combiner 5/5C → IQ System Controller 3/3G → IQ Battery(s) 5P	IQ Combiner 5/5C
	Last IQ Battery 5P in the daisy chain
IQ Combiner 5/5C → IQ Battery(s) 5P → IQ System Controller 3/3G	IQ Combiner 5/5C
	IQ System Controller 3/3G
IQ System Controller 3/3G → IQ Combiner 5/5C → IQ Battery(s) 5P	IQ System Controller 3/3G
	Last IQ Battery 5P in the daisy chain
IQ Combiner 5/5C → IQ Battery(s) 5P	IQ Combiner 5/5C
	Last IQ Battery 5P in the daisy chain

***Grid-tied system configuration**

IQ Combiner 5/5C can be used with IQ Battery 5P without an IQ System Controller 3/3G for grid-tied systems



INSTALLATION – Part 3

You must complete Installation Part 3 AFTER installing any Enphase microinverters, IQ Battery 5P, and/or IQ System Controller.

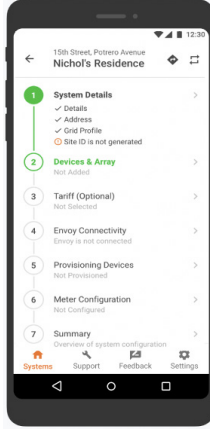
8 Detect devices

- A) Turn on the DG breaker(s).
- B) Use one of the following methods to detect devices:

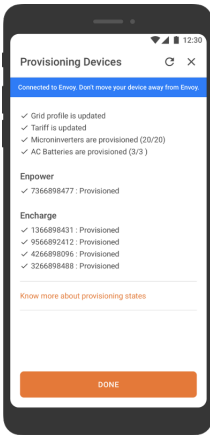
Method A: Provision devices with Enphase Installer App

Use the Enphase Installer App to configure the IQ Gateway with the serial numbers of the installed devices.

- A) Launch the Enphase Installer App and tap “Systems”.
- B) Select the system you are working with, or tap **[+]** to add a system.
- C) Make sure that the system details are added (Step 1) and that an appropriate grid profile is set for the system as shown.
- D) Go to “Devices & Array” (Step 2) and add the total number of devices of each type in the system. Tap “edit” if you need to edit previously entered data.
- E) Make sure to tap each device type and scan the devices using the camera scanner. You can also create arrays or assign microinverters to arrays.



- F) Connect to the IQ Gateway with your mobile device (smartphone or tablet). The AP mode LED  lights solid green when the network is available.
- On the IQ Gateway if the AP mode LED  is not lit, press the AP mode button.
- On your mobile device, go to **Settings** and join the Wi-Fi network “IQ Gateway_nnnnnn” (where “nnnnnn” equals the final six digits of the IQ Gateway serial number).
- G) Input tariff details in Enphase Installer App Step 3.
- H) Go to Step 4 (IQ Gateway connectivity) and make sure your device is connected to IQ Gateway. Tap **Start provisioning devices**.
- I) Make sure that all the installed devices are provisioned as shown.



Method B: Discover devices with the Enphase Installer App

The microinverters can also be added to the system via a PLC scan option available in the Enphase Installer App. However, we recommend using Method A to avoid erroneous cross-talk with nearby system devices.

With both methods



If the Device Communications LED remains solid red, see *Troubleshooting* .

9 Verify system configuration

While still connected to the IQ Gateway with the Enphase Installer App, check the System screen for the following:

- A) For microinverters, confirm that the expected number of devices are detected and communicating by navigating to **Devices & Array** -> **Microinverters & Array** and check that the status is **Producing**.

- B) Check that the grid profile is set for all the microinverters. Setting the profile may take up to 5 minutes for a typical system.
- C) To check if IQ Battery 5P and/or IQ System Controller are connected, navigate to **Devices & Array** -> **IQ Battery 5P** or **IQ System Controller** -> **<serial number>** and make sure they are communicating.
- D) Tap **Step 6**, go to **Production Meter** and follow the wizard to enable the production meter.
- E) Tap **Consumption Meter** and follow the on-screen instructions to enable the consumption meter.
- F) Tap **Storage Meter** and follow the on-screen instructions to enable the IQ Battery meter.
- G) Verify the meter readings.
- H) Tap **Live Status** and conduct functional testing.

If you used the Enphase Installer App to detect devices, the Power Production LED  lights are solid green when all expected microinverters are producing power. If you did not use the Enphase Installer App, it lights solid green if all communicating microinverters are producing power. It flashes green when devices are upgrading. Check the Enphase Installer App for production status details. If the Power Production LED remains red, see *Troubleshooting* .

10 Connect to Enphase Installer Platform over cellular (Model X-IQ-AM1-240-5C only)

The IQ Combiner 5C includes an Enphase Mobile Connect. (The IQ Combiner 5 does not include the modem.) The Enphase Mobile Connect LTE-M1 cell modem connects to AT&T's or T-Mobile's LTE-M network. Reference AT&T's or T-Mobile's LTE coverage maps, if needed.

Confirm that the USB cable between IQ Gateway and the cell modem is connected at both ends. Only one USB port is available on the IQ Gateway for the Mobile Connect. The other is dedicated to CTRL communication.

If receiving power from the IQ Gateway, the modem power LED lights.

Within three minutes the Network Communications LED  lights solid green, indicating a successful connection to the Enphase Installer App.

If the Network Communications LED remains off or lights solid red, see *Troubleshooting in the Enphase Mobile Connect Installation Guide*.


Checking connection status and cellular signal strength

An IQ Gateway with Mobile Connect automatically reports to the Enphase Installer App. When the IQ Gateway establishes an Internet connection through the cellular modem, the IQ Gateway Network Communications LED glows solid green.

You can use the Enphase Installer App to check the modem status and cellular signal strength. The IQ Gateway's AP (access point) Wi-Fi network allows you to connect your mobile device (smartphone or tablet) to the IQ Gateway.



Warning! If you have already installed and connected the Mobile Connect to IQ Gateway, do NOT move the modem to another IQ Gateway. This will deactivate the modem.

- A) On the IQ Gateway, the AP mode LED  lights solid green when the network is available. If the AP mode LED is not lit, press the AP mode button.
- B) On your mobile device, go to **Settings** and join the Wi-Fi network “IQ Gateway_nnnnnn” (where “nnnnnn” represents the final six digits of the IQ Gateway serial number).
- C) Launch the Enphase Installer App, go to your system, and tap **IQ Gateway connectivity**.
- D) Make sure that the IQ Gateway is connected to your mobile device, verify the network configuration, and view the cellular connection status.

11 Connect to Enphase Installer Platform over Wi-Fi

Configuring Wi-Fi requires a wireless router with an internet connection.

- If the router supports WPS, press and hold the WPS button on the wireless router for a few seconds. On most routers, a WPS indicator begins flashing.
- If you are using the Enphase Installer App, go to your system and tap Enphase Installer App Step 4 (**IQ Gateway connectivity**), tap **Wi-Fi**, and then tap your network from the list of available networks. If the wireless router does not support WPS, you may be prompted to enter a password.

The network communications LED begins flashing green. Within three minutes the same LED lights solid green, indicating a successful connection to the Enphase Installer App. If the Network Communications LED remains off or lights solid red, see the Troubleshooting section.

12 Send system summary report

When you have completed your system setup, you can generate and email a summary report.

The report displays IQ Gateway and system information with a list of device serial numbers, their last power reports, and information about the grid profile applied to the microinverters as shown.



13 Activate monitoring

Register the IQ Gateway in Enphase Installer App (<https://enphase.com/installers/apps>).

Method A: If the IQ Gateway is associated with a system in the Enphase Installer App

- On your mobile device, go to **Settings** and disconnect from the IQ Gateway's AP Wi-Fi network.
- Return to the Enphase Installer App, select your system, and tap **Sync** on the upper right corner.
- When you have access to a computer, log in to Enphase Installer Platform and select the system name from the Activation List on the dashboard.
- From the activation form, open Array Builder.

If you used the Enphase Installer App to build arrays and scan device serial numbers, the array(s) are built. Make any necessary adjustments in Array Builder.

If you did NOT use the Enphase Installer App to build arrays and scan device serial numbers, create the virtual array in Array Builder using the installation map as your reference.

Method B: If the IQ Gateway is not associated with a system in the Enphase Installer App

- Log in to the Enphase Installer App and click **Add a New System** from the dashboard.
- Enter the System, Installer, Owner, and Location information.
- Enter the IQ Gateway serial number.
- Click **Save** to submit the form.
- After the devices have reported to Enphase Installer App, open Array Builder from the activation form, and create the virtual array, using the installation map as your reference.

Checking the Mobile Connect status LEDs

The modem has the following status LEDs

- Power
- Link
- Signal

The following tables list the LED indicator status. The LEDs may be difficult to see if you view them from an angle. View the LEDs straight on.

Power

LED	Indicates
Off	DC power is not present
On	DC power is present

Link

LED	Indicates
Flashing slowly (200 ms high/1800 ms low)	Network searching
Flashing slowly (1800 ms high/200 ms low)	Idle
Flashing quickly (125 ms high/125 ms low)	Data transfer is occurring

Signal

LEDs	Description	Indicates
	All off	Very weak signal
	Bar 1 ON	Weak signal
	Bar 1 and 2 ON	Good signal
	Bar 1, 2, and 3 ON	Very good signal

Troubleshooting

Issue	Action
No communication with the Enphase Installer App after connecting the cellular modem to the IQ Gateway.	<ol style="list-style-type: none"> Disconnect the USB cable. Power cycle the IQ Gateway. Wait until the IQ Gateway boots completely. Reconnect the cellular modem USB cable.
I want to disconnect the modem and re-use it at a different site.	Moving the modem to a different IQ Gateway deactivates the modem. Contact Enphase Support if you need to re-install the modem at a different site.

Setting up Enphase Power Control

The Enphase Energy system supports four Enphase Power Control use cases:

1. **Main Panel Upgrade (MPU) Avoidance Mode with PV current limiting** - This feature, applicable in a partial home backup scenario, limits the back feed of the PV back to the grid to avoid having to upsize the main panel.

The National Electric Code (NEC) 2020 705.12 allows back feed of current from solar/storage into the main panel subject to the following limit:

Backfeed allowed \leq ((120% of busbar rating) – Ampacity of the overcurrent protection device protecting the busbar)/125%

2. **Battery Import Only Mode for Enphase Energy System** - This feature ensures the IQ Battery 5P never exports any power to the grid. This applies to irrespective of the configured battery smart profile, i.e., self-consumption, full backup, or savings (time of use) with optimization.

3. **Aggregate power export limit** - This feature ensures that the aggregate power exported to the grid is limited to the aggregate Power Export Limit (PEL) defined by the installer.

4. **IQ Battery Oversubscription Mode** - This feature allows for more IQ Battery to be installed against a given IQ Battery breaker in the IQ System Controller by ensuring that the total continuous output current from the IQ Batteries on the battery port does not exceed 80% of the battery breaker rating.

IQ System Controller SKU	Maximum no. of IQ Battery 5P	Max energy (kWh)	Max power (kW)
SC200D111C240US01	16*	80 kWh	30.72 kW
SC200G111C240US01	8	40 kWh	15.36 kW

*maximum of 8 each on IQ Battery Port and additional DER port.

Setting up Enphase Power Control on-site during commissioning

1. **Ensure the availability of the following Enphase products, as required, on-site to implement Enphase Power Control.**

Product	SKU
IQ System Controller 3/3G	SC200D111C240US01, SC200G111C240US01
IQ Combiner 5/5C	X-IQ-AM1-240-5, X-IQ-AM1-240-5C
IQ Battery 5P	IQBATTERY-5P-1P-NA
Microinverters	IQ8 Series Microinverters

2. Installation of the CTs

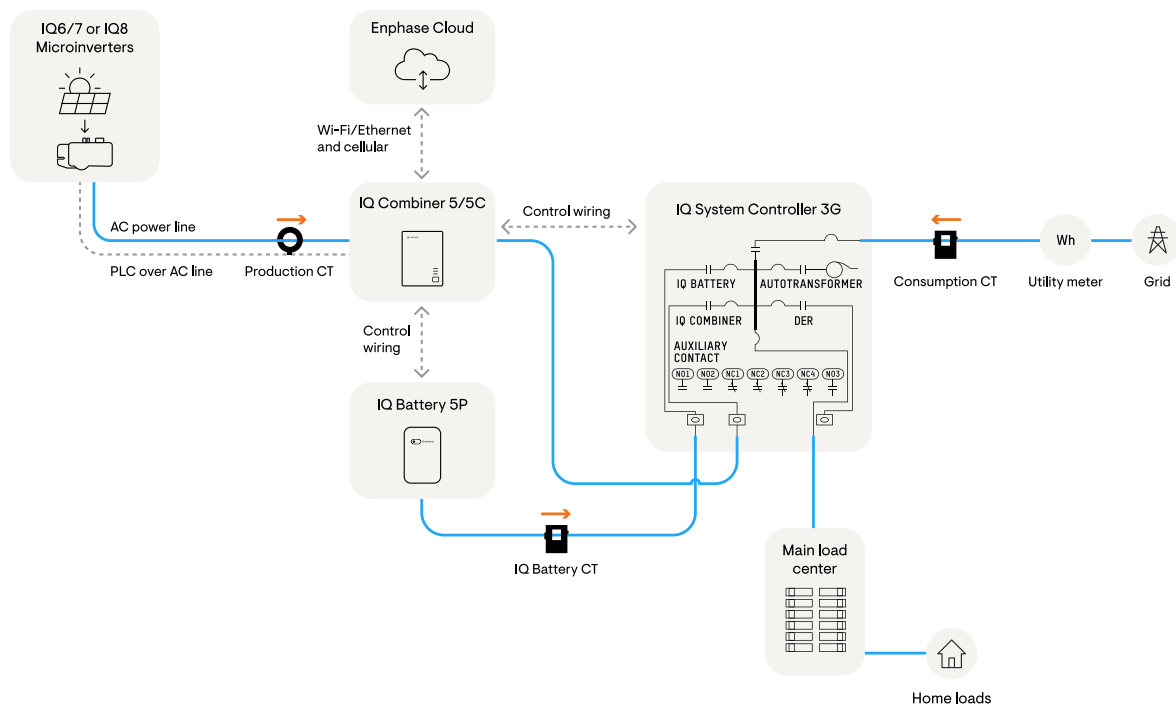
Based on the type of system (grid-forming or grid-tied) and the Enphase Power Control feature being enabled, the CTs may have to be installed in different locations on a site

For grid-forming systems

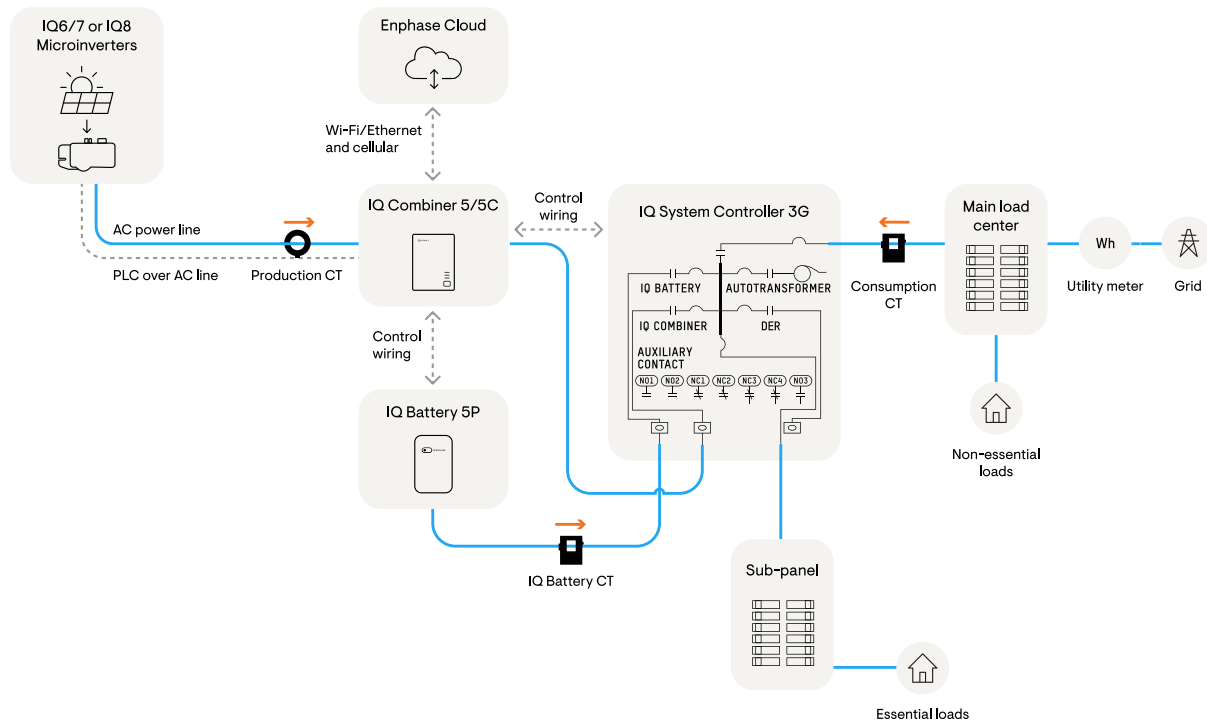
Use Case	CT type	Quantity	CT Installation location	Conductor measured	Direction of arrow
Whole home backup	Consumption CT	2	IQ System Controller	The conductor from the utility meter to the IQ System Controller	Towards the mains breaker inside the IQ System Controller 3/3G (away from the utility meter)
Partial home backup without MPU avoidance	Consumption CT	2	Main panel	The conductor from the utility meter to the main panel	Towards the mains breaker inside the main panel (away from utility meter)
Partial home backup with MPU avoidance or generator installation	Consumption CT	2	IQ System Controller	The conductor from the main panel to the IQ System Controller	Towards the mains breaker inside the IQ System Controller 3/3G (away from the main panel)
All grid-forming systems	Production CT*	1	IQ Combiner 5/5C	L1 of all PV branch circuits	Away from the PV (towards the PV breakers in the IQ Combiner 5/5C)
All grid-forming systems	IQ Battery CT	1	IQ System Controller	L2 of all IQ Battery circuits	Away from the IQ Battery (towards the battery lugs on the IQ System Controller)

* IQ Combiner 5/5C has the production CT pre-wired in the box.

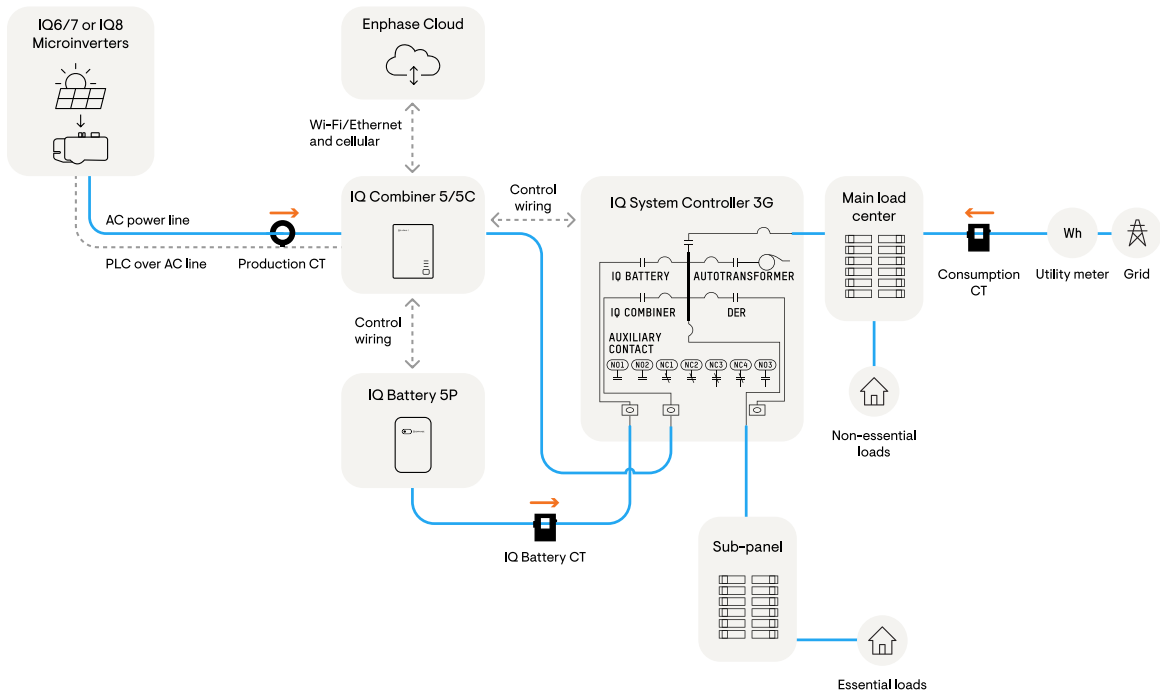
Whole home backup



Partial home backup with MPU avoidance

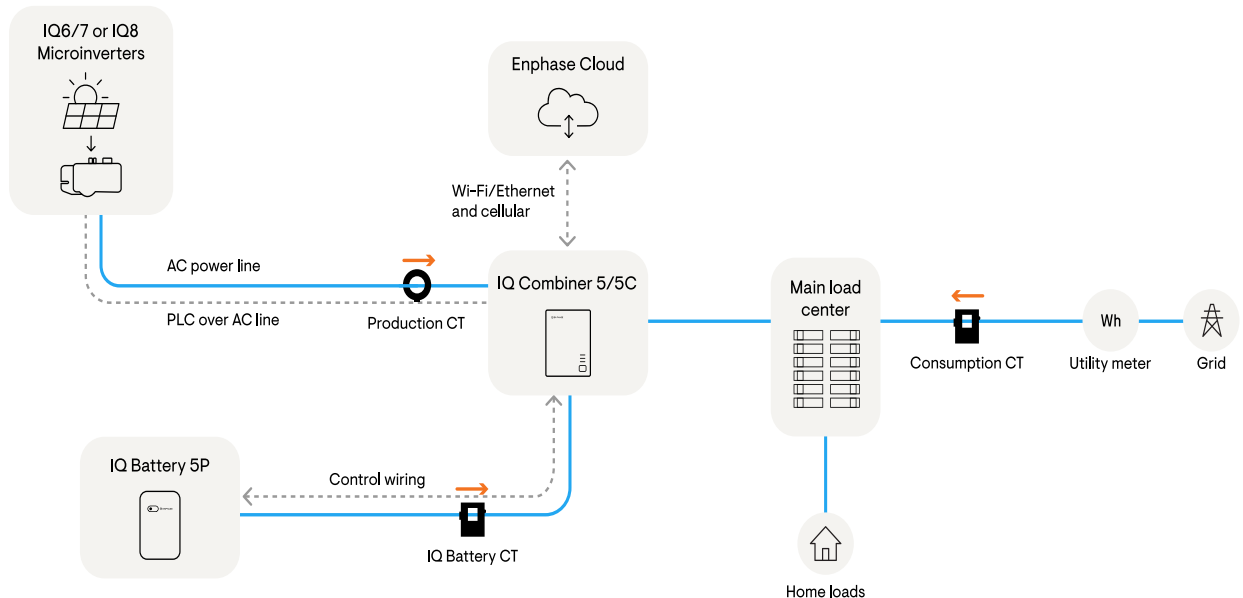


Partial home backup without MPU avoidance



For grid-tied systems

CT type	Quantity	Location	Conductor mea- sured	Direction of arrow
Consumption CT	2	Main panel	Conductor from the mains breaker in the main panel to the utility meter	Towards the mains breaker(away from the grid) in the main panel
Production CT	1	IQ Combiner 5/5C	L1 of all PV branch circuits	Away from the PV (towards the PV breakers in the IQ Combiner 5/5C)
IQ Battery CT	1	IQ Combiner 5/5C	L2 of all IQ Battery CTs	Away from the IQ Battery (towards the battery breaker in the IQ Combiner 5/5C)



3. Ensure all the busbars and conductors controlled by Enphase Power Control are protected with suitably rated overcurrent devices that are appropriately sized for the busbar rating and conductor ampacity.

4. For sites with **Main Panel Upgrade(MPU) Avoidance** mode enabled, indicate, with a label, the maximum current setting for back feed that is controlled by the Enphase Power Control.

For grid-forming systems, apply the label on the IQ System Controller 3/3G dead front. Record the maximum operating amps value on the label. The label is provided as part of the IQ System Controller literature kit.

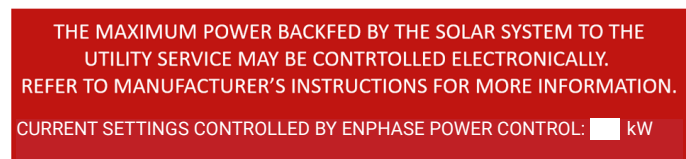
For grid-tied systems, apply the same label on the IQ Combiner 5 dead front (to the right of the lower breaker cover slots). Record the maximum operating amps value on the label. The label is provided as part of the IQ Combiner 5/5C accessory.



5. For sites with **Aggregate Power Export Limiting (PEL)** enabled, indicate, with a label, the maximum power setting for back feed from the solar system to the utility service that is controlled by the Enphase Power Control.

For grid-forming systems, apply the label on the IQ System Controller 3/3G dead front. Record the maximum operating kW value on the label. The label is provided as part of the IQ System Controller literature kit.

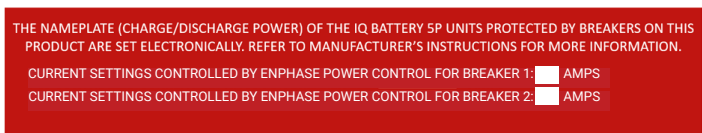
For grid-tied systems, apply the same label on the IQ Combiner 5 dead front (to the right of the lower breaker cover slots). Record the maximum operating kW value on the label. The label is provided as part of the IQ Combiner 5/5C accessory kit.



6. For sites with **IQ Battery oversubscription** enabled, indicate, with a label, the nameplate of the IQ Battery 5P units set electronically that is to be protected by the breaker on the IQ Combiner or IQ System Controller.

For grid-forming systems, apply the IQ Battery oversubscription label on the IQ System Controller 3/3G dead front. Record the maximum operating amps value on the label. The label is provided as part of the IQ System Controller literature kit.

For grid-tied systems, apply the label on the IQ Combiner 5 dead front (to the right of the lower breaker cover slots). The label is provided as part of the IQ Combiner 5/5C accessory kit.



7. The IQ Combiner 5/5C accessory kit also includes an Enphase Power Control label for Current Transformers. Use these to apply on the appropriate Current Transformer that enables the Enphase Power Control functionality.

System type	Enphase Power Control feature enabled	Enphase Power Control enabling CT
Grid-forming	MPU avoidance	Consumption CT
Grid-forming	Aggregate power export limiting	Consumption CT
Grid-tied	MPU avoidance	Production CT
Grid-tied	Aggregate power export limiting	Consumption CT




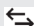


8. Use the site configurations section in the Enphase Installer App to define the Enphase Power Control settings for the site.


TROUBLESHOOTING

Contact Enphase Support (enphase.com/en-us/support/contact) if you have any questions about troubleshooting your system.

a LED overview

LED	State	Description
All	Flashing red in unison	The IQ Gateway is booting up
	Flashing green sequentially	Software upgrade in progress
 Network communications	Solid green	Communicating with the Enphase Installer Platform
	Flashing green	WPS connection in progress, or IQ Gateway is attempting to connect to the Enphase Installer Platform
	Solid red	Local network connection only
	Off	No network connection
 AP mode	Solid green	AP mode enabled: IQ Gateway Wi-Fi network available
	Off	AP mode disabled: IQ Gateway Wi-Fi network unavailable
 Power production	Solid green	All communicating microinverters are producing
	Flashing green	Microinverter upgrade in progress
	Solid red	At least one microinverter is not producing
	Off	Microinverters are not communicating (low light or nighttime)
 Device communications	Solid green	All devices are communicating
	Flashing green	Device scan in progress
	Solid red	At least one device is not communicating
	Off	Devices are not communicating (low light or nighttime)

b Device detection issues

If the device communications LED  lights are red, it may be a result of low light levels. If there isn't enough sunlight to power up the microinverters, they can't communicate with the IQ Gateway.

If there is sufficient daylight for the microinverters to power up, the issue may be that the IQ Gateway is having difficulty communicating over the power lines. To troubleshoot this issue:


- Check the Enphase Installer App to see which devices are not communicating.
- Check that the circuit breaker(s) in the IQ Combiner 5/5C for the PV array is in the ON position.
- Verify that the PV modules are connected to the microinverters.
- Verify the PV module DC voltage is within the allowable range for the microinverter.

c Power production issues

If the power production LED  lights red, check the Enphase Installer App to see which microinverters are not producing:

- If no microinverters are producing power, there may be a grid or wiring issue. First, verify that there is proper input voltage and frequency from the utility. Next, check the breaker and wiring, starting at the load center.
- If all of the non-productive microinverters are on the same branch, check the breaker and wiring starting at the junction box for the affected branch.
- If only one or scattered microinverters are not producing power, first check to see that the AC connectors are fully seated. Next, check that each module is providing the required startup voltage for the microinverter. A PV module that is failing or that is undersized may not generate enough power for AC conversion.

d Internet connection issues

If you are using Wi-Fi and the Network Communications LED  remains off or solid red:

- The WPS connection window may have timed out. Retry the connection steps.
- Make sure that the broadband router is connected and operational by checking that other devices at the site can access the network.
- Check for metal enclosures or obstructions that may be impeding wireless communication.
- If you don't see your router/access point in the list on the IQ Gateway, or cannot maintain a connection, you may need to add a wireless repeater to extend the network range.

If you are using the Enphase Mobile Connect and the Network Communications LED remains off or lights red, see Troubleshooting in the *Enphase Mobile Connect Installation Guide*.

If you replace your router, configure the IQ Gateway Wi-Fi settings for the new wireless network name (SSID) and password, or use the WPS function described in Installation Step 10.

e Loss of AC to a single branch of microinverters

If a single branch of microinverters is not producing, it may indicate a loss of AC to the branch.

- Use a multi-meter set to AC to test the breaker lugs. The result should be around 240 VAC.
- If not, switch the breaker off and on to reset.

f Inoperable IQ Gateway (all LEDs off)

If the IQ Gateway is not receiving power, all LEDs will be off.

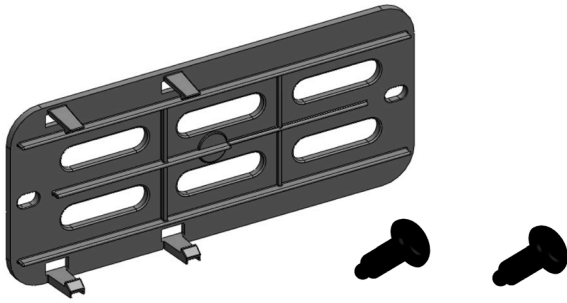
- Use a multimeter set to AC to test line 1 on the IQ Gateway breaker to the AC neutral busbar. The result should be around 120 VAC.

g Inoperable IQ Gateway and no AC to branch

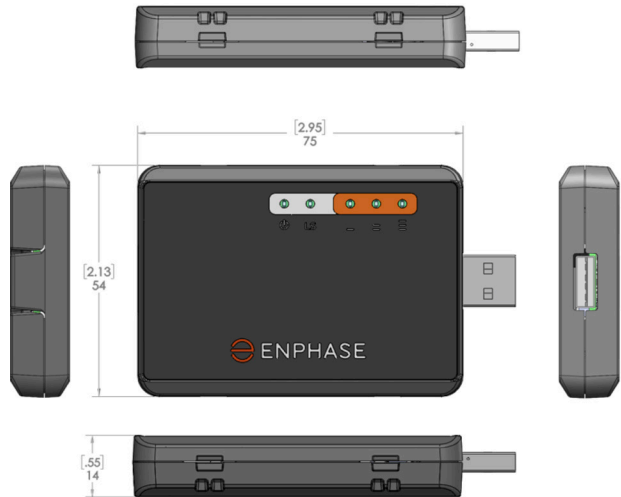
If a branch of microinverters is not producing and the IQ Gateway LEDs are off:

- Test at the main lugs for L-L and L-N voltages. The results should be around 240 VAC and 120 VAC respectively. If not, there may be a problem with the wiring from the panel.

Mounting rail and rivets



Enphase Mobile Connect dimensions



REGULATORY NOTICES

(Model X-IQ-AM1-240-5C only)

FCC - Antenna - wireless products only

The antenna intended for use with this unit meets the requirements for mobile operating configurations and fixed-mounted operations, as defined in 2.1091 and 1.1307 of the FCC rules for satisfying RF exposure compliance. If an alternate antenna is used, consult user documentation for required antenna specifications.

FCC - 47 CFR Part 15 Regulation

This equipment has been tested and found to comply with the limits for a Class B digital device, pursuant to part 15 of the FCC Rules. These limits are designed to provide reasonable protection against harmful interference in a residential installation.

This equipment generates, uses, and can radiate radio frequency energy and, if not installed and used in accordance with the instructions, may cause harmful interference to radio communications. However, there is no guarantee that interference will not occur in a particular installation.

If this equipment does cause harmful interference to radio or television reception, which can be determined by turning the equipment off and on, the user is encouraged to try to correct the interference by one or more of the following measures:

- Reorient or relocate the receiving antenna.
- Increase the separation between the equipment and the receiver.
- Connect the equipment to an outlet on a circuit different from that to which the receiver is connected.
- Consult the dealer or an experienced radio/TV technician for help.

This device complies with Part 15 of the 47 CFR rules. Operation of this device is subject to the following conditions: (1) This device may not cause harmful interference, and (2) this device must accept any interference that may cause undesired operation.

Industry Canada Class B Notice

This Class B digital apparatus meets all requirements of the Canadian Interference-Causing Equipment Regulations.

Cet appareil numérique de la classe B respecte toutes les exigences du Règlement Canadien sur le matériel brouilleur.

This device complies with Industry Canada RSS Appliance radio exempt from licensing. The operation is permitted for the following two conditions:

1. the device may not cause harmful interference, and
2. the user of the device must accept any interference suffered, even if the interference is likely to jeopardize the operation.

Le présent appareil est conforme aux CNR d'Industrie Canada applicables aux appareils radio exempts de licence.

L'exploitation est autorisée aux deux conditions suivantes:

1. l'appareil ne doit pas produire de brouillage, et
2. l'utilisateur de l'appareil doit accepter tout brouillage radioélectrique subi, même si le brouillage est susceptible d'en compromettre le fonctionnement.

Industry Canada and FCC

This device complies with Industry Canada license-exempt RSS standard(s) and part 15 of the FCC rules. Operation is subject to the following two conditions:

1. this device may not cause interference, and
2. this device must accept any interference, including interference that may cause undesired operation of the device.

Cet appareil est conforme avec Industrie Canada RSS exemptes de licence standard (s) et la partie 15 des règles de la FCC. Son fonctionnement est soumis aux deux conditions suivantes:

1. l'appareil ne doit pas produire de brouillage, et
2. l'utilisateur de l'appareil doit accepter tout brouillage radioélectrique subi, même si le brouillage est susceptible d'en compromettre le fonctionnement.

EMC, Safety, and R&TTE Directive Compliance

The CE mark is affixed to this product to confirm compliance with the following European Community Directives:

Council Directive 2004/108/EC of 15 December 2004 on the approximation of the laws of Member States relating to electromagnetic compatibility;

and

Council Directive 2006/95/EC of 12 December 2006 on the harmonization of the laws of Member States relating to electrical equipment designed for use within certain voltage limits;

and

Council Directive 2011/65/EU on the restriction of the use of certain hazardous substances in electrical and electronic equipment;

and

Council Directive 1999/5/EC of 9 March 1999 on radio equipment and telecommunications terminal equipment and the mutual recognition of their conformity.



Warning! Changes or modifications to this unit not expressly approved by the party responsible for compliance could void the user's authority to operate the equipment.

SAFETY (all models)

IMPORTANT SAFETY INSTRUCTIONS

SAVE THESE INSTRUCTIONS

Follow these important instructions during the installation and maintenance of the IQ Combiner 5/5C.

Safety and Advisory Symbols

	DANGER: This indicates a hazardous situation, which if not avoided, will result in death or serious injury.
	WARNING: This indicates a situation where failure to follow instructions may be a safety hazard or cause equipment malfunction. Use extreme caution and follow instructions carefully.
	NOTE: This indicates information particularly important for optimal system operation. Follow instructions carefully.

Safety Instructions

	DANGER: Risk of electric shock. Risk of fire. Do not attempt to repair the IQ Gateway; it contains no user-serviceable parts. Tampering with the IQ Gateway will void the warranty. If the IQ Gateway fails, contact Enphase Support for assistance (enphase.com/en-us/support/contact).
	DANGER: Risk of electrocution! Do not install CTs when current flows in the sensed circuit. Always install CT wires in the terminal blocks before energizing the sensed circuit.
	DANGER: Risk of electric shock. Do not use Enphase equipment in a manner not specified by the manufacturer. Doing so may cause death or injury to persons or damage to equipment.
	DANGER: Risk of electric shock. Be aware that installation of this equipment includes the risk of electric shock. Do not install the IQ Combiner 5/5C without first removing AC power from the Enphase System. Ensure the power coming from the microinverters is de-energized before servicing or installing.
	DANGER: Risk of electric shock. Risk of fire. Only qualified personnel should troubleshoot, install, or replace the IQ Combiner 5/5C.
	DANGER: Risk of electric shock. Improper servicing of the IQ Combiner 5/5C or its components may result in a risk of shock, fire, or explosion. To reduce these risks, disconnect all wiring before attempting any maintenance or cleaning.
	DANGER: Risk of electric shock. Always de-energize the AC branch circuit before servicing. While connectors are rated for disconnecting under load, it is a best practice to de-energize before disconnecting.
	DANGER: Risk of electric shock. Risk of fire. Only use the electrical system components approved for wet locations.
	DANGER: Risk of electric shock. Risk of fire. Ensure that all wiring is correct and that none of the wires are pinched or damaged.
	DANGER: Risk of electric shock. Risk of fire. Do not work alone. Someone should be in the range of your voice or close enough to come to your aid when you work with or near electrical equipment. Remove rings, bracelets, necklaces, watches, etc. when working with batteries, photovoltaic modules, or other electrical equipment.
	DANGER: Risk of electric shock. Risk of fire. Before making any connections verify that the circuit breaker(s) are in the off position. Double-check all wiring before applying power.
	DANGER: Risk of electric shock. Risk of fire. Do not wire unused terminals or terminal blocks on the IQ Gateway.

FCC Statement: This equipment has been tested and found to comply with the limits for a Class B digital device, pursuant to part 15 of the FCC Rules. These limits are designed to provide reasonable protection against harmful interference in a residential installation.

This equipment generates, uses, and can radiate radio frequency energy and, if not installed and used in accordance with the instructions, may cause harmful interference to radio communications. However, there is no guarantee that interference will not occur in a particular installation.

If this equipment does cause harmful interference to radio or television reception, which can be determined by turning the equipment off and on, you are encouraged to try to correct the interference by one or more of the following measures:

- Reorient or relocate the receiving antenna.
 - Increase the separation between the equipment and the receiver.
 - Connect the equipment to an outlet on a circuit different from that to which the receiver is connected.
 - Consult the dealer or an experienced radio/TV technician for help.
- Changes or modifications not expressly approved by the party responsible for compliance may void the user's authority to operate the equipment.

This Class B digital apparatus complies with Industry Canada ICES-003.

	WARNING: Risk of electric shock. To maintain the warranty, do not modify the dead front other than to remove filler plates, as needed.
	WARNING: Before installing or using the IQ Combiner 5/5C, read all instructions and cautionary markings in the technical description and on the equipment.
	WARNING: Use the circuit breakers in the IQ Combiner 5/5C only for serving Enphase equipment. No other loads are allowed.
	WARNING: This unit is not provided with a GFDI device. This inverter or charge controller must be used with an external GFDI device as required by Article 690 of the National Electrical Code for the installation location.
	WARNING: The IQ Combiner 5/5C has a pre-installed heat shield attached to the enclosure door. Do not remove the heat shield.
	WARNING: This product is intended for operation in an environment having a maximum ambient temperature of 46°C (115°F).
	WARNING: Bonding between conduit connections is not automatic and must be provided as part of the installation.
	NOTE: Perform all wiring in accordance with all applicable local electrical codes, with the Canadian Electrical Code, Part I, and with the National Electrical Code (NEC), ANSI/NFPA 70.
	NOTE: Protection against lightning and resulting voltage surges must be in accordance with local standards.
	NOTE: Using unapproved attachments or accessories could result in damage or injury.
	NOTE: Install the IQ Combiner 5/5C in the field with 75°C or higher copper conductors sized per local code requirements and voltage drop/rise considerations.
	NOTE: Use Class 1 wiring methods for field wiring connections to terminals of a Class 2 circuit. Use 14 to 6 AWG wires for branch circuits and 14 to 3 AWG for output circuits. Select the wire gauge used based on the protection provided by the circuit breaker(s)/fuses. Overcurrent protection must be installed as part of the system installation.
	NOTE: To ensure optimal reliability and to meet warranty requirements, the IQ Combiner 5C and/or IQ Combiner 5 must be installed according to the instructions in this guide.

Environmental protection



ELECTRONIC DEVICE: DO NOT THROW AWAY. Waste electrical products should not be disposed of with household waste. Refer to your local codes for disposal requirements.

© 2023 Enphase Energy. All rights reserved. Enphase, the e and CC logos, IQ, and certain other marks listed at <https://enphase.com/trademark-usage-guidelines> are trademarks of Enphase Energy, Inc. in the US and other countries. Data subject to change.

Rev07/2023-08-23



Revision history

REVISION	DATE	DESCRIPTION
140-00254-07	August 2023	Updated Enphase Power Control section
140-00254-06	August 2023	Update to CT cable connections on IQ Gateway
140-00254-05	June 2023	Added integration of PCS
140-00254-05	May 2023	Initial release