

COTEK



Gemini SC Series User's Manual

EN

[Page 3]

SC-1200 / SC-2000 / SC3000
PURE SINE WAVE INVERTER CHARGER

FR

[Page 40]

SC-1200 / SC-2000 / SC3000
ONDULEURS-CHARGEURS PUR SINUS

Table of Content

1. SAFETY INSTRUCTIONS	1
1-1. Warnings and symbols	1
1-2. Use for intended purpose general safety precautions	1
1-3. Other safety notes and installation precautions	1
1-4. Warning regarding the use of batteries	2
2. FUNCTION CHARACTERISTICS INTRODUCTION	3
2-1. System overview	3
2-2. Electrical specification	5
2-3. Mechanical drawings	12
3. INSTALLATION AND MAINTENANCE	13
3-1. Unpacking the product	13
3-2. Front panel	13
3-3. Rear panel	19
3-4. Hardwire Installation	24
3-5. Mounting Instruction	27
4. SYSTEM FUNCTION INTRODUCTION	28
4-1. Battery charger introduction	28
4-2. Operation mode introduction	32
5. CR-20C MENU TREE	35
6. TROUBLE SHOOTING	37
6-1. Error code (Displayed on CR-20C remote only)	39
7. IMPORTANT SAFETY INSTRUCTIONS	40
8. WARRANTY	42

1. Safety Instructions

1-1. Warnings and symbols

Safety instructions and warnings are marked in this manual by the following pictograms :



Supplementary information on operating the device.



CAUTION

Safety instruction: Failure to observe this instruction can cause material damage and impair the function of the device.



CAUTION

Safety instruction relating to a danger from an electrical current or voltage. Failure to observe this instruction can cause material damage and personal injury and impair the function of the device.



WARNING!

SAVE THESE INSTRUCTIONS – This manual contains important instructions that should be followed during installation and maintenance of the unit.

1-2. Use for intended purpose general safety precautions

The unit is constructed as per the applicable safety-technical guidelines.

- For the charging of lead acid batteries and the supply of user attached to these batteries, in permanent systems.
- For the conversion of a DC voltage from a battery to and AC voltage.
- Do not expose the unit to rain, snow, spray or dust. To reduce the risk of fire hazard, do not cover or obstruct the ventilation openings and. do not install the unit in a zero-clearance compartment.
- To avoid the risk of fire and electric shock, make sure that the existing wiring is in good electrical condition; and that the wire size is not undersized.

Do not operate the unit with damaged or substandard wiring.

- Depending on the use, the AC output of the unit may require user installed breaker or fusing. The unit incorporates standard AC short circuit protection.
- The following precautions should be taken when working on the Inverter Charger :
 - ◆ Remove watches, rings, or other metal objects.
 - ◆ Use tools with insulated handles.
 - ◆ Wear rubber gloves and boots.

1-3. Other safety notes and installation precautions

- Upon receipt, examine the shipment box for damage. Notify the carrier immediately, before opening, if damage is evident.
- Do not operate near water or in excessive humidity.
- Do not open or disassemble the unit, warranty may be voided.
- The DC and AC side connections should be firm and tight.

- Grounding : Reliable grounding of rack-mounted equipment should be maintained.
- Do not drop a metal tool on the battery. The resulting sparks or short-circuit on the battery or on the other electrical part may cause an explosion.
- Wiring : Adequate input power must be supplied to the unit for proper use; correct wiring sizes must be ensured.
- Do not operate the unit close to combustible gas or open fire.
- Temperature : The unit should be operated in an ambient temperature range of -20 to 40°C or else the output efficiency may be affected. Air flow to the unit must not be restricted.
- In case of fire, you must use the fire extinguisher which is appropriate for electrical equipment.
- Short circuiting or reversing polarity will lead to serious damage to batteries, unit and the wiring. Fuses between the batteries and the unit cannot prevent damage caused by reversed polarity and the warranty will be void.
- Do not work on unit or system if it is still connected to a power source. Only allow changes in your electrical system to be carried out by qualified electricians.
- Check the wiring and connections at least once a year. Defects such as loose connections, burned cables etc. must be corrected immediately.
- Do not touch the equipment when wet or if your hands are clammy.

**CAUTION**

The cabinet of the unit must not be opened. There are no serviceable parts inside the cabinet. Only qualified, authorized and trained electrician installers are authorized to open the connection compartment.

1-4. Warning regarding the use of batteries

Excessive battery discharge and / or high charging voltage can cause serious damage to batteries. Do not exceed the recommended limits of discharge level of your batteries. Avoid short circuiting batteries, as this may result in explosion and fire hazard. Installation of the batteries and adjustments of the unit should only be undertaken by authorized personnel!

2. Function Characteristics Introduction

2-1. System overview

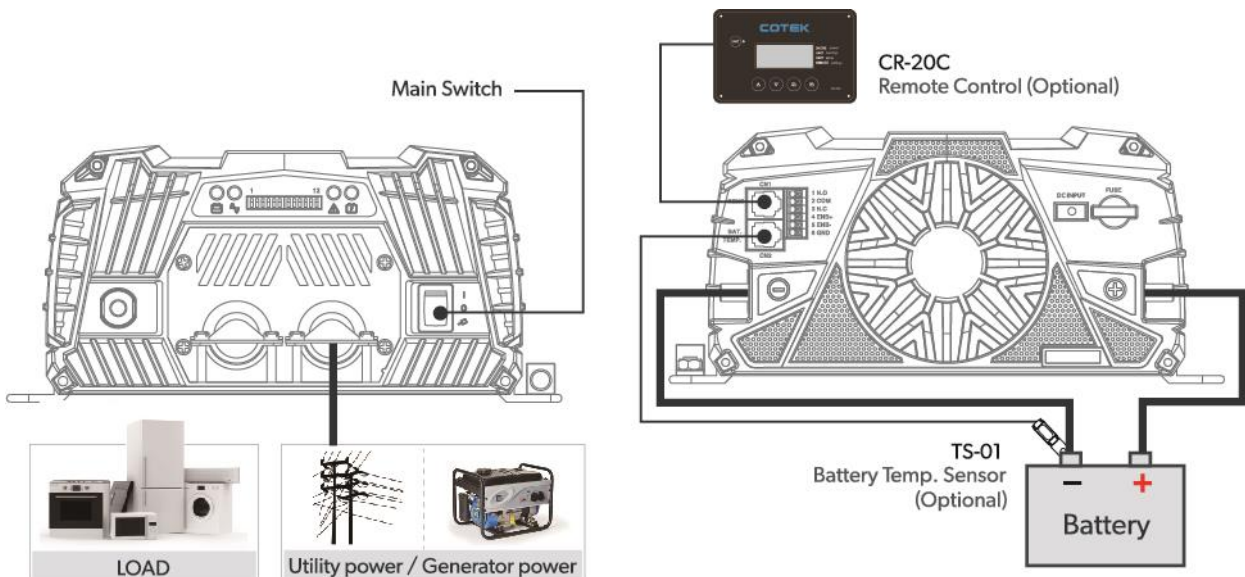
The Gemini SC Series is an inverter / charger system, designed with advanced power electronic and digital signal processor technology offering the following features :

- Bi-directional All-in-One Design.
- Certified by UL, FCC, CE, E-Mark.
- Compact Size - Highly Integration = Installation hassle-free.
- 5-in-1 Operating Modes
- Battery charger current as below table.

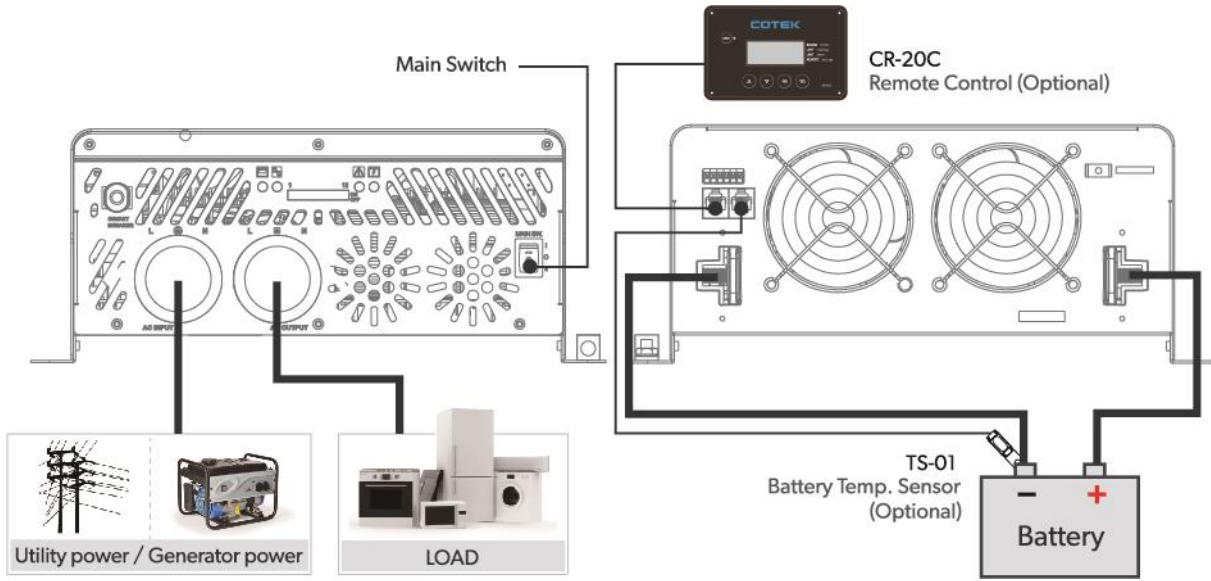
Model No.	MAX	Battery voltage
SC1200-124 SC1200-224	25A	24V
SC1200-112 SC1200-212 SC2000-124 SC2000-224	50A	12V@SC1200 24V@SC2000
SC2000-112 SC2000-212	100A	12V
SC3000-124 SC3000-224	75A	24V
SC3000-112 SC3000-212	150A	12V

Table 1 : Gemini SC series battery charger current

- Equalization charging function for the batteries.



SC-1200 / 2000 System Overview



SC-3000 System Overview

2-2. Electrical specification

Electrical		Specification	Model No.				
		Item	SC-1200-112	SC-1200-124	SC-1200-212	SC-1200-224	
Inverter Mode	Input Characteristics	Nominal Voltage	12 VDC	24 VDC	12 VDC	24 VDC	
		Input Voltage Range ($\pm 0.5V$)	10.5 ~ 16.5 VDC	21 ~ 33 VDC	10.5 ~ 16.5 VDC	21 ~ 33 VDC	
		Input Over-Voltage Protection ($\pm 0.5V$)	16.5 VDC	33 VDC	16.5 VDC	33 VDC	
		Input Over-Voltage Warning ($\pm 0.5V$)	15.5 VDC	31 VDC	15.5 VDC	31 VDC	
		Input Under-Voltage Protection ($\pm 0.5V$)	10.5 VDC	21 VDC	10.5 VDC	21 VDC	
		Input Under-Voltage Warning ($\pm 0.5V$)	11.0 VDC	22.0 VDC	11.0 VDC	22.0 VDC	
		Input Current (Max)	132 A	66 A	132 A	66 A	
		No Load Current	< 3.0 A @12.5V	< 1.5 A @25V	< 3.0 A @12.5V	< 1.5 A @25V	
		Stand-By Current	< 0.4 A	< 0.2 A	< 0.4 A	< 0.2 A	
		Output Characteristics	Continuous Output Power	1200 VA \pm 3%			
	Surge Power		Load 101%~115% (1 Min) / Load 116%~200% (3 Sec)				
			2400 VA (2 Sec)				
	Frequency		50/60 Hz \pm 0.3 Hz (User-selectable)				
	Output Voltage		100 / 110 / 115 / 120VAC \pm 3%		200 / 220 / 230 / 240VAC \pm 3%		
	Max. Efficiency (Full Load)		89%	90%	89%	90%	
	Output Waveform		Pure Sine Wave (THD < 5% @ 12.5V/25V/115VAC, linear load) / (THD < 3% @ 12.5V/25V/230VAC, linear load)				
	INV. AC Output* ¹		12A MAX		6A MAX		
	AC Output* ²	30A MAX		22A MAX			
	Protection	Input Protection	Over / Under Voltage, Reverse Polarity (Internal Fuse)				
		AC Output Protection	Short-Circuit, Overload				
		AC Input Protection	30 Amp Circuit Breaker		16 Amp Circuit Breaker		
		Temperature protection	Shutdown				
		Battery Temperature protection	By a RJ-11 connector to battery Temperature sensor				
	Charger Mode	AC input Characteristics	Nominal Voltage / Frequency	110 VAC, 50 / 60Hz (User-selectable)		230 VAC, 50 / 60Hz (User-selectable)	
			Input Voltage Range	90 ~ 132 VAC		180 ~ 264 VAC	
			Input Frequency Range	50Hz:47 ~ 53 Hz / 60Hz:57 ~ 63 Hz			
			Nominal Current	8.2A (@110VAC)		3.9A (@230VAC)	
			Efficiency (Max.)	>88%			
			AC Input* ³	30 A MAX		16 A MAX	

Electrical		Specification	Model No.			
		Item	SC-1200-112	SC-1200-124	SC-1200-212	SC-1200-224
		Power Factor Correction(PFC)	>0.95 (Max.)			
	Auxiliary DC Output	Output Voltage	Battery Voltage			
		Output Current	20A Max			
	DC Output Characteristics	Charging Current Range	12.5 / 25 / 37.5 / 50A	6.25 / 12.5 / 18.75 / 25A	12.5 / 25 / 37.5 / 50A	6.25 / 12.5 / 18.75 / 25A
		Max. Output Voltage	14.4 VDC @ GEL TYPE	28.8 VDC @ GEL TYPE	14.4 VDC @ GEL TYPE	28.8 VDC @ GEL TYPE
		Battery Temperature Compensation	-25 mV per °C	-50 mV per °C	-25 mV per °C	-50 mV per °C
		Battery Control (3-stage Battery Chargers)	Bulk / Absorption / Float			
	Signal and Control	Remote Control Panel (Optional)	CR-20C / CR-16B / CR-8			
		Remote Control Terminal	Controls the inverter ON / OFF operation			
		Dry Contact Terminal	By a relay			
	Bypass Relay	Relay Specification	30 Amp / 250 VAC			
		Transfer Time	0 sec			
Operating Temperature Range	Full Load	-20 °C ~ 50 °C*				
	Power de-rating	40 W / °C, 51~60 °C				
	Storage	-30 °C~70 °C				
Operating Humidity Range	Max 93%, Non-condensing					
Cooling	Temperature & Load Controlled Cooling Fan					
Power Sharing Function	5-in-1 Operating Modes					
Mechanical Specification	Dimension (W x H x D)	251 x 116 x 386mm				
	Net Weight	4.55Kg				
Safety and EMS	Safety Standards	UL458 & Supplement SA / UL1741		CE EN 62368-1		
	E-mark	---		Certified CISPR 25; ISO7637-2		
	EMC Standards	Certified FCC Class A*4		EN55032 Class A*4, EN55024 Class A*4 EN61000-3-2, 3-3 EN61000-4-2, 3, 4, 5, 6, 8, 11		

Table 2. SC-Series Specification.

Note :

1. Max Inverter output define inverter 100% load output at Vac =100V / 200V
2. Max AC output defined by AC input current + Inverter output current, cannot over the AC input limit current. (based on UL regulation).
3. Max AC Input current (by breaker) is the AC bypass current + the charging current
4. Gemini SC series is a class A product. In a domestic environment this product may cause radio interference in which case the user may be required to take adequate measures.

Electrical		Specification	Model No.				
		Item	SC-2000-112	SC-2000-124	SC-2000-212	SC-2000-224	
Inverter Mode	Input Characteristics	Nominal Voltage	12 VDC	24 VDC	12 VDC	24 VDC	
		Input Voltage Range ($\pm 0.5V$)	10.5 ~ 16.5 VDC	21 ~ 33 VDC	10.5 ~ 16.5 VDC	21 ~ 33 VDC	
		Input Over-Voltage Protection ($\pm 0.5V$)	16.5 VDC	33 VDC	16.5 VDC	33 VDC	
		Input Over-Voltage Warning ($\pm 0.5V$)	15.5 VDC	31 VDC	15.5 VDC	31 VDC	
		Input Under-Voltage Protection ($\pm 0.5V$)	10.5 VDC	21 VDC	10.5 VDC	21 VDC	
		Input Under-Voltage Warning ($\pm 0.5V$)	11.0 VDC	22.0 VDC	11.0 VDC	22.0 VDC	
		Input Current (Max)	260 A	130 A	260 A	130 A	
		No Load Current	< 4.0 A @12.5V	< 2.0 A @25V	< 4.0 A @12.5V	< 2.0 A @25V	
		Stand-By Current	< 0.4 A	< 0.2 A	< 0.4 A	< 0.2 A	
	Output Characteristics	Continuous Output Power	2000 VA \pm 3%				
		Surge Power	Load 101%~115% (1 Min) / Load 116%~200% (3 Sec)				
			4000 VA (2 Sec)				
		Frequency	50/60 Hz \pm 0.3 Hz (User-selectable)				
		Output Voltage	100 / 110 / 115 / 120VAC \pm 3%		200 / 220 / 230 / 240VAC \pm 3%		
		Max. Efficiency (Full Load)	89%	90%	89%	90%	
		Output Waveform	Pure Sine Wave (THD < 5% @ 12.5V/25V/115VAC, linear load) / (THD < 3% @ 12.5V/25V/230VAC, linear load)				
		INV. AC Output* ¹	20A MAX		10A MAX		
	AC Output* ²	30A MAX		26A MAX			
	Protection	Input Protection	Over / Under Voltage, Reverse Polarity (Internal Fuse)				
		AC Output Protection	Short-Circuit, Overload				
		AC Input Protection	30 Amp Circuit Breaker		16 Amp Circuit Breaker		
		Temperature protection	Shutdown				
		Battery Temperature protection	By a RJ-11 connector to battery Temperature sensor				
	Charger Mode	AC input Characteristics	Nominal Voltage / Frequency	110 VAC, 50 / 60Hz (User-selectable)		230 VAC, 50 / 60Hz (User-selectable)	
			Input Voltage Range	90 ~ 132 VAC		180 ~ 264 VAC	
			Input Frequency Range	50Hz:47 ~ 53 Hz / 60Hz:57 ~ 63 Hz			
			Nominal Current	16.5A (@110VAC)		7.9A (@230VAC)	
			Efficiency (Max.)	>88%			
			AC Input* ³	30 A MAX		16 A MAX	
Power Factor Correction(PFC)			>0.95 (Max.)				

Electrical		Specification	Model No.			
		Item	SC-2000-112	SC-2000-124	SC-2000-212	SC-2000-224
	Auxiliary DC Output	Output Voltage	Battery Voltage			
		Output Current	20A Max			
	DC Output Characteristics	Charging Current Range	25 / 50 / 75 / 100A	12.5 / 25 / 37.5 / 50A	25 / 50 / 75 / 100A	12.5 / 25 / 37.5 / 50A
		Max. Output Voltage	14.4 VDC @ GEL TYPE	28.8 VDC @ GEL TYPE	14.4 VDC @ GEL TYPE	28.8 VDC @ GEL TYPE
		Battery Temperature Compensation	-25 mV per °C	-50 mV per °C	-25 mV per °C	-50 mV per °C
		Battery Control (3-stage Battery Chargers)	Bulk / Absorption / Float			
	Signal and Control	Remote Control Panel (Optional)	CR-20C / CR-16B / CR-8			
		Remote Control Terminal	Controls the inverter ON / OFF operation			
		Dry Contact Terminal	By a relay			
	Bypass Relay	Relay Specification	30 Amp / 250 VAC			
		Transfer Time	0 sec			
	Operating Temperature Range	Full Load	-20 °C ~ 40 °C			
Power de-rating		60 W / °C, 41~60 °C				
Storage		-30 °C~70 °C				
Operating Humidity Range	Max 93%, Non-condensing					
Cooling	Temperature & Load Controlled Cooling Fan					
Power Sharing Function	5-in-1 Operating Modes					
Mechanical Specification	Dimension (W x H x D)	251 x 116 x 453mm				
	Net Weight	6 Kg				
Safety and EMS	Safety Standards	UL458 & Supplement SA / UL1741	CE EN 62368-1			
	E-mark	---	Certified CISPR 25; ISO7637-2			
	EMC Standards	Certified FCC Class A*4	EN55032 Class A*4, EN55024 Class A*4 EN61000-3-2, 3-3 EN61000-4-2, 3, 4, 5, 6, 8, 11			

Table 3. SC-Series Specification

Note :

1. Max Inverter output define inverter 100% load output at Vac =100V / 200V
2. Max AC output defined by AC input current + Inverter output current, cannot over the AC input limit current. (based on UL regulation).
3. Max AC Input current (by breaker) is the AC bypass current + the charging current
4. Gemini SC series is a class A product. In a domestic environment this product may cause radio interference in which case the user may be required to take adequate measures.

Electrical		Specification	Model No.				
		Item	SC-3000-112	SC-3000-124	SC-3000-212	SC-3000-224	
Inverter Mode	Input Characteristics	Nominal Voltage	12 VDC	24 VDC	12 VDC	24 VDC	
		Input Voltage Range(±0.5V)	10.5 ~ 16.5 VDC	21 ~ 33 VDC	10.5 ~ 16.5 VDC	21 ~ 33 VDC	
		Input Over-Voltage Protection(±0.5V)	16.5 VDC	33 VDC	16.5 VDC	33 VDC	
		Input Over-Voltage Warning (±0.5V)	15.5 VDC	31 VDC	15.5 VDC	31 VDC	
		Input Under-Voltage Protection (±0.5V)	10.5 VDC	21 VDC	10.5 VDC	21 VDC	
		Input Under-Voltage Warning (±0.5V)	11.0 VDC	22.0 VDC	11.0 VDC	22.0 VDC	
		Input Current (Max)	390 A	195 A	390 A	195 A	
		No Load Current	< 5.0 A @12.5V	< 2.5 A @25V	< 5.0 A @12.5V	< 2.5 A @25V	
		Stand-By Current	< 0.6 A	< 0.3 A	< 0.6 A	< 0.3 A	
	Output Characteristics	Continuous Output Power	3000 VA ± 3%				
		Surge Power	Load 101%~115% (1 Min)				
			6000 VA (2 Sec)				
		Frequency	50/60 Hz ± 0.3 Hz (User-selectable)				
		Output Voltage	100 / 110 / 115 / 120VAC ±3%		200 / 220 / 230 / 240VAC ±3%		
		Max. Efficiency (Full Load)	89%	90%	89%	90%	
		Short-Circuit Protection	Yes , (2 sec)				
		Output Waveform	Pure Sine Wave (THD < 5% @ 12.5V/25V/115VAC, linear load) / (THD < 3% @ 12.5V/25V/230VAC, linear load)				
		INV. AC Output* ¹	30A MAX		15A MAX		
	AC Output* ²	50A MAX		30A MAX			
	Protection	Input Protection	Over / Under Voltage, Reverse Polarity (Internal Fuse)				
		AC Output Protection	Short-Circuit, Overload				
		AC Input Protection	30 Amp Circuit Breaker		16 Amp Circuit Breaker		
		Temperature protection	Shutdown				
		Battery Temperature protection	By a RJ-11 connector to battery Temperature sensor (Working Temp. -20 °C ~50°C)				
	Charger Mode	AC input Characteristics	Nominal Voltage / Frequency	110 VAC, 50 / 60Hz (User-selectable)		230 VAC, 50 / 60Hz (User-selectable)	
			Input Voltage Range	90 ~ 132 VAC		180 ~ 264 VAC	
			Input Frequency Range	50Hz:47 ~ 53 Hz / 60Hz:57 ~ 63 Hz			
Nominal Current			24.5A (@110VAC)		11.7A (@230VAC)		
Efficiency (Max.)			>87%				
AC Input* ³			30 A MAX		16 A MAX		

Electrical		Specification	Model No.			
		Item	SC-3000-112	SC-3000-124	SC-3000-212	SC-3000-224
	Auxiliary DC Output	Power Factor Correction(PFC)	>0.95 (Max.)			
		Output Voltage	Battery Voltage			
		Output Current	20A Max			
	DC Output Characteristics	Charging Current Range	37.5 / 75 / 112.5 / 150A	18.75 / 37.5 / 56.25 / 75A	37.5 / 75 / 112.5 / 150A	18.75 / 37.5 / 56.25 / 75A
		Max. Output Voltage @ GEL TYPE	14.4 VDC	28.8 VDC	14.4 VDC	28.8 VDC
		Battery Temperature Compensation	-25 mV per °C	-50 mV per °C	-25 mV per °C	-50 mV per °C
		Battery Control (3-stage Battery Chargers)	Bulk / Absorption / Float			
	Signal and Control	Remote Control Panel (Optional)	CR-20C / CR-16B / CR-8			
		Remote Control Terminal	Controls the inverter ON / OFF operation			
		Dry Contact Terminal	By a relay			
	Bypass Relay	Relay Specification	30 Amp / 250 VAC			
		Transfer Time	0 sec			
Operating Temperature Range	Full Load	-20 °C ~ 40 °C				
	Power de-rating	40 W / °C, 41~60 °C				
	Storage	-30 °C~70 °C				
Operating Humidity Range	Max 93%, Non-condensing					
Cooling	Temperature & Load Controlled Cooling Fan					
Power Sharing Function	5-in-1 Operating Modes					
Mechanical Specification	Dimension (W x H x D)	314 x 127.4 x 508.8 mm				
	Net Weight	9.6 Kg				
Safety and EMS	Safety Standards	UL458		CE EN 62368-1		
	E-mark	---		Certified CISPR 25; ISO 11452-2; ISO7637-2		
	EMC Standards	Certified FCC Class A*4		EN55032 Class A*4, EN55035 Class A*4, EN61000-3-2, 3-3, EN61000-4-2, 3, 4, 5, 6, 8, 11		

Table 3. SC-Series Specification

Note :

1. Max Inverter output define inverter 100% load output at Vac =100V / 200V
2. Max AC output defined by AC input current + Inverter output current, cannot over the AC input limit current. (based on UL regulation).
3. Max AC Input current (by breaker) is the AC bypass current + the charging current
4. Gemini SC series is a class A product. In a domestic environment this product may cause radio interference in which case the user may be required to take adequate measures.

De-rating Curve

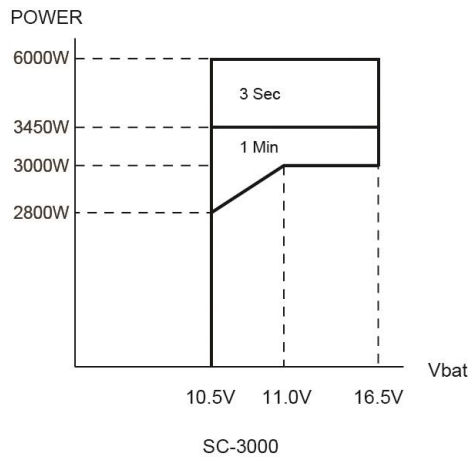
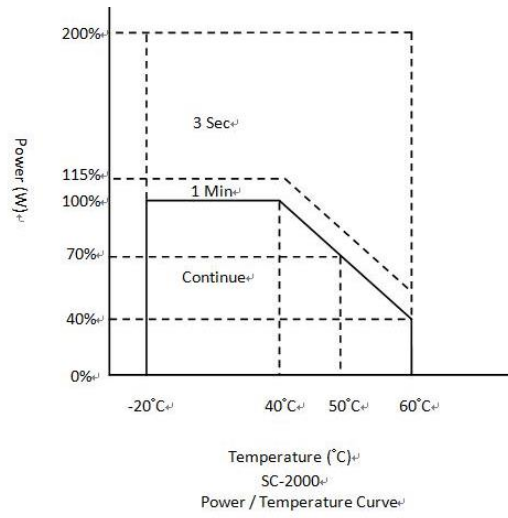
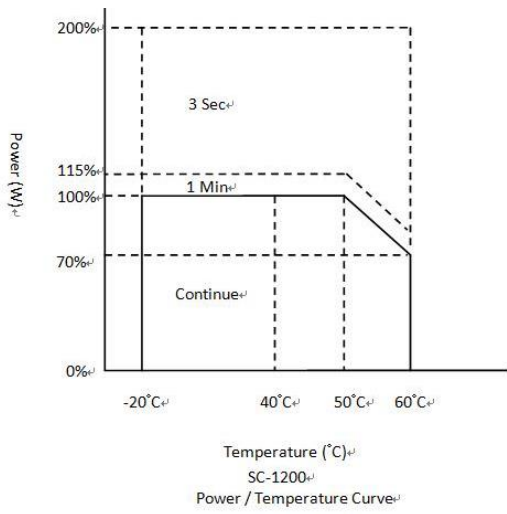


Fig. 2 : Gemini SC series De-rating Curve

2-3. SC1200 / 2000 Mechanical drawings Unit : mm[inch]

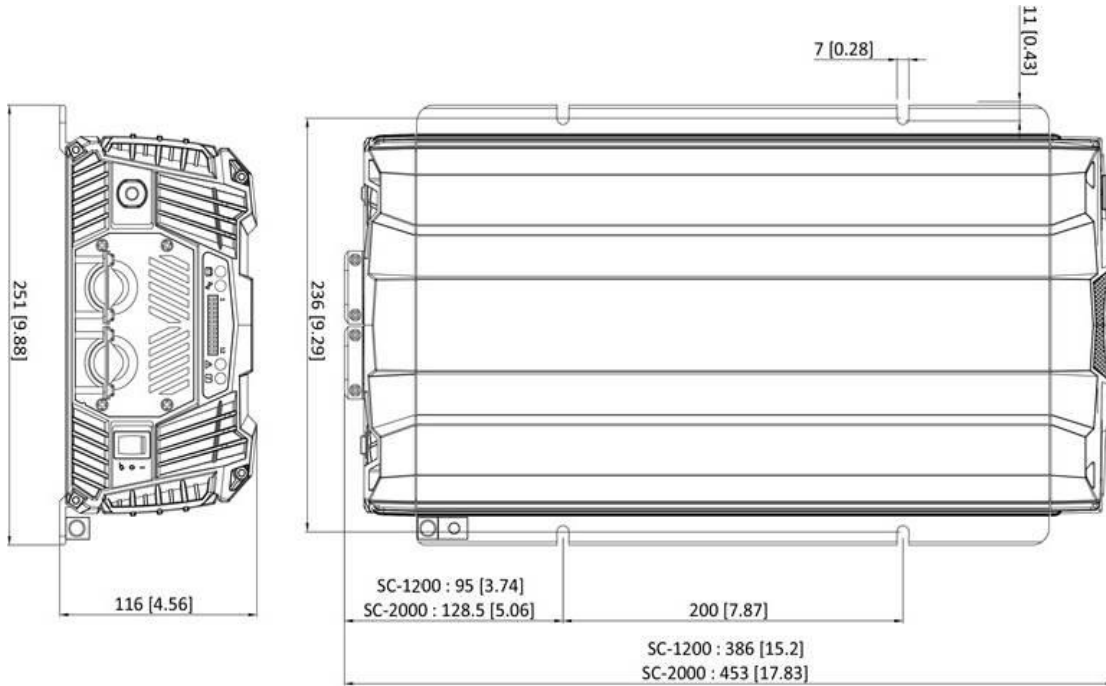


Fig. 3 : SC 1200 / 2000 Mechanical drawings

2-4. SC3000 Mechanical drawing

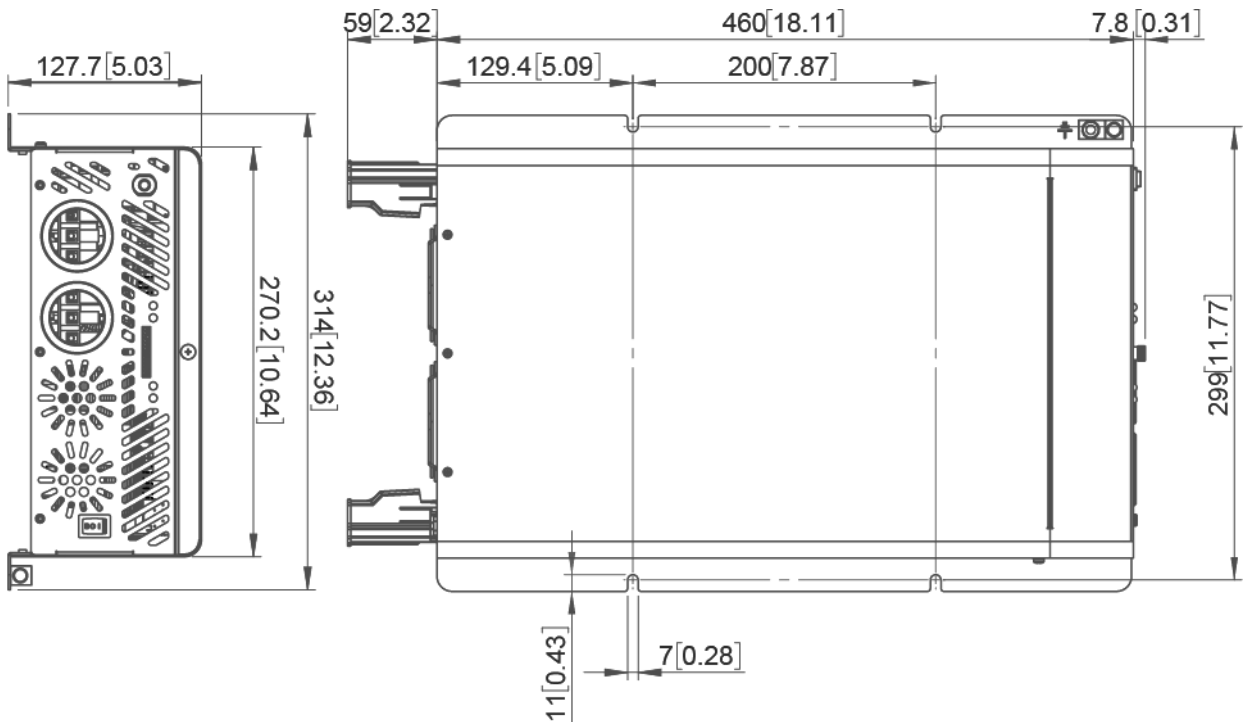


Fig. 4 : SC 3000 Mechanical drawings

3. Installation and Maintenance

During installation and commissioning of the unit, the Safety Guidelines & Measures are applicable at all times. See chapter 1 of this manual.

3-1. Unpacking the product

In addition to the unit the delivery includes :

- Battery temperature sensor TS-01 (optional)
- Remote Control CR-20C (optional or combo pack only)
- Quick Instruction Guide

After unpacking, check the contents for possible damage. Do not use the product if it is damaged. In case of the contents damaged, please contact your supplier.

Check from the identification label whether the battery voltage is the same as the DC-input voltage of the unit (e.g. 12V battery set for a 12V input voltage). Also check that the AC output voltage and output power of the unit satisfies loading requirements.

3-2. Front Panel

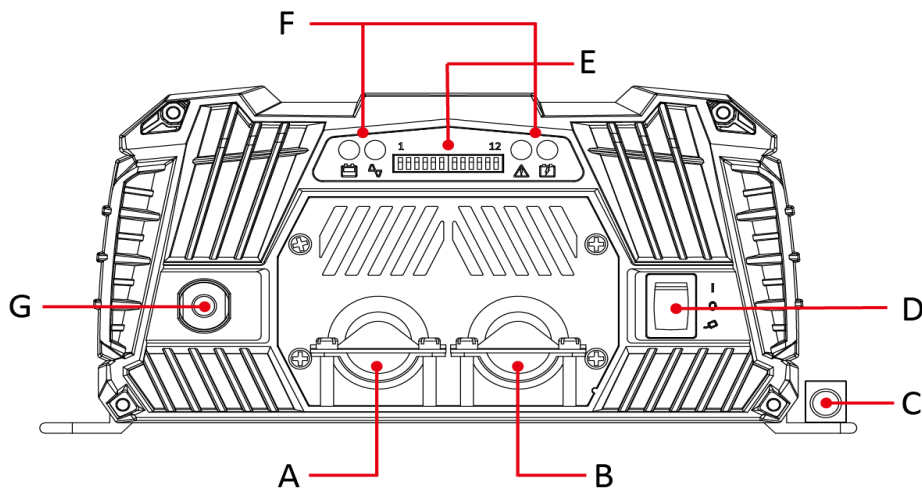


Fig. 5 : SC 1200 / 2000 front panel introduction

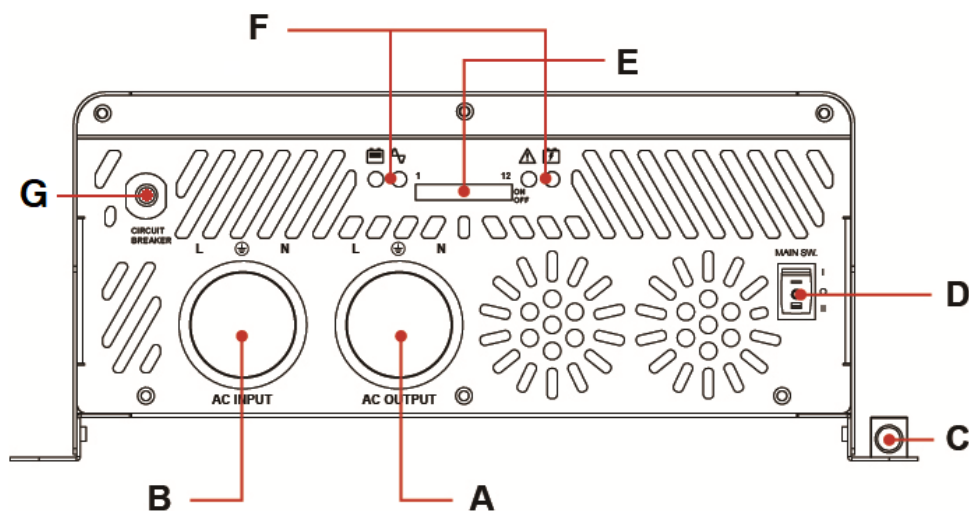
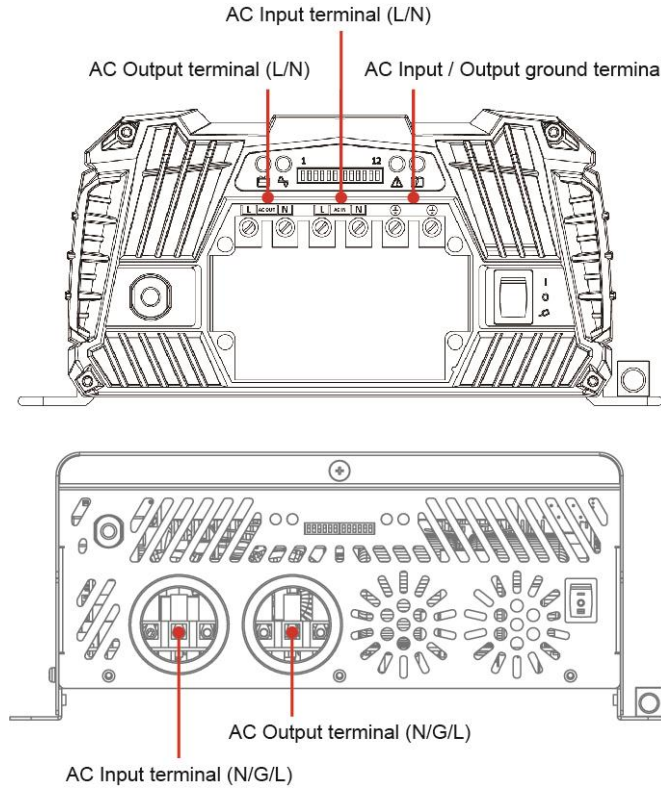


Fig. 6 : SC 3000 front panel introduction

Front panel

A AC Output

Two 3/4 inch knockouts provided with cable-clamp strain reliefs to allow and hold the AC input and output field wiring.



B AC Input

*If the grid power use GFCI or RCD socket, please set up the input current limit following their max current limitation for avoiding the risk of socket damage.

Model No.	AC IN AWG	AC OUT AWG	GROUNDING AWG
SC1200-112	30A/10AWG	30A/10AWG	30A/10AWG
SC1200-124	30A/10AWG	30A/10AWG	30A/10AWG
SC1200-212	16A/12AWG	22A/10AWG	22A/10AWG
SC1200-224	16A/12AWG	22A/10AWG	22A/10AWG
SC2000-112	30A/10AWG	30A/10AWG	30A/10AWG
SC2000-124	30A/10AWG	30A/10AWG	30A/10AWG
SC2000-212	16A/12AWG	26A/10AWG	26A/10AWG
SC2000-224	16A/12AWG	26A/10AWG	26A/10AWG
SC3000-112	30A/10AWG	50A/8AWG	50A/8AWG
SC3000-124	30A/10AWG	50A/8AWG	50A/8AWG
SC3000-212	16A/12AWG	31A/10AWG	31A/10AWG
SC3000-224	16A/12AWG	31A/10AWG	31A/10AWG

C Chassis ground

This connection is used to tie the exposed chassis of the inverter to the DC grounding system. This terminal accepts CU/AL conductors from #14 to #2 AWG (2.1 to 33.6 mm²).


		 <p>WARNING! The ground wire offers protection only if the cabinet of the unit is connected to the safety ground. Connect the chassis ground. Terminal to the hull or the chassis.</p> <p>Refer to local regulations on these issues! For safety purposes the neutral conductor (N) of the AC output must be connected to the earth (PE / GND) when the unit is in inverter operation. When utility power is available on the AC input, and the unit is in charger mode, this connection must be disabled again. In some applications automatic connection between the neutral conductor (N) and earth (PE / GND) is not required or acceptable. Therefore the automatic connection between the neutral conductor (N) and earth (PE / GND) is enabled by default.</p>																					
D	Main switch	The switch for 1.Power ON 2.Power Off 3.Remote Mode.																					
E	DIP switch	<table border="1"> <thead> <tr> <th>Dip Switch</th> <th>Function</th> </tr> </thead> <tbody> <tr> <td>S1</td> <td rowspan="2">Output Voltage Select (refer to 3-2-1-1)</td> </tr> <tr> <td>S2</td> </tr> <tr> <td>S3</td> <td>Frequency Select (refer to 3-2-1-2)</td> </tr> <tr> <td>S4</td> <td rowspan="3">AC Input Current Limit Select (refer to 3-2-1-3)</td> </tr> <tr> <td>S5</td> </tr> <tr> <td>S6</td> </tr> <tr> <td>S7</td> <td rowspan="2">Battery Type Select (refer to 3-2-1-4)</td> </tr> <tr> <td>S8</td> </tr> <tr> <td>S9</td> <td rowspan="2">Charger Current Select (refer to 3-2-1-5)</td> </tr> <tr> <td>S10</td> </tr> <tr> <td>S11</td> <td>DC Source on/off (refer to 3-2-1-6)</td> </tr> <tr> <td>S12</td> <td>Saving Function on/off (refer to 3-2-1-7)</td> </tr> </tbody> </table>	Dip Switch	Function	S1	Output Voltage Select (refer to 3-2-1-1)	S2	S3	Frequency Select (refer to 3-2-1-2)	S4	AC Input Current Limit Select (refer to 3-2-1-3)	S5	S6	S7	Battery Type Select (refer to 3-2-1-4)	S8	S9	Charger Current Select (refer to 3-2-1-5)	S10	S11	DC Source on/off (refer to 3-2-1-6)	S12	Saving Function on/off (refer to 3-2-1-7)
Dip Switch	Function																						
S1	Output Voltage Select (refer to 3-2-1-1)																						
S2																							
S3	Frequency Select (refer to 3-2-1-2)																						
S4	AC Input Current Limit Select (refer to 3-2-1-3)																						
S5																							
S6																							
S7	Battery Type Select (refer to 3-2-1-4)																						
S8																							
S9	Charger Current Select (refer to 3-2-1-5)																						
S10																							
S11	DC Source on/off (refer to 3-2-1-6)																						
S12	Saving Function on/off (refer to 3-2-1-7)																						
F	Function LED	From left to right is "Battery voltage", "AC output load", "Charger stage", "System status" <i>*For details, refer to 3-2-2</i>																					
G	AC input breaker	1xx : 30 Amp, 2xx : 16 Amp																					

Table 4 : Gemini SC series front panel introduction

3-2-1. DIP(Function) switch : (reference E)



Dip Switch	Function
S1	Output Voltage Select
S2	
S3	Frequency Select
S4	AC Input Current Limit Select
S5	
S6	
S7	Battery Type Select
S8	
S9	Charger Current Select
S10	
S11	DC Source on/off
S12	Saving Function on/off

3-2-1-1 Output Voltage switch Function (S1,S2) :

Output Voltage	S1	S2
100V / 200V	OFF	OFF
110V / 220V	ON	OFF
115V / 230V	OFF	ON
120V / 240V	ON	ON

Table 5 : Output voltage function definition

3-2-1-2 Output Frequency switch Function (S3) :

Frequency	S3
50HZ	OFF
60HZ	ON

Table 6 : Output frequency function definition

3-2-1-3 AC Input Current Limit Select (S4,S5,S6) :

SC 1200 / 2000 Default: 15A/10A ; SC3000 Default: 30A/16A

AC Input Current 100~120V / 200~240V	S4	S5	S6
3A / 2A	OFF	OFF	OFF
6A / 4A	ON	OFF	OFF
9A / 6A	OFF	ON	OFF
12A / 8A	ON	ON	OFF
15A / 10A	OFF	OFF	ON
20A / 12A	ON	OFF	ON
25A / 14A	OFF	ON	ON
30A / 16A	ON	ON	ON

Table 7 : Gemini SC series Input current limit select function definition

3-2-1-4 Battery Type Select Function(S7,S8) : Default : GEL

Battery Type	S7	S8
GEL	OFF	OFF
Flooded	ON	OFF
AGM	OFF	ON
Customer	ON	ON

Table 8 : Battery types select function definition

3-2-1-5 Charger current Select Function(S9,S10) : Default : 100%

Charger Current (%)	S9	S10
25%	OFF	OFF
50%	ON	OFF
75%	OFF	ON
100%	ON	ON

Table 9 : Charger current select function definition

3-2-1-6 DC Source Output On/Off Function (S11) : Default : OFF

ESB function	S11
OFF	OFF
ON	ON

Table 10 : DC source output On/Off function definition

3-2-1-7 Saving Function Switch On/Off Function (S12) : Default : OFF

The saving mode will be triggered if the output load <20W @10seconds.

Saving function	S12
OFF	OFF
ON	ON

Table 11 : Saving function switch On/Off function definition

3-2-2 Status LED indicator : (reference F)
















Icon	Description	Icon	Description
	Battery Input voltage indicator		Output Load indicator
	Alarm indicator		Charger Stage indicator

Table 12 : LED indicator

Status	LED Indicator				
Green	Off				Inverter mode
	 Solid ON	Normal (12V: 11.5 ~ 15.0V) (24V: 23.0 ~ 30.0V)	Normal (0~100%)	Normal status	Float mode
	 Slow Blink			Over Temperature Protection	Equalization mode
	 Fast Blink			Under Temperature Protection	Active mode
Orange	Off				Inverter mode
	 Solid ON	Battery Low voltage (12V:11.0 ~ 11.5V) (24V:22.0 ~ 23.0V) Battery High voltage (12V:15.0 ~ 15.5V) (24V:30.0 ~ 31.0V)	Over load (100%-115%)	Phase or Frequency Failure	Absorption mode
	 Slow Blink			Grid Over / Under Voltage Protection	Bulk mode
	 Fast Blink			Grid Over Current Protect	
Red	Off				Inverter mode
	 Solid ON	Battery Under voltage (12V: < 11.0V) (24V: < 22.0V) Battery Over voltage	Over load (>115%)	Over Load / Short Circuit Protection	





Status	LED Indicator				
		(12V: >15.5V) (24V: >31.0V)			
	— — — — — Slow Blink			Battery Under Voltage Protection (12V: < 10.5V) (24V: < 21.0V)	
	• • • • • Fast Blink			Battery Over Voltage Protection (12V: >16.5V) (24V: >33.0V)	

Table 13 : Status LED indicator

3-3. Rear panel

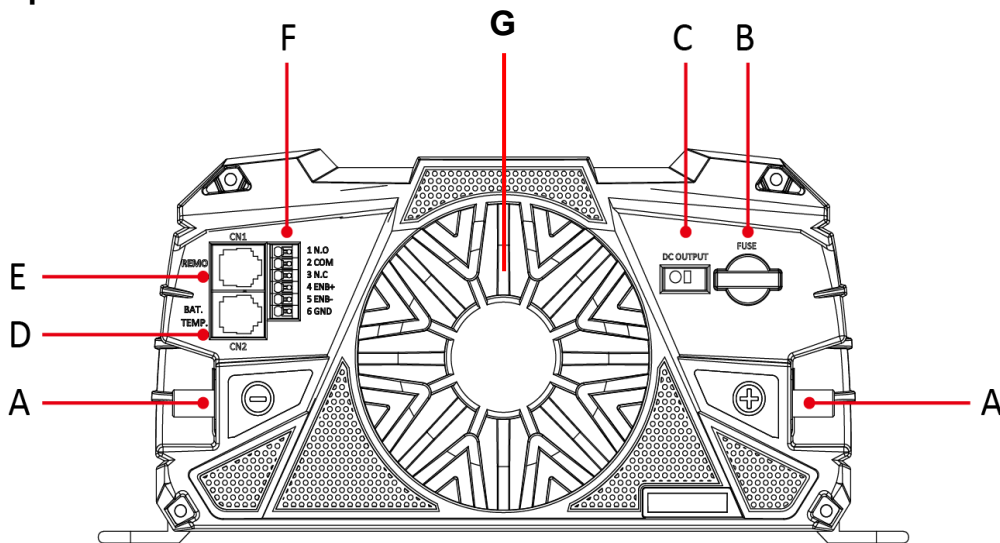


Fig. 7 : SC 1200 / 2000 Rear panel introduction

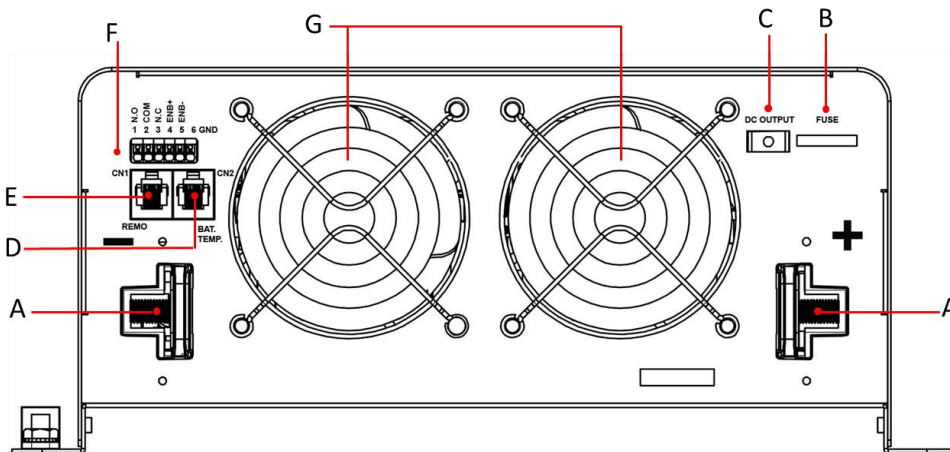


Fig. 7 : SC 3000 Rear panel introduction

Rear panel

A

DC input connector

Follow the instructions to connect the battery cables to the DC input terminals of the unit. The cables should be as short as possible (less than 6 feet / 1.8 meters ideally) so that they can handle the required current in accordance with the Electrical Codes and Regulations. The size of the cable should be thick enough to limit the voltage drop to less than 2% when carrying the maximum input current to prevent frequent low-input voltage warnings, and shutdown. UVP (Under Voltage Protection) warning may result if there is excessive voltage drop across the DC cables between the batteries and the unit. Increasing your DC cable size will help improve the situation.

Batteries are capable of providing very large currents in case of short circuit. In case there is a short circuit in the cable run between the batteries and the input terminals of the unit, it will result in overheating / melting of the cables and consequent risk of fire and injury, to prevent possibility of this hazard, use Very Fast Acting DC Fuse in line with the positive cable. The fuse should be as close to the positive battery terminal as possible.

The following sizes of cables and fuses are recommended for up to **6 ft.** distance between the batteries and the unit.

Model No.	Wire AWG	Inline Fuse	External Fuse
SC1200-124 SC1200-224	#6	100A	>100A
SC1200-112 SC1200-212 SC2000-124 SC2000-224	#2	200A	>200A
SC2000-112 SC2000-212	#2/0	400A	>400A
SC3000-124 SC3000-224	#1/0	300A	>300A
SC3000-112 SC3000-212	#4/0	600A	>600A

B

Auxiliary DC output Fuse

Second charger limit current protection.

C

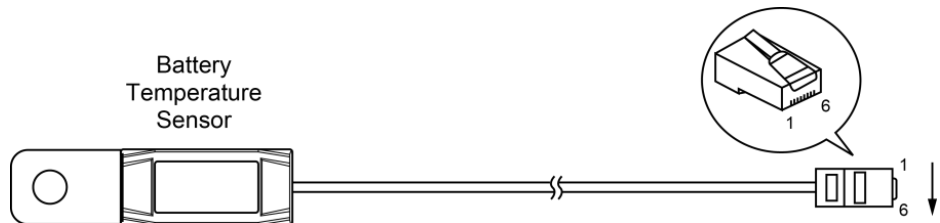
Auxiliary DC output

Gemini SC series has a second charger output connector can be used to give a maintenance of a small battery. Maximum current is 20A.

D

Battery Temp. sensor port (RJ11) (Optional)

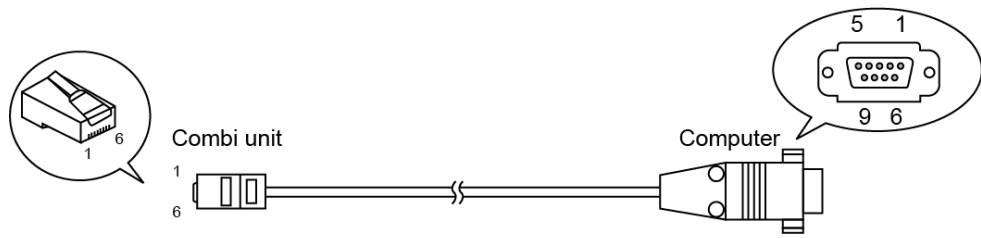
When the battery temperature is high or low, the charge voltage will automatically adjust.



E

Remote port
(RJ11)

RS-232 Port : Serial port monitoring and control through computer interface.



Gemini SC Series		Computer	
PIN Number	Description	PIN Number	Description
1	Not used	1	Not used
2	GND	2	RXD
3	RXD	3	TXD
4	TXD	4	Not used
5	Remo Control	5	GND
6	VCC	6	Not used
		7	Not used
		8	Not used
		9	Not used

Remote control terminal may be connected to a Form C relay for "FAULT" indication. When "FAULT" occurs, the relay switches.



conditions include Input under/over voltage, Output Short Circuit, Over Temperature, Over load and, Fan Failure.

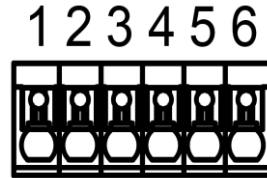


Fig. 7 : Remote control terminal

Item	Description	Item	Description
1	Dry contact (Normal Open)	4	Enable+ (ENB)
2	Common	5	Enable- (ENB)
3	Dry contact (Normal Closed)	6	Ground

RS-232 / Remote control port

F Remote control terminal and Dry terminal

Use 20 ~ 24 #AWG wire to connect the remote control terminals.

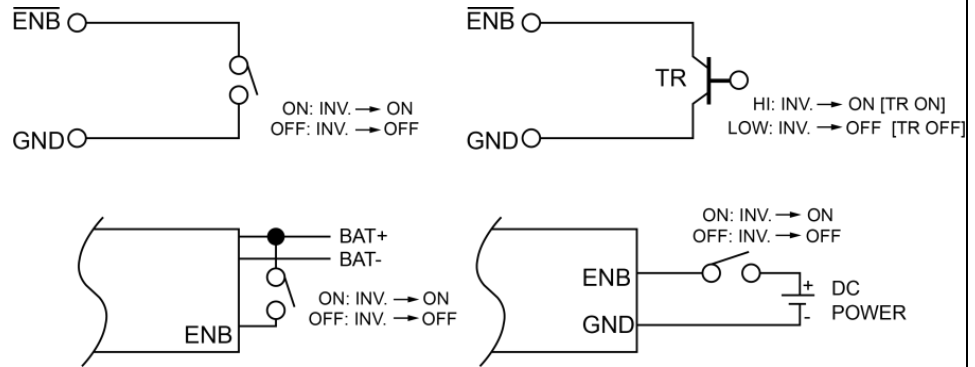
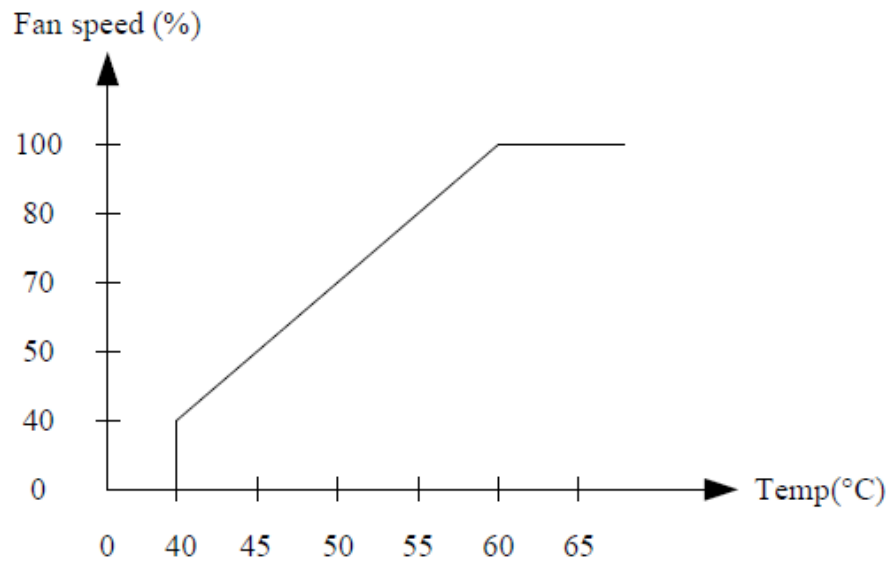
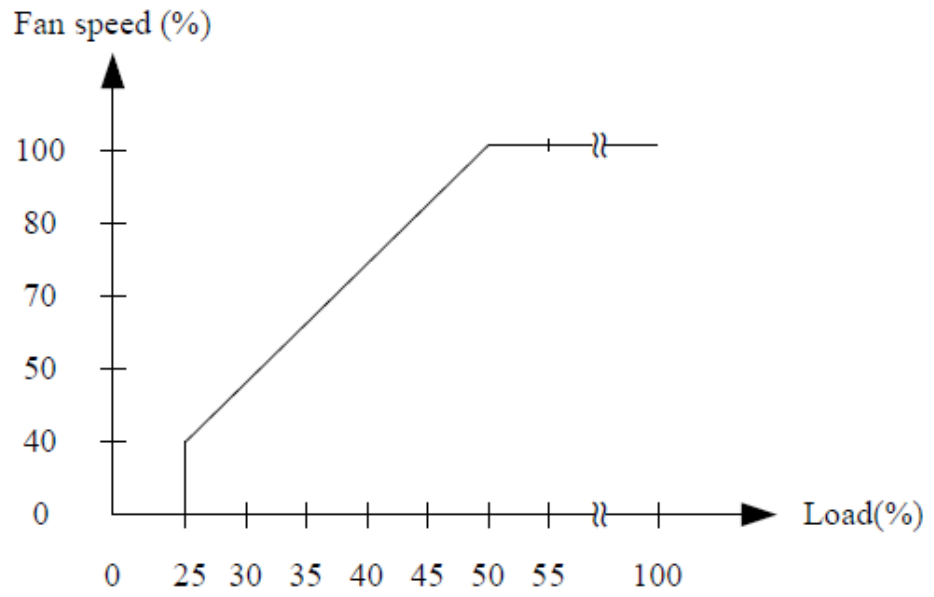


Fig. 8 : Wiring for remote control

Specifications of the Relay					
Maximum Voltage	Load	Contact Rating		Number of operations	Operating/Storage Temperature
		N.O.	N.C.		
250 VAC	Resistive	1 A	—	100,000	-30°C ~75°C
250 VAC	Resistive	—	1 A	—	
24 VDC	Resistive	1 A	—	—	
24 VDC	Resistive	—	1 A	—	

The fan turned on by Load(%) or Temp(°C) as below chart:



G

Fan speed control



Note: the fan full speed(100%) turned when the status of over temperature, the circuit short, and the over load occur

Table 16 : Gemini SC series rear panel introduction

3-4. Hardwire Installation

3-4-1 SC-1200 / 2000

Step 1. Remove the 4 screws located on the drawing.

Step 2. left(Live wire) right (neutral), use slotted screwdriver to screw/unscrew.

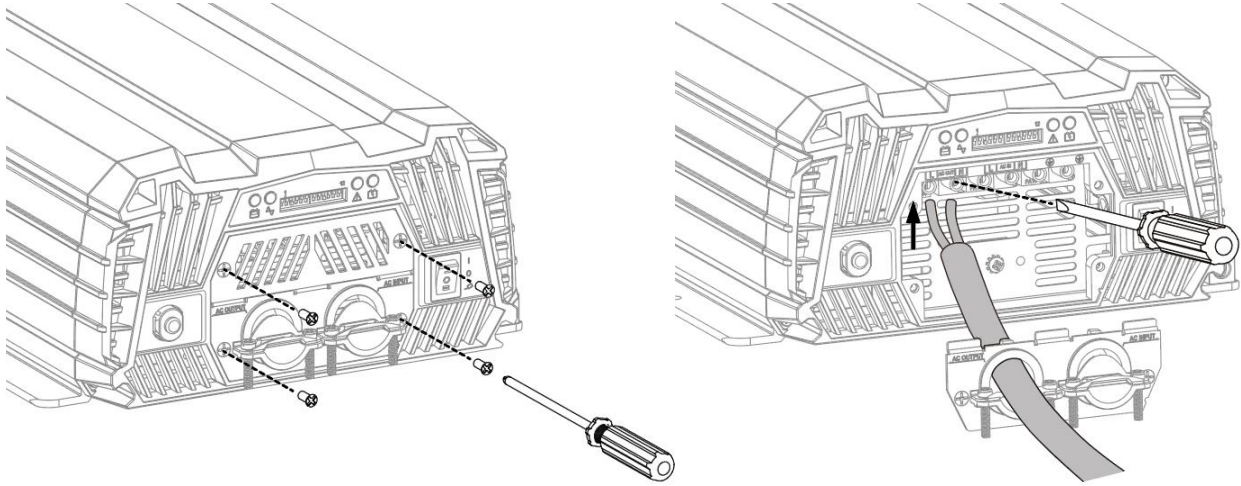


Fig. 9 : SC-1200 / 2000 Installation

3-4-2 SC-3000

Step 1. Unscrew the screws, Remove the back panel.

Step 2. left(Live wire) right (neutral), use slotted screwdriver to screw/unscrew.

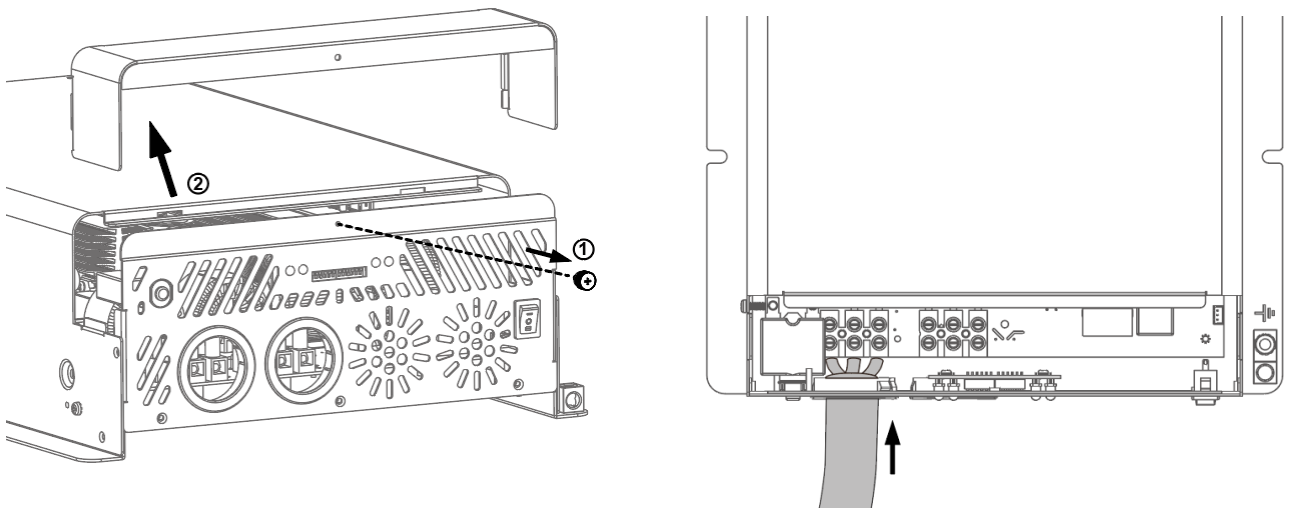


Fig. 10 : SC-3000 Installation

3-4-3 Neutral Grounding Connection Settings (models after 2021)

The default setting is option A: NO CONNECTION BETWEEN NEUTRAL CONDUCTOR (N) OF THE AC OUTPUT AND SAFETY GROUND (PE/GND)

SC-1200/2000

Rear side of the inverter/ charger



SC-3000

Left side of the inverter/charger



CAUTION

It is advised that all the electrical installation should conform to the local electrical codes and should be carried out by a certified technician.

When the unit is feeding the internally inverted voltage, the current carrying conductors connected to the “L” and “N” terminals of the AC output will be isolated from the metal chassis of the inverter. Hence, during this condition, when the metal chassis of the inverter is connected to the earth ground, the “N” terminal of the AC output will not be grounded (bonded) to the earth ground. Under this condition, the “N” terminal of the AC output will not be a Neutral in the true sense. Do not touch this terminal as it will be at an elevated voltage (almost half the value the AC output voltage) with respect to the metal chassis / earth ground and may produce an electrical shock when touched!

When the unit is transferring power from the AC input source, the grounding condition of the “N” terminal of the AC output will be the same as the condition of the “N” terminal of the AC input source. If the AC input source is the power supplied from the utility, the “N” terminal would be a Neutral in the true sense. It will normally be bonded to the earth ground and will read almost 0 V with respect to the earth ground. In this case, touching this terminal will not be a shock hazard.



Note: Part number ending with "2" are 2021 Models, all SC-3000 has Neutral Ground Function

Model	Part Number (Before 2021)	Part Number (After 2021)
SC-1200-112 COTEK	01-3111-1100	02-3111-1102
SC-1200-124 COTEK	01-3111-1200	02-3111-1202
SC-1200-212 COTEK	01-3111-2100	02-3111-2102
SC-1200-224 COTEK	01-3111-2200	02-3111-2202
SC-2000-112 COTEK	01-3112-1100	02-3112-1102
SC-2000-124 COTEK	01-3112-1200	02-3112-1202
SC-2000-212 COTEK	01-3112-2100	02-3112-2102
SC-2000-224 COTEK	01-3112-2200	02-3112-2202

3-5. Mounting Instruction

3-5-1. Wall Mount (For Marine)

Step 1. Use the screws to mount the Drip shield and the product on the wall.

Step 2. Please make sure the height from the ground to product at least 70 cm.

The bulkhead size requires at least 83 mm clearance each side of the inverter.

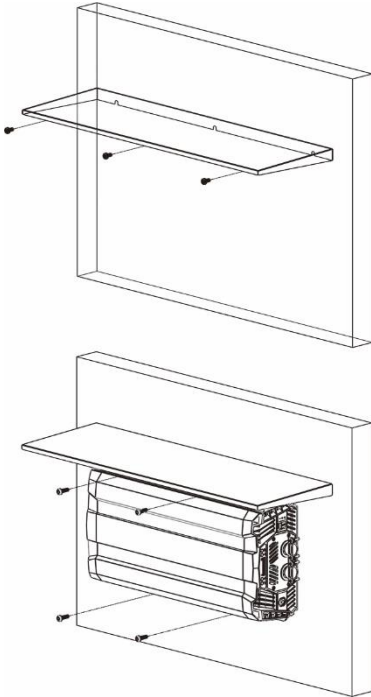


Fig. 11 : Wall mount step 1

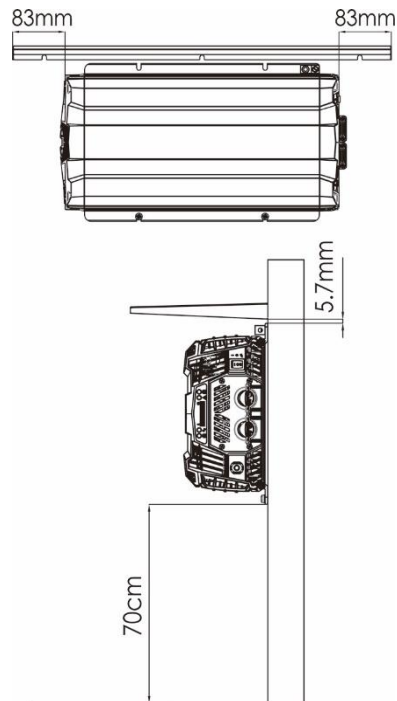


Fig. 12 : Wall mount step 2

3-5-2. Ceiling Mount (For Vehicle and Marine)

Use the screws to mount the product on the wall, and the product mounting requirement is as follow:

a. The mounting height from the ground to product requires at least 70 cm.

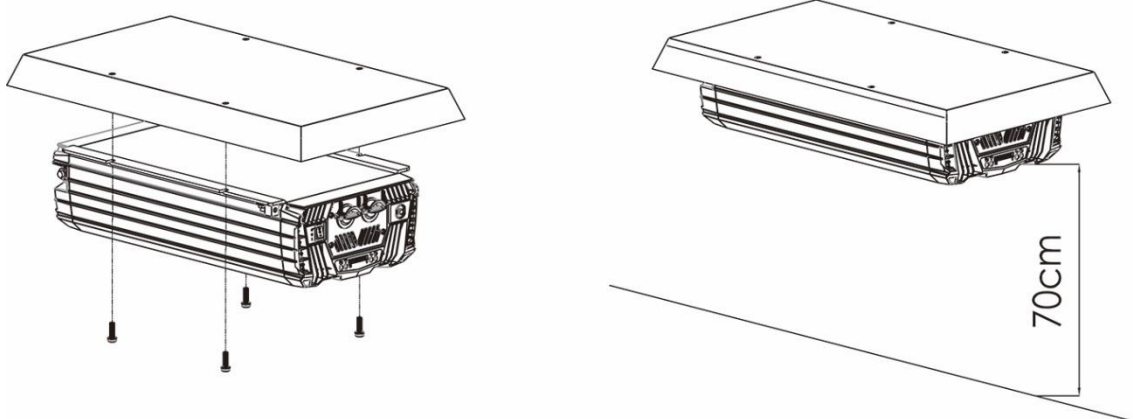


Fig. 13 : Ceiling mount

4. System Function Introduction

The Gemini SC series is a battery charger, a pure sine wave inverter and an AC transfer system in one compact enclosure. 1. The three-step charging function guarantees that the batteries are always charged 100% (User-selectable). 2. The pure sine wave inverter assures that the AC output voltage is perfectly reliable even when limited external AC power is available. 3. External AC power can be supplied by a public grid or a generator. 4. DC power can be delivered by charged batteries.

4-1. Battery charger introduction

The Gemini SC series can connect many types of battery (default setting is Gel), and user can adjust the parameters by dip switch to meet battery charging characteristics.

The following table shows some battery type charging setting.



CAUTION

Safety instruction: The setting for traction battery should never be used with a battery bank that consists of 2V GEL cells.

Battery Type Stage	GEL (Default)		Flooded	
	@12VDC	@24VDC	@12VDC	@24VDC
Bulk Voltage	14.4VDC	28.8VDC	14.7VDC	29.4VDC
Absorption Voltage	14.1VDC	28.2VDC	14.6VDC	29.2VDC
Float Voltage	13.6VDC	27.2VDC	13.4VDC	26.8VDC
Equalization Voltage	NOTE!	NOTE!	15.5VDC	31VDC

Table 14 : Battery type charging setting I

Battery Type Stage	AGM		Customer *			
	@12VDC	@24VDC	@12VDC		@24VDC	
			Default	Range	Default	Range
Bulk Voltage	14.7VDC	29.4VDC	14.7	12-16 VDC	29.4	24-32 VDC
Absorption Voltage	14.3VDC	28.6VDC	14.5		29	
Float Voltage	13.1VDC	26.2VDC	13.5		27	
Equalization Voltage	15.5VDC	31VDC	15.5		31	

User can be setting the custom function voltage, but must use CR-20C remote control or RS-232.

Table 15 : Battery type charging setting II



NOTE

Gel batteries are not equalized. Hence, their Equalization Voltages are same as Absorption Voltages.



Reminder

The default of Equalization function is under "Disable" in the battery types of AGM or Flooded. Please remember to change from "Disable" to "Enable" if the Equalization function is required.



WARNING!

When using the Custom setting, the Equalization voltage setting should not allow voltage lower than the Absorption Voltage setting. Also, the Equalization Voltage setting should not allow a setting higher than 2-volts (for 12V systems), or 4-volts (for 24V systems) above the Absorb Voltage setting.

4-1-1. Battery charging function description

The Gemini SC series is equipped with a PFC (Power Factor Corrected) and PI (Proportional-Integral) multistage battery charger. The PFC feature controls the amount of power used to charge the batteries to obtain a power factor as close as possible to 1 (or unity). This causes the battery charger to look like a resistor to the line (forces the charge current wave shape to mirror the voltage wave shape). The PI feature allows the charger voltage and current to change independently. These two features maximize the real power available from the AC power source (i.e., utility or generator), which translates into less power wasted and greater charging capabilities than most chargers today. When an AC source is connected to the AC input, the inverter begins monitoring for acceptable AC voltage. Once the AC voltage is accepted, the AC transfer relay closes the charge mode begins. After the charge mode begins, the inverter's battery voltage is monitored to determine the charging stage. The charger will skip the Bulk and Absorb charge stages and go directly to Final charging. However, if the incoming AC power is lost and returns within 2 minutes the charge mode returns to the charge stage it was in prior to losing AC input—regardless of the battery voltage.

The three stages include an automatic 3-stage charging process: Bulk, Absorb, and Float Charge; and a manual Equalization (EQ) charge stage. The automatic 3-stage charge process provides complete recharging and monitoring of the batteries without damage due to overcharging. The EQ stage (requires a remote display to enable) is used to stir up stratified electrolyte and to reverse any battery plate sulfation that may have occurred. The AC input voltage falls below 90 VAC @1xx series / 180 VAC @2xx series—the charger will stop charging to help stabilize the incoming AC voltage. The Charge mode provides up to three separate charging stages: Bulk Charging, Absorb charging and Float Charge.

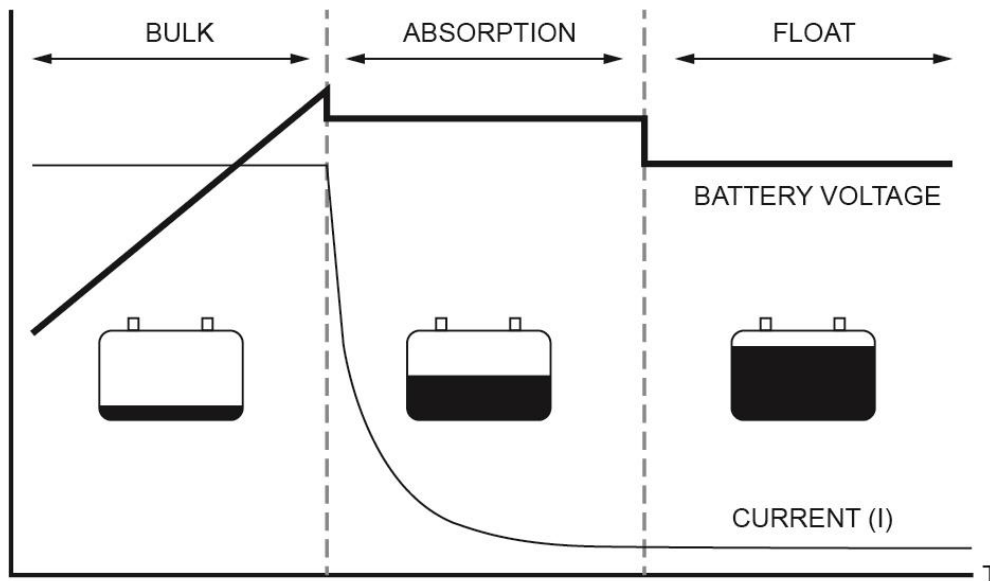
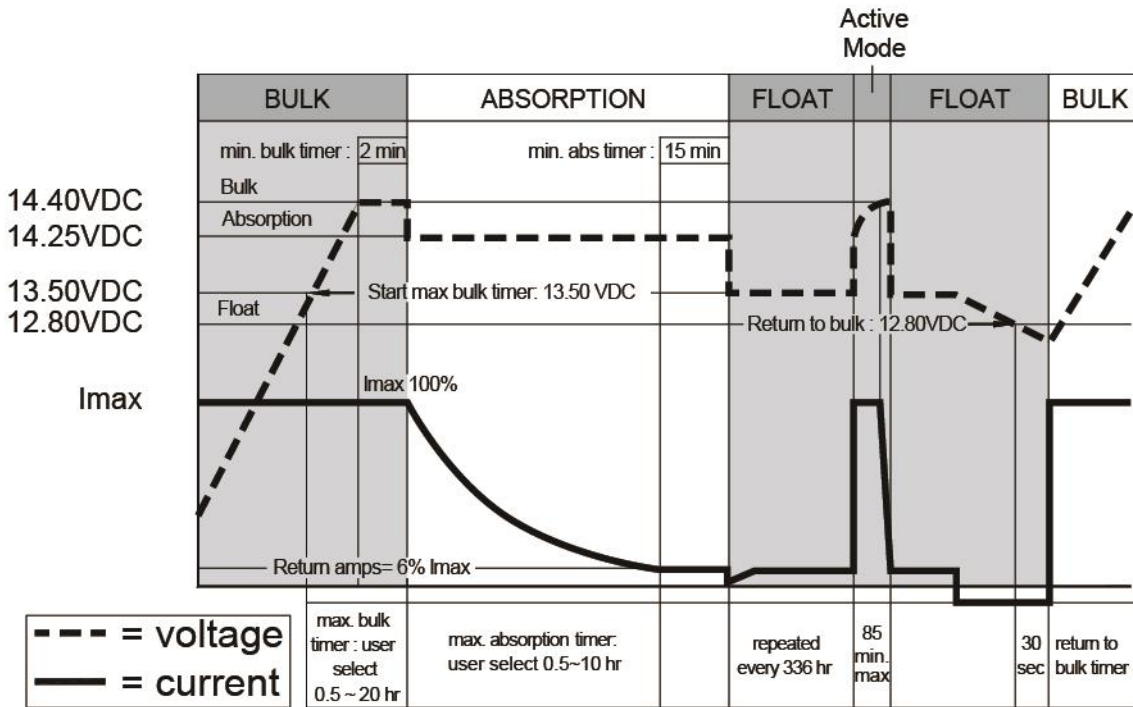


Fig. 14 : Three step charge system



Charge characteristic of the three-step Plus charging method

Fig. 15 : Charge characteristic of three-step plus charging method

4-1-2. Bulk charging

This is the initial stage of charging. While bulk charging, the charger supplies the battery with controlled constant current. The charger will remain in bulk charge until the absorption charge voltage (determined by the Battery Type selection) is achieved and charging time is 0.5~20 hours (determined by the battery **BulkMaxChaTime** selection), then switches to absorption charging.

4-1-3. Absorb charging

This is the second charging stage and begins after the absorb voltage has been reached. Absorb charging provides the batteries with a constant voltage and reduces the DC charging current in order to maintain the absorb voltage setting. Charging for 0.5~10 hours (determined by the Battery **AbsMaxCha Time** selection), then switches to final charging.

4-1-4. Float charging

The third charging stage occurs at the end of the absorb charging time. While final charging, the charge voltage is reduced to the final charge voltage (determined by the Battery Type selection*). In this stage, the batteries are kept fully charged and ready if needed by the inverter. The Float Charging stage reduces battery gassing, minimizes watering requirements (for flooded batteries), and ensures the batteries are maintained at optimum capacity.

4-1-5. Equalization charging

The intent of this charging procedure is active between abs and float is to remove sulfation that formed as a result of the batteries being undercharged.

Another objective is to bring all cells to an equal state of charge. While Equalization charging, the charge voltage increase to 15.5V@12V series / 31.0V@24V series continue a cycle is 240 minute(automatic shutdown). The frequency of the equalizing charge is something that each battery manufacturer differs on. For example, some will recommend be applied every month or every ten cycles, while another will recommend every six months or every 20 cycles.

4-1-6. Temperature compensated charging

The unit is delivered with a battery temperature sensor. By installing this battery temperature sensor the charge voltages are automatically adapted for deviating temperature.

With a BTS (battery temperature sensor) installed, if the temperature around the BTS is below 20°C the absorb and float charge voltage increases, and if the temperature around the BTS is higher than 20°C, the absorb and float charge voltage decreases. See Fig.11 to determine how much the charge voltage changes (increases or decreases) depending on the temperature reading of the BTS. For example, the nominal absorb charge voltage for a flooded battery at 20°C on a 12-volt model is 14.6 VDC. If the battery temperature is 35°C, the absorb charge voltage would decrease to 14.225 VDC (14.6 - 0.375). If the temperature sensor is NOT installed, the charge voltages will not be automatically adjusted by temperature, but will be maintained at a temperature of 20°C. The life of the batteries may be reduced if they are subjected to large temperature changes when the BTS is not installed.

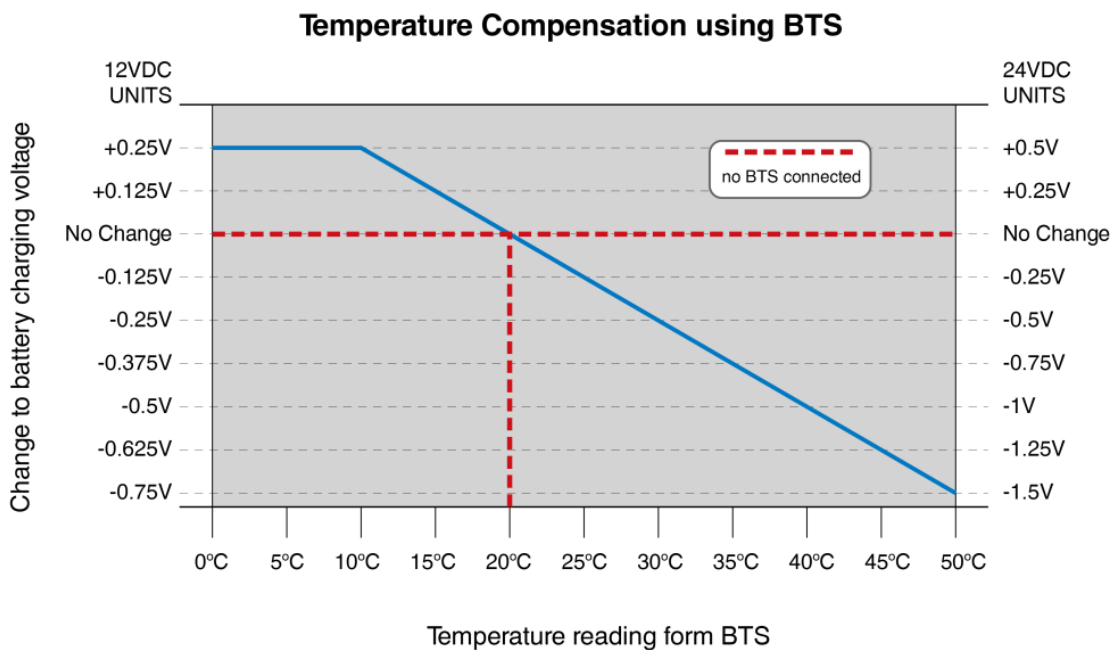


Fig. 16 : Temperature compensation using BTS

4-2. The introduction of 5-in-1 Operating mode

The Gemini SC series is a bi-directional inverter charger. It provides the automatically intelligent 5-in-1 Operating Modes including (1) Inverter mode, (2) Charger mode, (3) Power sharing mode (4) Power Generation mode (5) power support mode. It can smartly switch and optimize the power based on different scenarios.

4-2-1. Inverter mode and Charger mode

When there is no AC input power available, the inverter provides the AC output load from the batteries. See Fig 17.

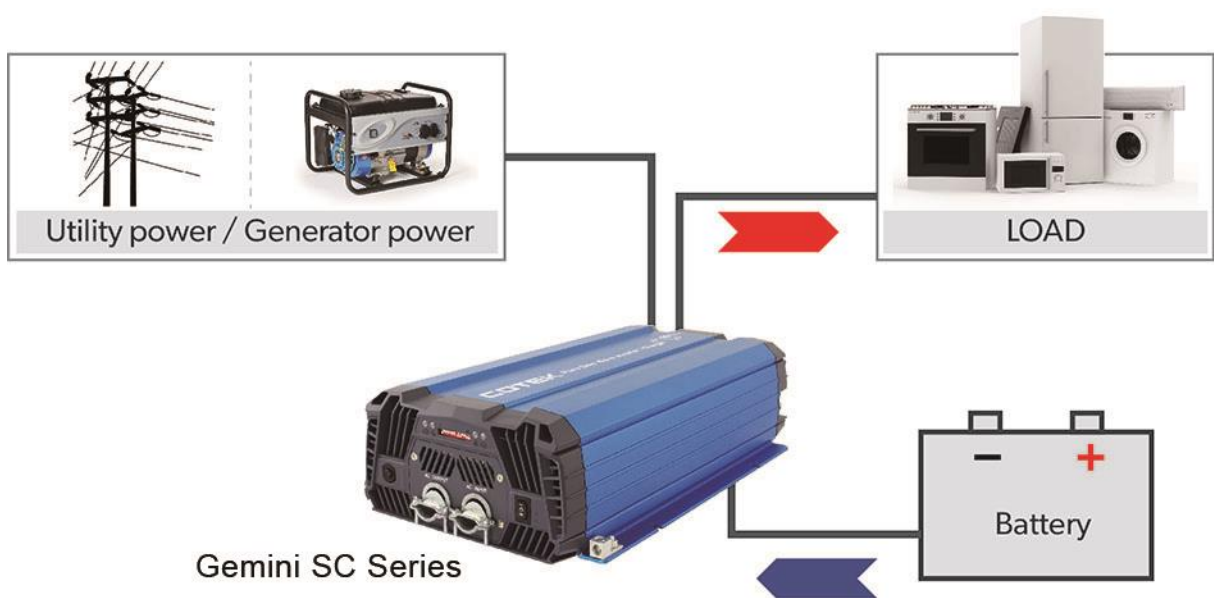


Fig. 17 : Inverter mode

When the AC input power is connected, the transfer relay will be switched on. See Fig. 18. The power sources of the output load and the battery charging are supplied by the AC input power.

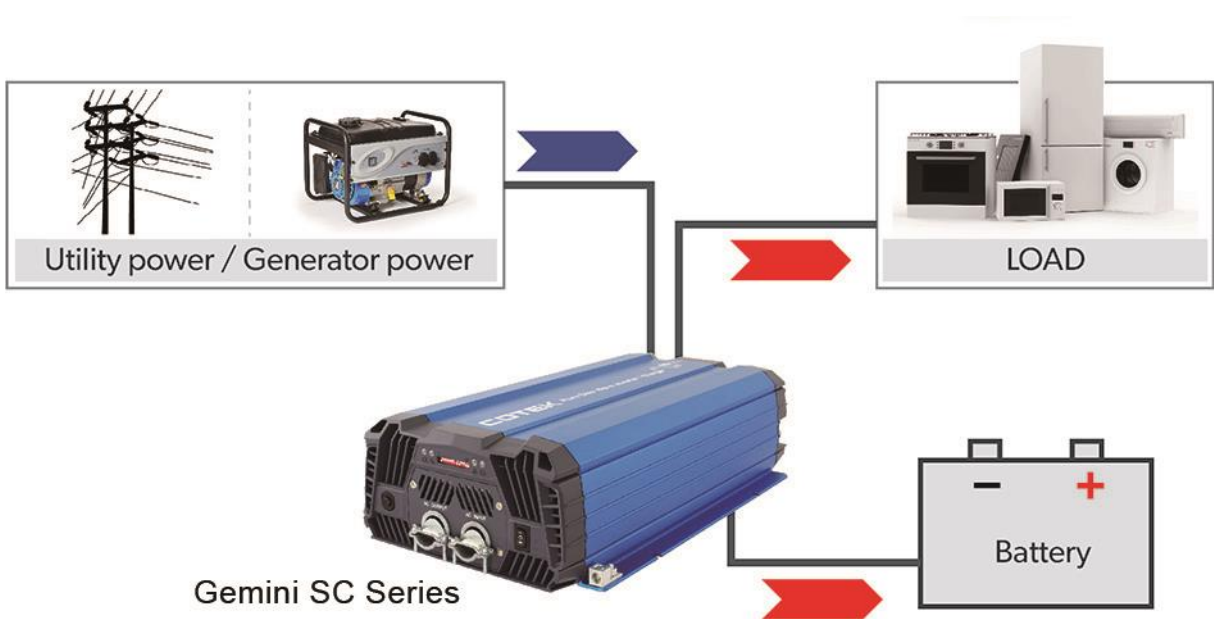


Fig. 18 : Charger mode

4-2-2. Power Sharing Mode

Here the Power Sharing level is set to a 30 Amps while the AC output loads consume a total of 20Amps. This means that only $30 - 20 = 10$ Amps is left over for charging. With 12VDC battery and 120 VAC, this will result in a maximum charge current of approx. 100A DC. See Fig. 19.



Note: Max AC Input current (by breaker) is the AC bypass current + the charging current.

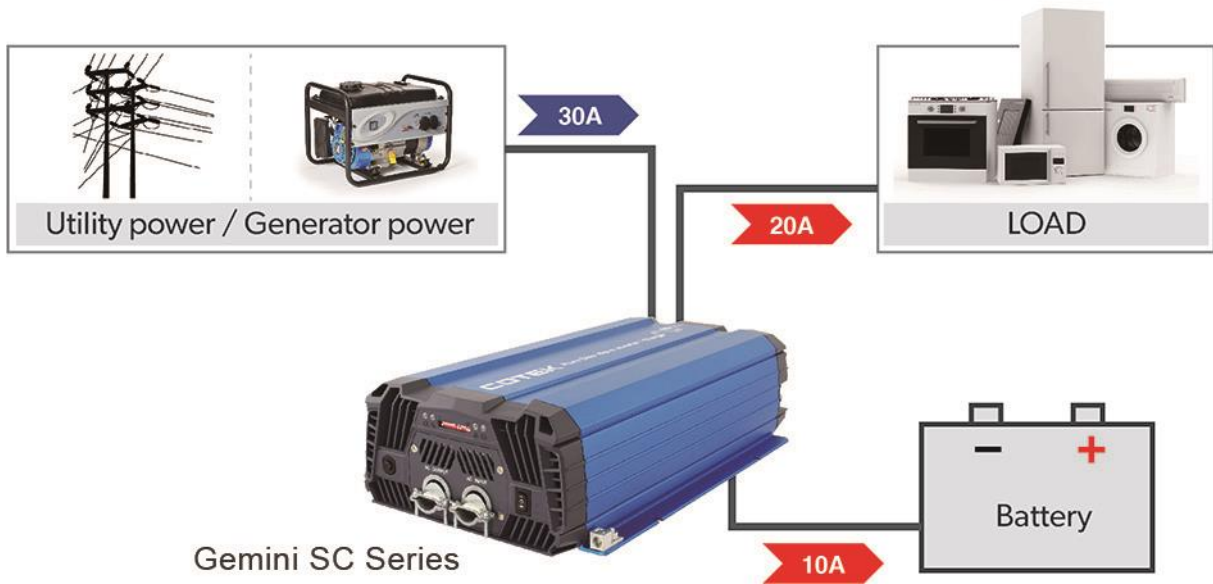


Fig. 19 : Power Sharing Function I

The Power Sharing level can be set by means only remote control locally on the unit. When the total connected AC load reaches the level of the Power Sharing setting (20A), there will be no power left over to charge the battery. This means that the charge current of the unit will be reduced to 0A. See Fig. 20.

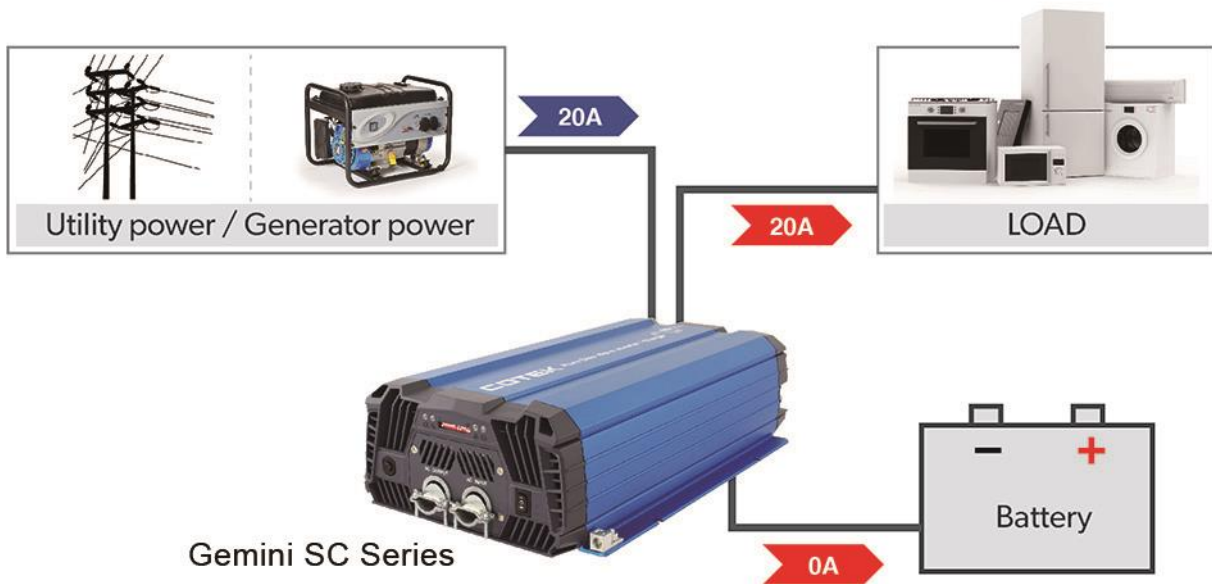


Fig. 20 : Power Sharing Function II

4-2-3. Power Generation Mode

If the AC output current is higher than AC input current, the AC circuit breaker normally will be tripped and the machine shut down. But this problem can now be overcome by Power Generation Mode. If the AC output current exceeds the maximum AC input current, Gemini SC will support the load from both AC input current and the inverter current together.

See Fig. 21. Here the AC input current is limited at 20 Amps. But this is not enough to supply the output current (27Amps). In this scenario, Gemini SC will supply the remaining current $27A - 20A = 7A$ from the battery.



Note: Max AC output is defined by AC input current + Inverter output current but cannot over the AC input limit current. (based on UL regulation)

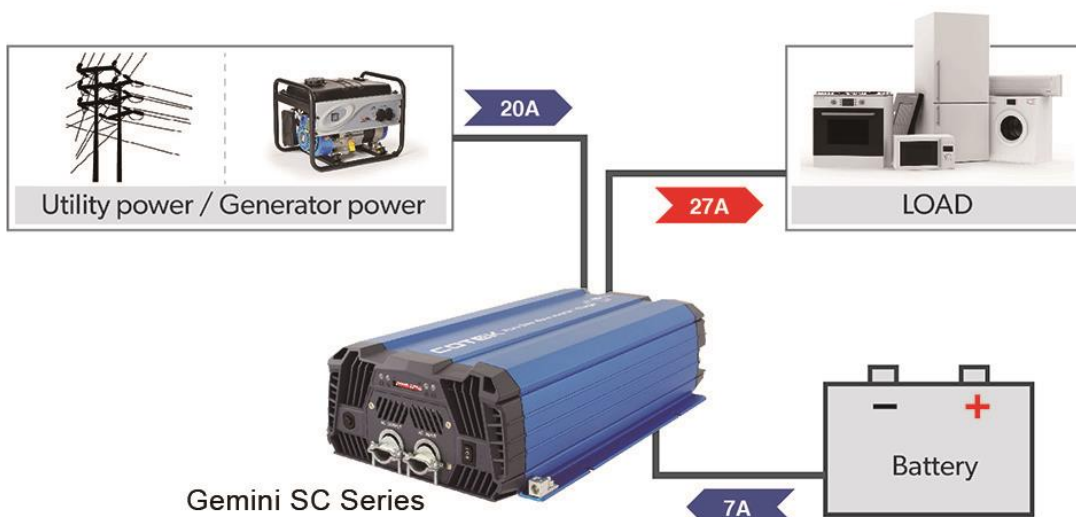


Fig. 21 : Generator Function

4-2-4. Power Support Mode (AC Input Current adjustment)

For the condition of limited AC input current (ex. grid, generator...), Gemini SC provide the option to adjust the maximum AC input current. Under Power Support Mode, OLP (over load protection) can be tripped based on your setting of AC input current. Therefore, it can avoid the risk of the over load damage and protect the input AC power equipment such as the utility power equipment or generator. See Fig. 22.

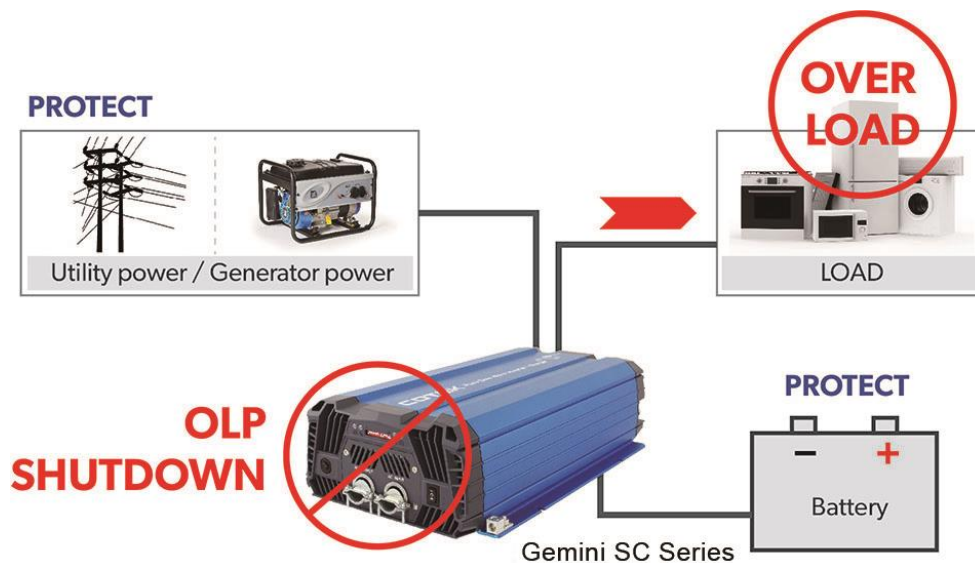


Fig. 22 : Power Support Function

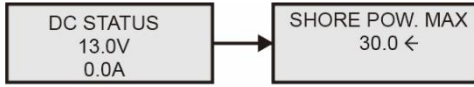
CAUTION

In order to avoid the over/abnormal voltage risk, the transfer relay will be immediately switched off when the incoming AC power is failed.

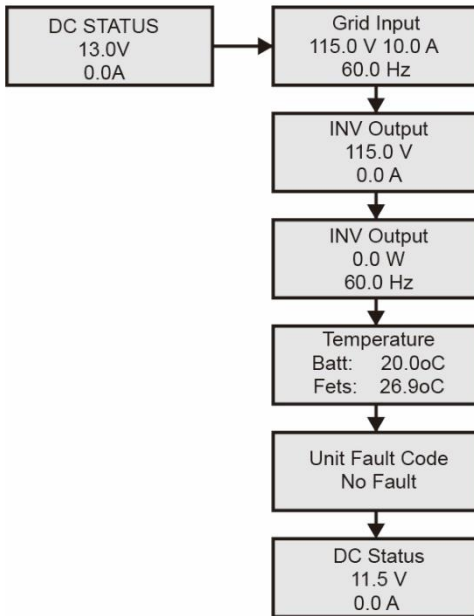


5. CR-20C Remote Control Menu Tree (optional SC accessory)

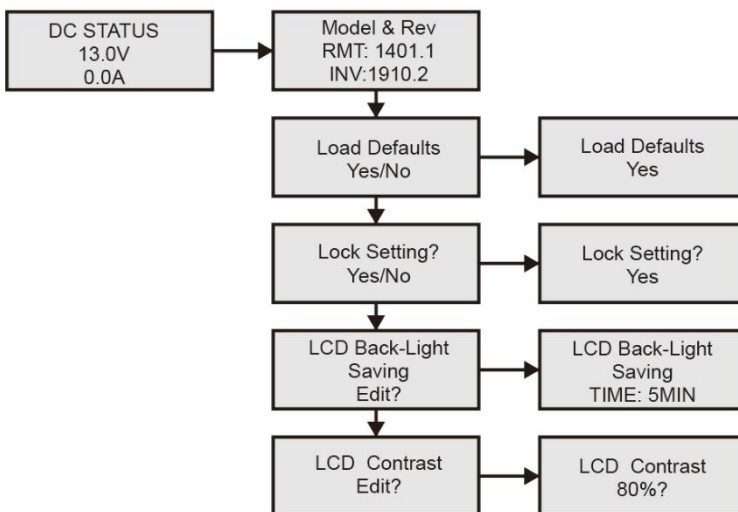
SHORE power



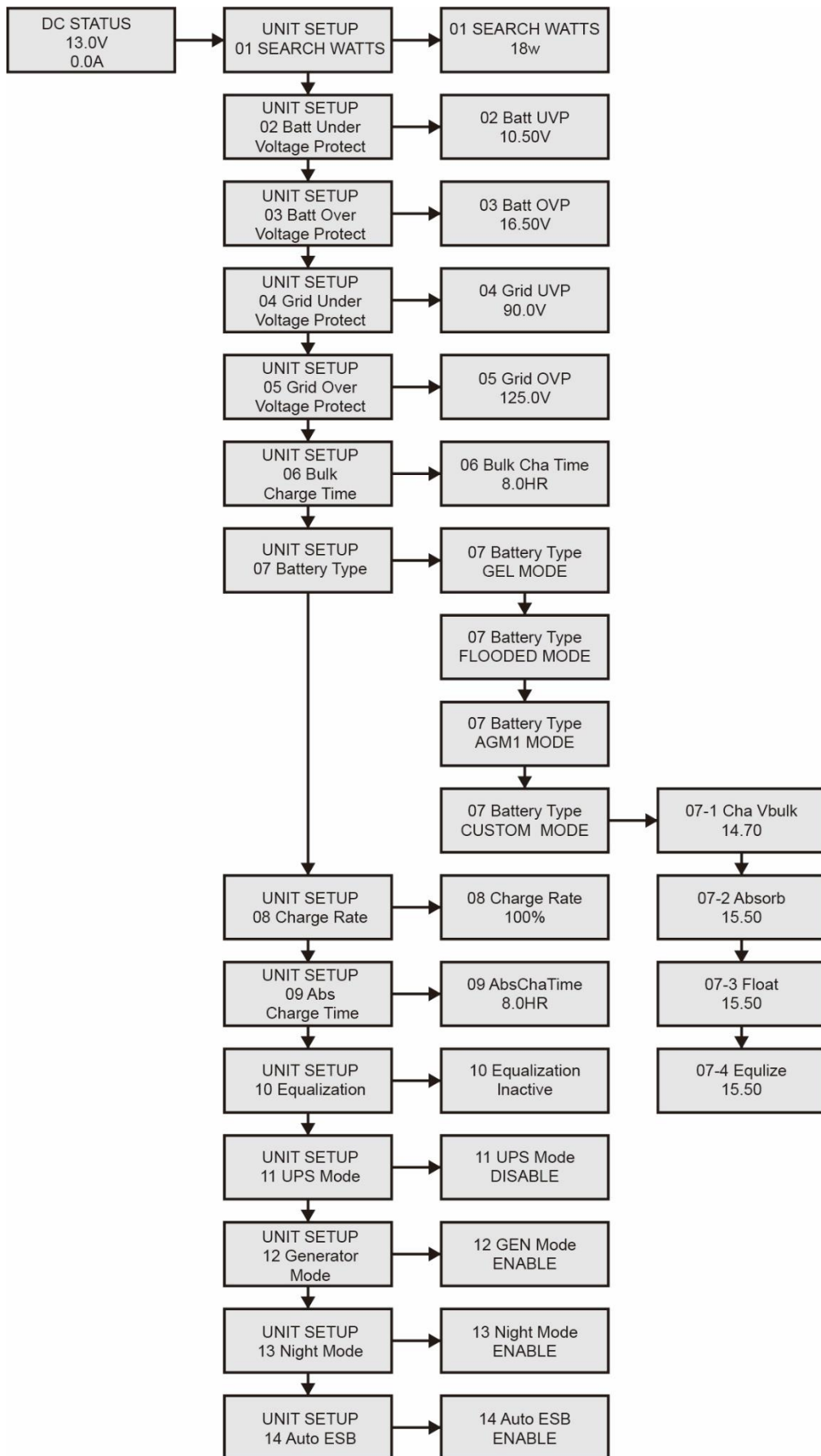
UNIT readings



REMOTE setting



UNIT setup



ITEM	RANGE	Default
SC 1200/ 2000 SHORE POW. MAX	110V system: 3A~30A 220V system: 2A~16A	110V system: 15A 220V system: 10A
SC 3000 SHORE POW. MAX	110V system: 3A~30A 220V system: 2A~16A	110V system: 30A 220V system: 16A
01 Search Watts	110V system: OFF, 1W~20W 220V system: OFF, 1W~40W	110V system: 20W 220V system: 20W
02 Batt Under Voltage Protect	12V system: 10.00V~11.50V 24V system: 20.00V~23.00V	12V system: 10.5V 24V system: 21.0V
03 Batt Over Voltage Protect	12V system: 15.00V~16.50V 24V system: 30.00V~33.00V	12V system: 16.5V 24V system: 33.0V
04 Grid Under Voltage Protect	110V system: 90.0V~110.0V 220V system: 180.0V~220.0V	110V system: 90V 220V system: 180V
05 Grid Over Voltage Protect	110V system: 125.0V~132.0V 220V system: 250.0V~264.0V	110V system: 132V 220V system: 264V
06 Bulk Charge Time	0.5HR~20.0HR	8.0Hr
07 Battery Type	GEL,FLOOD, AGM1,CUSTOM	GEL
08 Charge Rate	25%~100%	100%
09 Abs Charge Time	0.5HR~10.0HR	8.0Hr
10 Equalization	ACTIVE, INACTIVE	INACTIVE
11 UPS Mode	DISABLE, ENABLE (0-30MIN)	DISABLE
12 Generator Mode	DISABLE, ENABLE	ENABLE
13 NIGHT Mode	DISABLE, ENABLE	DISABLE
14 Auto ESB	DISABLE, ENABLE	DISABLE

6. Trouble Shooting

Status	LED Indicator	Buzzer states	Status	Solution
Green	— — — Slow Blink	Two Short	Over Temperature Protection (OTP)	1. Improve ventilation. Make sure ventilation openings in inverter are not obstructed. 2. Reduce ambient temperature.
	• • • • • Fast Blink	One Short	Under Temperature Protection (UTP)	1. Increase ambient temperature.
Orange	— — — Slow Blink	N/A	Grid Over / Under Voltage Protection	1. Make sure AC input is within 90Vac ~ 132Vac (110V system) or 180Vac~264Vac (220V system).
	• • • • • Fast Blink	N/A	Grid Over Current Protect	1. Turn off the load and make sure there is no short circuit inside the load circuit. 2. Check the setup value of AC input current limit (Dip Switch S4,S5,S6). 3. Re-turn on the unit manually.
	————— Solid	N/A	Phase or Frequency Failure	1. Make sure AC input frequency matches the Unit output frequency.
Red	— — — Slow Blink	Four Short	Battery Under Voltage Protection	1. Check DC input voltage. Increase DC input voltage. 2. Check DC input connection and wiring cable. 3. Recharge battery.
	• • • • • Fast Blink	Three Short	Battery Over Voltage Protection	1. Check DC input voltage. Reduce DC input voltage.
	————— Solid	Five Short	Over Load (101%~115%) Protection	1. Reduce load in case of restart failed. 2. Re-turn on the unit manually.
	N/A	Over Load (>115%) / Short Circuit Protection		

Table 16 : INV./CHR. Mode Trouble Shooting

6-1 Error code (Displayed on CR-20C remote only)

BUVP	Battery Under voltage protection
BOVP	Battery Ovder voltage protection
OLPL	Over load protection(Load 100%~115%)
OLPM	Over load protection(Load 115%~200%)
OLPH	Over load protection(Load over 200%)
ILOOCP	Short circuit protection
PTOC	N/A open current detection
UTPmos	Low Tempreture protection(MOS)
OTPmos	High Tempreture protection(MOS)
OTPigt	High Tempreture protection(IGBT)
UTPbat	Low Tempreture protection(Battery)
OTPbat	High Tempreture protection(Battery)
IgOOC	Ig over current protection
SofFail	soft start fail/utility side
PoffFlag	Power off flag on MCU
OVPbus	Over voltage protection(BUS)

7. IMPORTANT SAFETY INSTRUCTIONS for the marine application based on the standard code of UL 458

SAVE THESE INSTRUCTIONS: This manual contains important safety and operating procedures.

1. CAUTION – To reduce risk of injury, charge only AGM, GEL, Lithium battery, Lead-acid type rechargeable batteries. Other types of batteries may burst causing personal injury and damage.
2. Do not expose charger to rain or snow.
3. Use of an attachment not recommended or sold by the marine unit manufacturer may result in a risk of fire, electric shock, or injury to persons.
4. Do not disassemble marine unit; take it to a qualified serviceman when service or repair is required. Incorrect reassembly may result in a risk of electric shock or fire.
5. To reduce risk of electric shock, unplug marine unit from outlet before attempting any maintenance or cleaning. Turning off controls will not reduce this risk.
6. WARNING – RISK OF EXPLOSIVE GASES.
 - WORKING IN VICINITY OF A LEAD-ACID BATTERY IS DANGEROUS.
BATTERIES GENERATE EXPLOSIVE GASES DURING NORMAL BATTERY OPERATION. FOR THIS REASON, IT IS OF UTMOST IMPORTANCE THAT EACH TIME BEFORE SERVICING THE UNIT IN THE VICINITY OF THE BATTERY, YOU READ THIS MANUAL AND FOLLOW THE INSTRUCTIONS EXACTLY.
 - To reduce risk of battery explosion, follow these instructions and those published by battery manufacturer and manufacturer of any unit you intend to use in vicinity of battery. Review cautionary marking on these products and on engine.
7. PERSONAL PRECAUTIONS
 - Someone should be within range of your voice or close enough to come to your aid when you work near a lead-acid battery.
 - Have plenty of fresh water and soap nearby in case battery acid contacts skin, clothing, or eyes.
 - Wear complete eye protection and clothing protection. Avoid touching eyes while working near battery.
 - If battery acid contacts skin or clothing, wash immediately with soap and water. If acid enters eye, immediately flood eye with running cold water for at least 10 min and get medical attention immediately.
 - NEVER smoke or allow a spark or flame in vicinity of battery or engine.
 - Be extra cautious to reduce risk of dropping a metal tool onto battery. It might spark or short-circuit battery or other electrical part that may cause explosion.
 - Remove personal metal items such as rings, bracelets, necklaces, and watches when working with

a lead-acid battery. A lead-acid battery can produce a short-circuit current high enough to weld a ring or the like to metal, causing a severe burn.

- NEVER charge a frozen battery.
- If necessary to remove battery from vessel, always remove grounded terminal from battery first. Make sure all accessories in the vessels are off, so as not to cause an arc.
- Be sure area around battery is well ventilated.
- Clean battery terminals. Be careful to keep corrosion from coming in contact with eyes.

- Study all battery manufacturer's specific precautions such as removing or not removing cell caps while charging and recommended rates of charge
- Add distilled water in each cell until battery acid reaches level specified by battery manufacturer. This helps purge excessive gas from cells. Do not overfill. For a battery without cell caps, carefully follow manufacturer's recharging instructions.

8. MARINE UNIT LOCATION

- Locate marine unit away from battery in a separate, well ventilated compartment.
- Never place marine unit directly above battery; gases from battery will corrode and damage marine unit.
- Never allow battery acid to drip on marine unit when reading gravity or filling battery.
- Do not operate marine unit in a closed-in area or restrict ventilation in any way.

9. DC CONNECTION PRECAUTIONS

Connect and disconnect DC output connections only after setting any marine unit switches to off position and removing AC cord from electric outlet or opening AC disconnect.

10. EXTERNAL CONNECTIONS TO CHARGER SHALL COMPLY WITH THE UNITED STATES COAST GUARD ELECTRICAL REGULATIONS (33CFR183, SUB PART I).

11. GROUNDING INSTRUCTIONS – This marine unit should be connected to a grounded, metal, permanent wiring system; or an equipment-grounding conductor should be run with circuit conductors and connected to equipment-grounding terminal or lead on unit. Connections to unit should comply with all local codes and ordinances.

8. Warranty

We guarantee this product against defects in materials and workmanship for a period of 24 months from the date of purchase and will repair or replace any defective Combi units if you directly returned them to us with postage paid.

This warranty will be considered void if the unit has been misused, altered, or accidentally damaged. COTEK is not liable for anything that occurs as a result of the user's fault.

Série SC - Manuel utilisateur

SC-1200 / SC-2000

ONDULEURS-CHARGEURS PUR SINUS

Table des matières

1. CONSIGNES DE SECURITE	35
1-1. Avertissements et symboles	35
1-2. Consignes générales de sécurité	35
1-3. Consignes de sécurité relatives à l'installation	36
1-4. Recommandations concernant les batteries	36
2. PRESENTATION	37
2-1. Présentation générale	37
2-2. Caractéristiques	38
2-3. Schémas d'encombrement	42
3. INSTALLATION ET MAINTENANCE	43
3-1. Déballage	43
3-2. Panneau avant	43
3-3. Panneau arrière	48
3-4. Instructions de montage	52
4. PRESENTATION DE L'APPAREIL	53
4-1. Présentation du chargeur	53
4-2. Utilisation de l'appareil	56
5. ARBORESCENCE DES MENUS DE LA COMMANDE DEPORTEE CR-20C	60
6. RECHERCHE DE PANNES	63
7. CONSIGNES DE SECURITE POUR LES APPLICATIONS MARINE	64
8. GARANTIE	65

1. Consignes de sécurité

1-1. Avertissements et symboles

Pictogrammes utilisés dans ce manuel :



Informations complémentaires concernant le fonctionnement de l'appareil.



ATTENTION

Consigne de sécurité : le non-respect des instructions risque d'endommager l'appareil et de provoquer un dysfonctionnement.



ATTENTION

Consigne de sécurité pour prévenir les risques liés au courant et à la tension. Le non-respect des instructions risque d'endommager l'appareil, de provoquer un dysfonctionnement et de blesser l'utilisateur ou l'intervenant.



AVERTISSEMENT!

CES INSTRUCTIONS DOIVENT ÊTRE CONSERVÉES – Ce manuel contient les instructions devant être respectées durant l'utilisation ou l'entretien de l'appareil.

1-2. Consignes générales de sécurité

L'appareil a été fabriqué conformément aux normes de sécurité applicables.

- L'appareil permet de recharger des batteries plomb-acide et de fournir une alimentation aux consommateurs sur une installation permanente.
- Il permet également de convertir le courant continu fourni par la batterie en courant alternatif.
- Il ne doit pas être exposé à la pluie, à la neige, aux projections d'eau ou à la poussière. Afin de réduire les risques d'incendie, ne jamais couvrir ni obstruer les orifices de ventilation et garantir un dégagement suffisant autour de l'appareil pour permettre une bonne circulation de l'air.
- Afin de prévenir les risques d'incendie et de chocs électriques, s'assurer que les câbles sont en bon état et d'une section suffisante pour l'application.
- Ne pas utiliser l'appareil si les câbles sont endommagés ou s'ils ne sont pas correctement dimensionnés pour l'application.
- Sur certaines installations il peut être nécessaire de monter un fusible ou un disjoncteur sur la sortie CA. La sortie CA bénéficie d'une protection court-circuit intégrée.
- Prendre les précautions suivantes avant d'intervenir sur l'onduleur-chargeur :
 - ◆ Ôter tout objet métallique (montre, bagues, etc.).
 - ◆ N'utiliser que des outils isolés.
 - ◆ Porter des gants et des bottes en caoutchouc.

1-3. Consignes de sécurité relatives à l'installation

- Vérifier l'état du colis dès réception et, en cas de dommages apparents, émettre immédiatement des réserves auprès du transporteur.
- Ne pas utiliser l'appareil à proximité d'une source d'eau ni dans un environnement trop humide.
- Ne pas ouvrir ni démonter l'appareil au risque d'entraîner l'annulation de la garantie.
- Les connexions (entrée CC et sortie CA) doivent être sécurisées.
- Liaison à la terre : les appareils montés en rack doivent être correctement reliés à la terre.
- Ne pas laisser tomber d'objets métalliques sur une batterie ou sur les connexions. Les étincelles ainsi produites sur la batterie pourraient entraîner un court-circuit voire une explosion.
- Câblage : pour fonctionner correctement, l'appareil doit disposer d'une alimentation fiable via des câbles correctement dimensionnés.
- Ne pas utiliser l'appareil à proximité d'un combustible ou d'une flamme nue.
- Température : pour des performances optimales, la température ambiante doit être comprise entre -20°C et +40°C. Assurer une circulation d'air suffisante autour de l'appareil.
- En cas d'incendie, utiliser un extincteur pour feux électriques.
- Un court-circuit ou une inversion de polarités entraînent des dommages irréversibles aux câblages, aux batteries et à l'appareil. Le fusible entre l'appareil et les batteries ne peut pas le protéger contre une inversion de polarités qui en outre entraîne l'annulation de la garantie.
- Ne pas intervenir sur l'appareil lorsqu'il est raccordé à une source électrique. Ne permettre qu'à des électriciens qualifiés d'intervenir sur votre installation électrique.
- Vérifier l'état des câbles et des connexions au moins une fois par an. Corriger immédiatement tout défaut constaté (connexion desserrée, câble endommagé, etc.).
- Ne jamais toucher l'appareil avec des mains humides ou moites.
- L'appareil n'est pas conçu pour des applications médicales.



ATTENTION

Ne jamais ouvrir l'appareil, il ne contient aucune pièce nécessitant un entretien. Ne sont habilités à ouvrir le boîtier de connexions que les installateurs qualifiés et agréés.

1-4. Recommandations concernant les batteries

Les charges/décharges profondes risquent d'endommager les batteries. Ne pas dépasser les limites préconisées par le fabricant. Éviter de court-circuiter les batteries au risque de provoquer une explosion ou un incendie. L'installation des batteries et le paramétrage de l'appareil doivent être effectués par un professionnel agréé.

2. Présentation

2-1. Présentation générale

Les onduleurs-chargeurs de la série SC utilisent des processeurs de traitement de signaux électroniques et numériques et offrent les fonctionnalités suivantes :

- Couplage CC ou CA et design tout-en-un.
- Certification UL (UL458 & supplément SA / UL1741).
- Compact donc facile à intégrer, installation simple.
- 5 modes de fonctionnement.

Courant de charge suivant les modèles :

Modèle	Courant max	Tension batterie
SC1200-124 SC1200-224	25A	24V
SC1200-112 SC1200-212 SC2000-124 SC2000-224	50A	12V@SC1200 24V@SC2000
SC2000-112 SC2000-212	100A	12V

Tableau 1 : courant de charge batterie - Série SC

- Fonction d'égalisation des batteries.

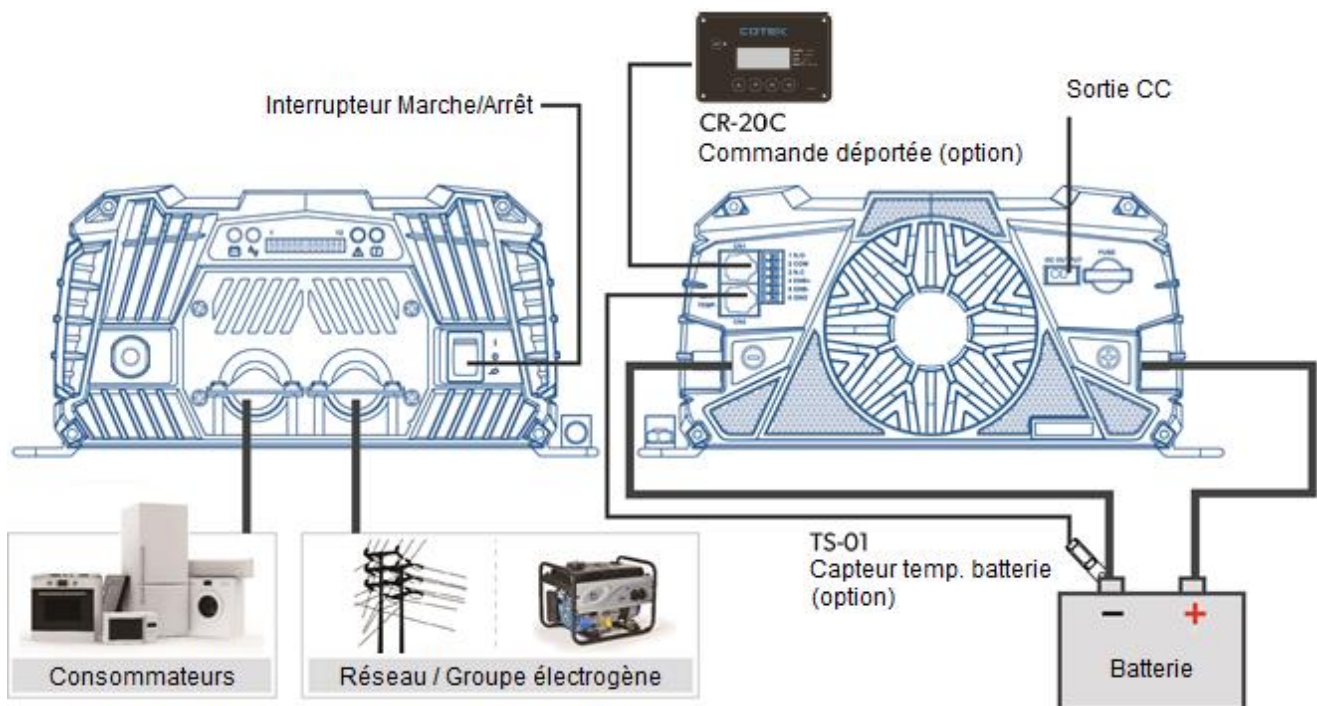


Schéma 1 : présentation générale - Série SC

2-2. Caractéristiques

Caractéristiques électriques			Modèle				
			SC1200-112	SC1200-124	SC1200-212	SC1200-224	
Mode onduleur	Entrée	Tension d'entrée	12 VCC	24 VCC	12 VCC	24 VCC	
		Plage de tensions admissibles ($\pm 0.5V$)	10.5~16.5 VCC	21~33 VCC	10.5~16.5 VCC	21~33 VCC	
		Protection surtension ($\pm 0.5V$)	16.5 VCC	33 VCC	16.5 VCC	33 VCC	
		Alarme surtension ($\pm 0.5V$)	15.5 VCC	31 VCC	15.5 VCC	31 VCC	
		Protection sous tension ($\pm 0.5V$)	10.5 VCC	21 VCC	10.5 VCC	21 VCC	
		Alarme sous tension ($\pm 0.5V$)	11.0 VCC	22.0 VCC	11.0 VCC	22.0 VCC	
		Courant max	132 A	66 A	132 A	66 A	
		Courant à vide	< 3.0 A @12.5 V	< 1.5 A @25 V	< 3.0 A @12.5 V	< 1.5 A @25 V	
		Courant de veille	< 0.4 A	< 0.2 A	< 0.4 A	< 0.2 A	
	Sortie	Puissance, continu	1200 VA $\pm 3\%$				
		Puissance, crête	101~115 % de la charge sur 1 minute				
			116~200 % de la charge sur 3 secondes				
			2400 VA sur 2 secondes				
		Fréquence	50 / 60 Hz $\pm 3\%$ (paramétrable)				
		Tension de sortie	100 / 110 / 115 / 120 VCA $\pm 3\%$		200 / 220 / 230 / 240 VCA $\pm 3\%$		
		Rendement max (pleine charge)	89%	90%	89%	90%	
		Signal de sortie	Pur sinus DHT : <5% @ 12.5 V / 25 V / 115 VCA, charge linéaire DHT : <3% @ 12.5 V / 25 V / 230 VCA, charge linéaire				
		Courant de sortie (conversion seule)*	12 A max		6 A max		
	Secteur + conversion*	30 A max		22 A max			
	Protections	En entrée	Surtension / Sous-tension, Inversion de polarités (fusible interne)				
		Sortie CA	Court-circuit, surcharge				
		Entrée CA	Disjoncteur 30 A		Disjoncteur 16 A		
		Surchauffe	Coupure				
		Température batteries	Capteur (connexion type RJ-11)				
	Mode chargeur	Entrée CA	Tension d'entrée	110 VCA (50/60 Hz, paramétrable)		230 VCA (50/60 Hz, paramétrable)	
			Plage de tensions admissibles	90 ~ 132 VCA		180 ~ 264 VCA	
			Plage de fréquences admissibles	47~53 Hz @ 50 Hz / 57~63 Hz @ 60 Hz			
Courant nominal			8.2 A @ 110 VCA		3.9 A @ 230 VCA		
Rendement			>88%		16 A max		
Seuil courant CA*			30 A mx		16 A max		
Facteur de puissance			> 0.95 (max)				

Caractéristiques électriques			Modèle			
			SC1200-112	SC1200-124	SC1200-212	SC1200-224
Mode chargeur (suite)	Sortie CC auxiliaire	Tension de sortie	Égale à la tension de la batterie			
		Courant de sortie	20 A max			
	Sortie CC	Choix du courant de sortie	12.5 / 25 / 37.5 / 50A	6.25 / 12.5 / 18.75 / 25A	12.5 / 25 / 37.5 / 50A	6.25 / 12.5 / 18.75 / 25 A
		Tension max	14.4 VCC (batterie GEL)	28.8 VCC (batterie GEL)	14.4 VCC (batterie GEL)	28.8 VCC (batterie GEL)
		Compensation de température	-25 mV par °C	-50 mV par °C	-25 mV par °C	-50 mV par °C
		Type de chargeur	3 phases de charge (Bulk / Absorption / Float)			
	Signal & contrôle	Panneau de contrôle déporté (option)	CR-20C / CR-16B / CR-8			
		Borne panneau déporté	Contrôle des commandes On/Off			
		Borne de contact sec	Via un relais			
	Bypass	Relais	30 A / 120 VCA (systèmes 110 V)		16 A / 250 VCA (systèmes 230 V)	
Températures admissibles	À pleine puissance	-20 °C ~ +50 °C*				
	Déclassement	40 W par °C, 51~60°C				
	Stockage	-30 °C ~ +70 °C*				
Humidité relative	93% max, sans condensation					
Refroidissement	Ventilateur asservi à la charge et à la température					
Fonctions	Onduleur / Chargeur					
Caractéristiques mécaniques	Dimensions (LxHxP)	251 x 116 x 386 mm				
	Poids net	4.55 kg				
Normes et sécurité	Sécurité	UL458 & Supplement SA / UL1741		EN 62368-1		
	E-mark	---		CISPR 25, ISO7637-2		
	CEM	FCC Class A		EN55032 Class A* EN55024 Class A* EN61000-3-2, 3-3 EN61000-4-2, 3, 4, 5, 6, 8, 11		

Tableau 2 : caractéristiques - SC1200

Notes :

- Les valeurs indiquées sont données pour une tension de sortie de 100 V à 100 % de charge.
- Le courant de sortie CA est déterminé par la somme du courant de conversion et du courant réseau. Le courant réseau ne peut pas dépasser le calibre du disjoncteur intégré (protection entrée CA).
- Le courant d'entrée CA est limité par le disjoncteur.
- Les onduleurs SC sont des produits classés A. Dans un environnement domestique, ils risquent de créer des interférences auxquelles l'utilisateur devra remédier.
- Pour les modèles SC1200-112 et -124, la plage de températures de travail répondant à la norme de sécurité UL est -20°C ~ +40°C.

Caractéristiques électriques			Modèle				
			SC2000-112	SC2000-124	SC2000-212	SC2000-224	
Mode onduleur	Entrée	Tension d'entrée	12 VCC	24 VCC	12 VCC	24 VCC	
		Plage de tensions admissibles ($\pm 0.5V$)	10.5~16.5 VCC	21~33 VCC	10.5~16.5 VCC	21~33 VCC	
		Protection surtension ($\pm 0.5V$)	16.5 VCC	33 VCC	16.5 VCC	33 VCC	
		Alarme surtension ($\pm 0.5V$)	15.5 VCC	31 VCC	15.5 VCC	31 VCC	
		Protection sous tension ($\pm 0.5V$)	10.5 VCC	21 VCC	10.5 VCC	21 VCC	
		Alarme sous tension ($\pm 0.5V$)	11.0 VCC	22.0 VCC	11.0 VCC	22.0 VCC	
		Courant max	260 A	130 A	260 A	130 A	
		Courant à vide	< 4.0 A @12.5 V	< 2.0 A @25 V	< 4.0 A @12.5 V	< 2.0 A @25 V	
		Courant de veille	< 0.4 A	< 0.2 A	< 0.4 A	< 0.2 A	
	Sortie	Puissance, continu	2000 VA $\pm 3\%$				
		Puissance, crête	101~115 % de la charge sur 1 minute 116~200 % de la charge sur 3 secondes				
			4000 VA sur 2 secondes				
		Fréquence	50 / 60 Hz $\pm 3\%$ (paramétrable)				
		Tension de sortie	100 / 110 / 115 / 120 VCA $\pm 3\%$		200 / 220 / 230 / 240 VCA $\pm 3\%$		
		Rendement max (pleine charge)	89%	90%	89%	90%	
		Signal de sortie	Pur sinus DHT : <5% @ 12.5 V / 25 V / 115 VCA, charge linéaire DHT : <3% @ 12.5 V / 25 V / 230 VCA, charge linéaire				
		Courant de sortie (conversion seule)*	20 A max		10 A max		
	Secteur + conversion*	30 A max		26 A max			
	Protections	En entrée	Surtension / Sous-tension, Inversion de polarités (fusible interne)				
		Sortie CA	Court-circuit, surcharge				
		Entrée CA	Disjoncteur 30 A		Disjoncteur 16 A		
		Surchauffe	Coupure				
		Température batteries	Capteur (connexion type RJ-11)				
	Mode chargeur	Entrée CA	Tension d'entrée	110 VCA (50/60 Hz, paramétrable)		230 VCA (50/60 Hz, paramétrable)	
			Plage de tensions admissibles	90 ~ 132 VCA		180 ~ 264 VCA	
			Plage de fréquences admissibles	47~53 Hz @ 50 Hz / 57~63 Hz @ 60 Hz			
			Courant nominal	16.5 A @ 110 VCA		7.9 A @ 230 VCA	
Rendement			>88%				
Seuil courant CA*			30 A max		16 A max		
Facteur de puissance			Jusqu'à 0.95 (Max)				

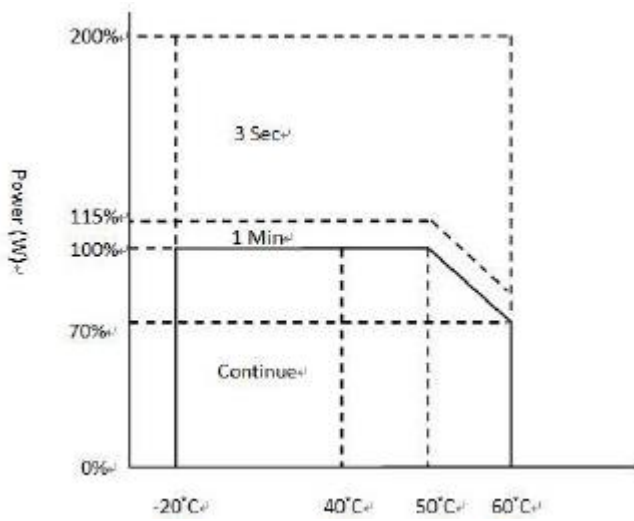
Caractéristiques électriques			Modèle			
			SC2000-112	SC2000-124	SC2000-212	SC2000-224
Mode chargeur (suite)	Sortie CC auxiliaire	Tension de sortie	Égale à la tension de la batterie			
		Courant de sortie	20 A max			
	Sortie CC	Choix du courant de sortie	25 / 50 / 75 / 100A	12.5 / 25 / 37.5 / 50A	25 / 50 / 75 / 100A	12.5 / 25 / 37.5 / 50A
		Tension max	14.4 VCC (batterie GEL)	28.8 VCC (batterie GEL)	14.4 VCC (batterie GEL)	28.8 VCC (batterie GEL)
		Compensation de température	-25 mV par °C	-50 mV par °C	-25 mV par °C	-50 mV par °C
		Type de chargeur	3 phases de charge (Bulk / Absorption / Float)			
	Signal & contrôle	Panneau de contrôle déporté (option)	CR-20C / CR-16B / CR-8			
		Borne panneau déporté	Contrôle des commandes On/Off			
		Borne de contact sec	Via un relais			
	Bypass	Relais	30 A / 120 VCA (systèmes 110 V)		16 A / 250 VCA (systèmes 230 V)	
Températures admissibles	À pleine charge	-20 °C ~ +40 °C				
	Déclassement	60 W par °C, 41~60°C				
	Stockage	-30 °C ~ +70 °C*				
Humidité relative		93% max, sans condensation				
Refroidissement		Ventilateur asservi à la charge et à la température				
Fonctions		Onduleur / Chargeur				
Caractéristiques mécaniques	Dimensions (LxHxP)	251 x 116 x 453 mm				
	Poids net	6 kg				
Normes et sécurité	Sécurité	UL458 & Supplement SA / UL1741		EN 62368-1		
	E-mark	---		CISPR 25, ISO7637-2		
	CEM	FCC Class A		EN55032 Class A* EN55024 Class A* EN61000-3-2, 3-3 EN61000-4-2, 3, 4, 5, 6, 8, 11		

Tableau 3 : caractéristiques - SC2000

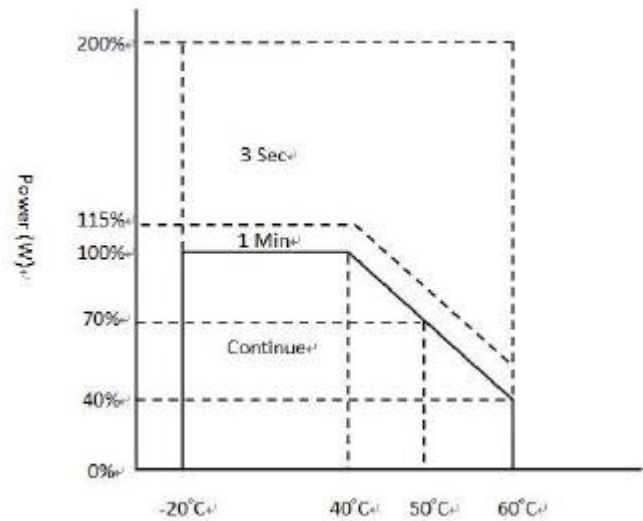
Notes :

1. Les valeurs indiquées sont données pour une tension de sortie de 100 V à 100 % de charge.
2. Le courant de sortie CA est déterminé par la somme du courant de conversion et du courant réseau. Le courant réseau ne peut pas dépasser le calibre du disjoncteur intégré (protection entrée CA).
3. Le courant d'entrée CA est limité par le disjoncteur.
4. Les onduleurs SC sont des produits classés A. Dans un environnement domestique, ils risquent de créer des interférences auxquelles l'utilisateur devra remédier.

Courbes de déclassement



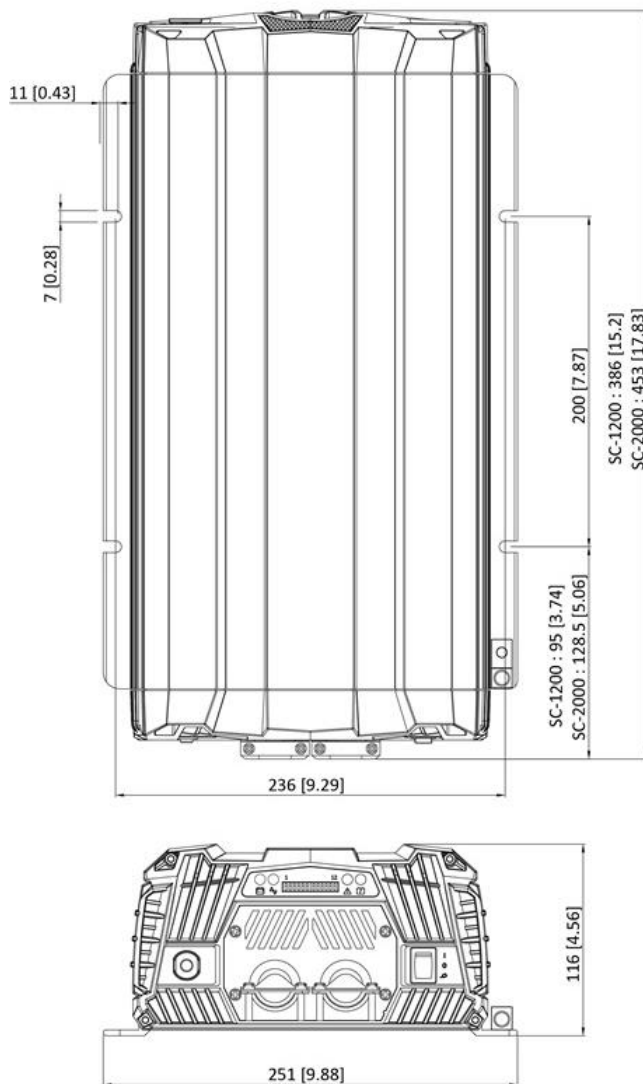
Courbes de déclassement - SC1200



Courbes de déclassement - SC2000

Schéma 2 : courbes de déclassement - Série SC

2-3. Schémas d'encombrement



Unités : mm [inch]

Schéma 3 : cotes - Série SC

3. Installation et maintenance

Les procédures et règles de sécurité doivent impérativement être respectées durant l'installation et la mise en service. Voir chapitre 1 de ce manuel.

3-1. Déballage

Après déballage, vérifier que tous les équipements sont en bon état. Ne pas utiliser l'appareil s'il est endommagé. En cas de dommages, contacter votre distributeur.

S'assurer que la tension de la batterie est compatible avec la tension d'entrée de l'appareil. S'assurer également que la tension et le courant de sortie sont suffisants pour l'application.

3-2. Panneau avant

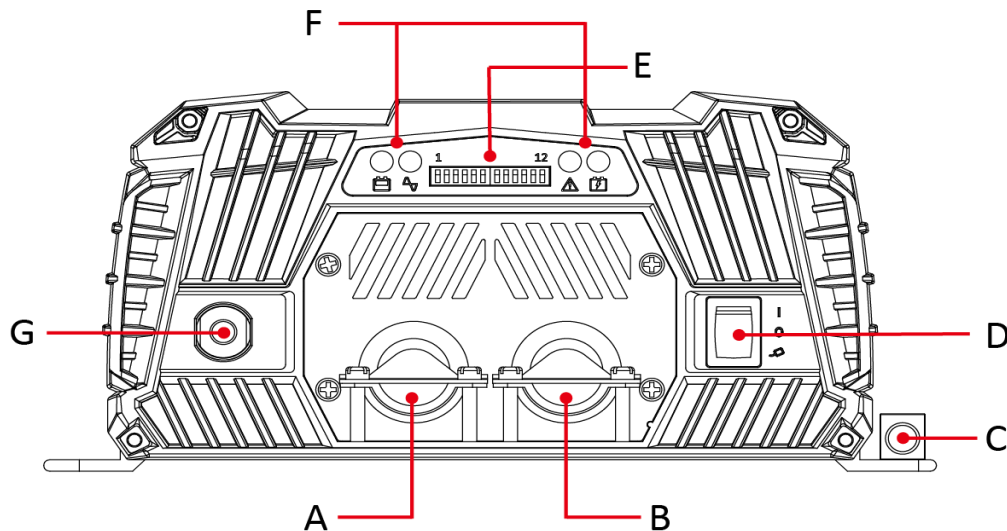




Schéma 4 : présentation du panneau avant - Série SC

Panneau avant									
A	<p>Sortie CA</p> <p>Deux orifices 3/4" munis de serre-câbles pour sécuriser les connexions et réduire les contraintes sur les câbles d'entrée et sortie CA.</p>								
B	<p>Entrée CA</p> <table border="1" style="width: 100%; border-collapse: collapse;"> <thead> <tr> <th colspan="2">Front panel</th> </tr> </thead> <tbody> <tr> <td style="text-align: center;">1</td> <td>Bornes sortie CA - Phase et neutre (L/N)</td> </tr> <tr> <td style="text-align: center;">2</td> <td>Bornes entrée CA - Phase et neutre (L/N)</td> </tr> <tr> <td style="text-align: center;">3</td> <td>Bornes de liaison à la terre - Entrée / Sortie CA</td> </tr> </tbody> </table> <p>*Si l'alimentation réseau est équipée d'un disjoncteur différentiel de fuite à la terre, prendre soin de paramétrer le courant d'entrée max conformément aux caractéristiques du disjoncteur afin de ne pas risquer de l'endommager.</p>	Front panel		1	Bornes sortie CA - Phase et neutre (L/N)	2	Bornes entrée CA - Phase et neutre (L/N)	3	Bornes de liaison à la terre - Entrée / Sortie CA
Front panel									
1	Bornes sortie CA - Phase et neutre (L/N)								
2	Bornes entrée CA - Phase et neutre (L/N)								
3	Bornes de liaison à la terre - Entrée / Sortie CA								

		<table border="1"> <thead> <tr> <th>Modèle</th> <th>Entrée CA</th> <th>Sortie CA</th> <th>Bornes de terre</th> </tr> </thead> <tbody> <tr> <td>SC1200-112</td> <td>30A/6mm²</td> <td>30A/6mm²</td> <td>30A/6mm²</td> </tr> <tr> <td>SC1200-124</td> <td>30A/6mm²</td> <td>30A/6mm²</td> <td>30A/6mm²²</td> </tr> <tr> <td>SC1200-212</td> <td>16A/4mm²</td> <td>22A/6mm²</td> <td>30A/6mm²</td> </tr> <tr> <td>SC1200-224</td> <td>16A/4mm²</td> <td>22A/6mm²</td> <td>30A/6mm²</td> </tr> <tr> <td>SC2000-112</td> <td>30A/6mm²</td> <td>30A/6mm²</td> <td>30A/6mm²</td> </tr> <tr> <td>SC2000-124</td> <td>30A/6mm²</td> <td>30A/6mm²</td> <td>30A/6mm²</td> </tr> <tr> <td>SC2000-212</td> <td>16A/4mm²</td> <td>26A/6mm²</td> <td>26A/6mm²</td> </tr> <tr> <td>SC2000-224</td> <td>16A/4mm²</td> <td>26A/6mm²</td> <td>26A/6mm²</td> </tr> </tbody> </table>	Modèle	Entrée CA	Sortie CA	Bornes de terre	SC1200-112	30A/6mm ²	30A/6mm ²	30A/6mm ²	SC1200-124	30A/6mm ²	30A/6mm ²	30A/6mm ²²	SC1200-212	16A/4mm ²	22A/6mm ²	30A/6mm ²	SC1200-224	16A/4mm ²	22A/6mm ²	30A/6mm ²	SC2000-112	30A/6mm ²	30A/6mm ²	30A/6mm ²	SC2000-124	30A/6mm ²	30A/6mm ²	30A/6mm ²	SC2000-212	16A/4mm ²	26A/6mm ²	26A/6mm ²	SC2000-224	16A/4mm ²	26A/6mm ²	26A/6mm ²
Modèle	Entrée CA	Sortie CA	Bornes de terre																																			
SC1200-112	30A/6mm ²	30A/6mm ²	30A/6mm ²																																			
SC1200-124	30A/6mm ²	30A/6mm ²	30A/6mm ²²																																			
SC1200-212	16A/4mm ²	22A/6mm ²	30A/6mm ²																																			
SC1200-224	16A/4mm ²	22A/6mm ²	30A/6mm ²																																			
SC2000-112	30A/6mm ²	30A/6mm ²	30A/6mm ²																																			
SC2000-124	30A/6mm ²	30A/6mm ²	30A/6mm ²																																			
SC2000-212	16A/4mm ²	26A/6mm ²	26A/6mm ²																																			
SC2000-224	16A/4mm ²	26A/6mm ²	26A/6mm ²																																			
C	Borne de masse	<p>Cette borne est prévue pour connecter l'appareil à la masse (châssis/coque). Elle est compatible avec des conducteurs type CU/AL d'une section comprise entre 2,5 à 35 mm² (#14 à #2 AWG).</p> <p>AVERTISSEMENT!</p> <p> Elle n'est efficace que si l'appareil est correctement relié à la terre. Raccorder la borne de masse au châssis du véhicule ou à une barre de distribution négative sur un bateau.</p> <p>Se reporter aux normes en vigueur pour cette connexion.</p> <p>Pour des raisons de sécurité, le conducteur neutre (N) de la sortie CA doit être raccordé à la terre (PE/GND) lorsque l'appareil fonctionne en mode onduleur. Lorsque le réseau est de nouveau disponible sur l'entrée CA et que l'appareil fonctionne en mode chargeur, cette connexion doit être désactivée.</p> <p>Sur certaines applications, la liaison automatique du neutre (N) à la terre (PE/GND) n'est pas requise, voire est interdite, c'est pourquoi la fonction est désactivée par défaut.</p>																																				
D	Interrupteur M/A	Interrupteur 3 positions : Marche / Arrêt / Commande déportée.																																				
E	Interrupteurs DIP	<p></p> <table border="1"> <thead> <tr> <th>Interrupteur DIP</th> <th>Fonction</th> </tr> </thead> <tbody> <tr> <td>S1</td> <td rowspan="2">Choix tension de sortie (voir 3-2-1-1)</td> </tr> <tr> <td>S2</td> </tr> <tr> <td>S3</td> <td>Choix fréquence de sortie (voir 3-2-1-2)</td> </tr> <tr> <td>S4</td> <td rowspan="3">Choix courant max entrée CA (voir 3-2-1-3)</td> </tr> <tr> <td>S5</td> </tr> <tr> <td>S6</td> </tr> <tr> <td>S7</td> <td rowspan="2">Choix type de batterie (voir 3-2-1-4)</td> </tr> <tr> <td>S8</td> </tr> <tr> <td>S9</td> <td rowspan="2">Choix courant de charge (voir 3-2-1-5)</td> </tr> <tr> <td>S10</td> </tr> <tr> <td>S11</td> <td>On/Off source CC (voir 3-2-1-6)</td> </tr> <tr> <td>S12</td> <td>On/Off mode veille (voir 3-2-1-7)</td> </tr> </tbody> </table>	Interrupteur DIP	Fonction	S1	Choix tension de sortie (voir 3-2-1-1)	S2	S3	Choix fréquence de sortie (voir 3-2-1-2)	S4	Choix courant max entrée CA (voir 3-2-1-3)	S5	S6	S7	Choix type de batterie (voir 3-2-1-4)	S8	S9	Choix courant de charge (voir 3-2-1-5)	S10	S11	On/Off source CC (voir 3-2-1-6)	S12	On/Off mode veille (voir 3-2-1-7)															
Interrupteur DIP	Fonction																																					
S1	Choix tension de sortie (voir 3-2-1-1)																																					
S2																																						
S3	Choix fréquence de sortie (voir 3-2-1-2)																																					
S4	Choix courant max entrée CA (voir 3-2-1-3)																																					
S5																																						
S6																																						
S7	Choix type de batterie (voir 3-2-1-4)																																					
S8																																						
S9	Choix courant de charge (voir 3-2-1-5)																																					
S10																																						
S11	On/Off source CC (voir 3-2-1-6)																																					
S12	On/Off mode veille (voir 3-2-1-7)																																					
F	Témoins à LED	De gauche à droite : "Tension batterie", "Charge des consommateurs CA", "Statut chargeur", "Statut appareil"* *voir 3-2-2																																				

G	Disjoncteur intégré	Protection entrée CA.
----------	--------------------------------	-----------------------

Tableau 4 : présentation du panneau avant - Série SC

3-2-1. Interrupteurs DIP : (repère E)**3-2-1-1 Tension de sortie (S1,S2) :**

Tension de sortie	S1	S2
100V / 200V	OFF	OFF
110V / 220V	ON	OFF
115V / 230V	OFF	ON
120V / 240V	ON	ON

Tableau 5 : tension de sortie

3-2-1-2 Fréquence de sortie (S3) :

Fréquence	S3
50HZ	OFF
60HZ	ON

Tableau 6 : fréquence de sortie

3-2-1-3 Courant max, entrée CA (S4,S5,S6) : par défaut : 15A/10A

Courant max, entrée CA 100~120V / 200~240V	S4	S5	S6
3A / 2A	OFF	OFF	OFF
6A / 4A	ON	OFF	OFF
9A / 6A	OFF	ON	OFF
12A / 8A	ON	ON	OFF
15A / 10A	OFF	OFF	ON
20A / 12A	ON	OFF	ON
25A / 14A	OFF	ON	ON
30A / 16A	ON	ON	ON

Tableau 7 : courant max, entrée CA

3-2-1-4 Type de batterie (S7,S8) : profil par défaut : GEL

Type de batterie	S7	S8
GEL	OFF	OFF

Plomb-acide humide	ON	OFF
AGM	OFF	ON
Spécifique	ON	ON

Tableau 8 : type de batterie

3-2-1-5 Courant de charge, en % (S9,S10) : par défaut : 100%

Charger Current (%)	S9	S10
25%	OFF	OFF
50%	ON	OFF
75%	OFF	ON
100%	ON	ON

Tableau 9 : courant de charge

3-2-1-6 Sortie CC aux. (S11) : par défaut : désactivée (OFF)

Fonction ESB	S11
OFF	OFF
ON	ON

Tableau 10 : activation / désactivation sortie CC auxiliaire

3-2-1-7 Mode éco (S12) : par défaut : désactivé (OFF)

Le mode éco est automatiquement activé si la demande des consommateurs est <20 W durant 10 secondes.

Mode Eco	S12
OFF	OFF
ON	ON

Tableau 11 : activation / désactivation mode éco

3-2-2 Témoins à LED





Icon	Description	Icon	Description
	Batterie		Mode onduleur
	Alarme		Mode chargeur

Tableau 12 : témoin à LED














Couleur	État				
Vert	Éteint				Mode onduleur
	 Allumé, fixe	Normal (12V: 11.5 ~ 15.0V) (24V: 23.0 ~ 30.0V)	Normal (0~100%)	Normal	Phase de Float
	 Flashes lents			Protection température haute	Mode égalisation
	 Flashes rapides			Protection température basse	Mode régénération
Orange	Éteint				Mode onduleur
	 Allumé, fixe	Tension basse batterie (12V: 11.0 ~ 11.5V) (24V: 22.0 ~ 23.0V) Tension haute batterie (12V: 15.0 ~ 15.5V) (24V: 30.0 ~ 31.0V)	Surcharge (100%-115%)	Défaut, phase ou fréquence hors limites admissibles	Phase d'absorption
	 Flashes lents			Tension réseau hors limites admissibles	Phase de Bulk
	 Flashes rapides			Courant réseau hors limites admissibles	
Rouge	Éteint				Mode onduleur
	 Allumé, fixe	Tension basse batterie (12V: < 11.0V) (24V: < 22.0V) Tension haute batterie (12V: >15.5V) (24V: >31.0V)	Surcharge (>115%)	Protection surcharge / court-circuit	
	 Flashes lents			Protection tension basse batterie (12V: < 10.5V) (24V: < 21.0V)	
	 Flashes rapides			Protection tension haute batterie (12V: >16.5V) (24V: >33.0V)	

Tableau 13 : témoin à LED

3-3. Panneau arrière

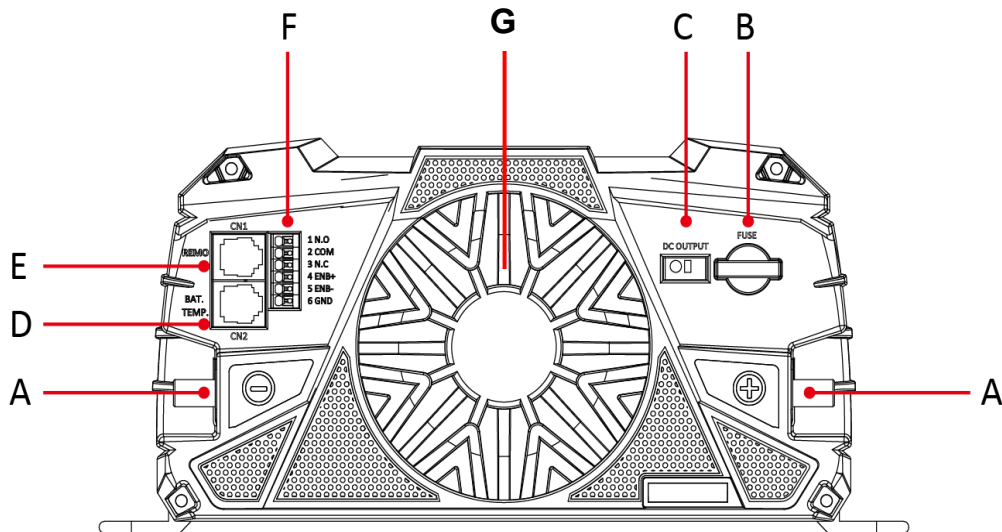

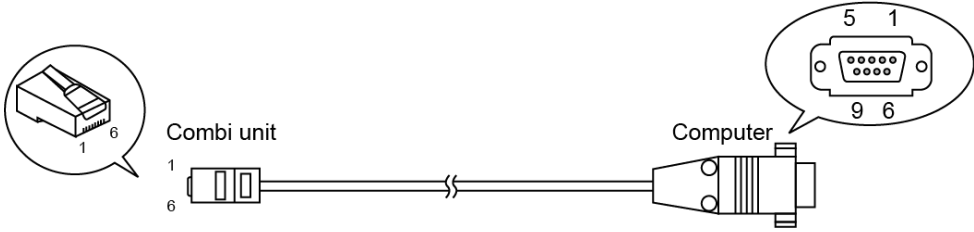


Schéma 5 : présentation du panneau arrière - Série SC

Panneau arrière																		
A	Entrée CC	<p>Suivre les instructions suivantes pour raccorder l'entrée CC aux batteries.</p> <p>Les câbles doivent être le plus court possible, idéalement inférieur à 1,80 m (6 pieds) pour gérer les courants requis conformément aux normes et au code de bonne pratiques électriques.</p> <p>La section doit être suffisante pour limiter les chutes de tension à moins de 2% de la valeur max du courant d'entrée et de prévenir les arrêts et alarmes tension basse à répétition. Si les chutes de tension entre la batterie et l'appareil sont trop importantes elles déclencheront des alarmes tension batterie basse. Augmenter la section des câbles aide généralement à résoudre ce type de problèmes.</p> <p>En cas de court-circuit, les batteries sont susceptibles de fournir des courants très forts, capables de faire fondre les câbles voire de provoquer un incendie et des risques de blessures. Pour prévenir ces risques monter un fusible à action ultra rapide sur le conducteur positif. Placer le fusible le plus près possible de la borne positive sur la batterie.</p> <p>Dimensionnement recommandé des câbles et fusibles pour une distance pouvant atteindre 1,80 m (6 pieds) entre l'appareil et la batterie :</p> <table border="1" style="width: 100%; border-collapse: collapse;"> <thead> <tr> <th>Modèle</th> <th>Section câbles</th> <th>Fusible en ligne</th> <th>Fusible externe</th> </tr> </thead> <tbody> <tr> <td>SC1200-124 SC1200-224</td> <td>16 mm² (#6)</td> <td>100 A</td> <td>>100 A</td> </tr> <tr> <td>SC1200-112 SC1200-212 SC2000-124 SC2000-224</td> <td>35 mm² (#2)</td> <td>200 A</td> <td>>200 A</td> </tr> <tr> <td>SC2000-112 SC2000-212</td> <td>70 mm² (#2/0)</td> <td>400 A</td> <td>>400 A</td> </tr> </tbody> </table>	Modèle	Section câbles	Fusible en ligne	Fusible externe	SC1200-124 SC1200-224	16 mm ² (#6)	100 A	>100 A	SC1200-112 SC1200-212 SC2000-124 SC2000-224	35 mm ² (#2)	200 A	>200 A	SC2000-112 SC2000-212	70 mm ² (#2/0)	400 A	>400 A
Modèle	Section câbles	Fusible en ligne	Fusible externe															
SC1200-124 SC1200-224	16 mm ² (#6)	100 A	>100 A															
SC1200-112 SC1200-212 SC2000-124 SC2000-224	35 mm ² (#2)	200 A	>200 A															
SC2000-112 SC2000-212	70 mm ² (#2/0)	400 A	>400 A															
B	Fusible sortie aux. CC	Protection courant de sortie.																

C	Sortie aux. CC	Les appareils de la série SC sont munis d'une sortie CC supplémentaire permettant de maintenir la charge d'une seconde batterie de petite capacité. Courant max : 20A.																																												
D	Port capteur de température batterie (RJ-11) (Option)	<p>Si un capteur est raccordé via le port RJ-11, l'appareil peut automatiquement ajuster la tension de charge en fonction de la température de la batterie.</p>  <p>Capteur de température batterie</p>																																												
E	Port commande déportée (RS-232)	<p>Le port RS-232 permet de contrôler l'appareil à partir d'un ordinateur.</p>  <p>Combi unit</p> <p>Computer</p> <table border="1" data-bbox="491 1308 1378 1675"> <thead> <tr> <th colspan="2">Onduleur SC</th> <th colspan="2">Ordinateur</th> </tr> <tr> <th>Broche</th> <th>Description</th> <th>Broche</th> <th>Description</th> </tr> </thead> <tbody> <tr> <td>1</td> <td>Non utilisée</td> <td>1</td> <td>Non utilisée</td> </tr> <tr> <td>2</td> <td>GND (masse)</td> <td>2</td> <td>RXD (réception)</td> </tr> <tr> <td>3</td> <td>RXD (réception)</td> <td>3</td> <td>TXD (transmission)</td> </tr> <tr> <td>4</td> <td>TXD (transmission)</td> <td>4</td> <td>Non utilisée</td> </tr> <tr> <td>5</td> <td>Panneau déporté</td> <td>5</td> <td>GND (masse)</td> </tr> <tr> <td>6</td> <td>VCC</td> <td>6</td> <td>Non utilisée</td> </tr> <tr> <td></td> <td></td> <td>7</td> <td>Non utilisée</td> </tr> <tr> <td></td> <td></td> <td>8</td> <td>Non utilisée</td> </tr> <tr> <td></td> <td></td> <td>9</td> <td>Non utilisée</td> </tr> </tbody> </table>	Onduleur SC		Ordinateur		Broche	Description	Broche	Description	1	Non utilisée	1	Non utilisée	2	GND (masse)	2	RXD (réception)	3	RXD (réception)	3	TXD (transmission)	4	TXD (transmission)	4	Non utilisée	5	Panneau déporté	5	GND (masse)	6	VCC	6	Non utilisée			7	Non utilisée			8	Non utilisée			9	Non utilisée
Onduleur SC		Ordinateur																																												
Broche	Description	Broche	Description																																											
1	Non utilisée	1	Non utilisée																																											
2	GND (masse)	2	RXD (réception)																																											
3	RXD (réception)	3	TXD (transmission)																																											
4	TXD (transmission)	4	Non utilisée																																											
5	Panneau déporté	5	GND (masse)																																											
6	VCC	6	Non utilisée																																											
		7	Non utilisée																																											
		8	Non utilisée																																											
		9	Non utilisée																																											

La borne "Remote" (commande déportée) peut être raccordée à un relais de forme C, qui commutera en cas de défaut.



NOTE

Types de défauts pris en charge : sous/sur tension en entrée, court-circuit en sortie, surchauffe, surcharge, dysfonctionnement ventilateur.

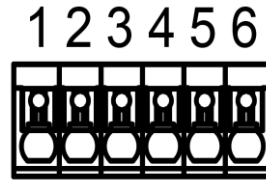


Schéma 6 : borne commande déportée

Voie	Description	Voie	Description
1	Contact sec (Normalement Ouvert)	4	Enable+ (ENB)
2	Commun	5	Enable- (ENB)
3	Contact sec (Normalement Fermé)	6	Masse (GND)

RS-232 / Borne commande déportée

F Borne commande déportée et contact sec

Utiliser un câble d'une section comprise entre 0,25 et 0,5 mm² pour raccorder la commande déportée (20 ~ 24 #AWG).

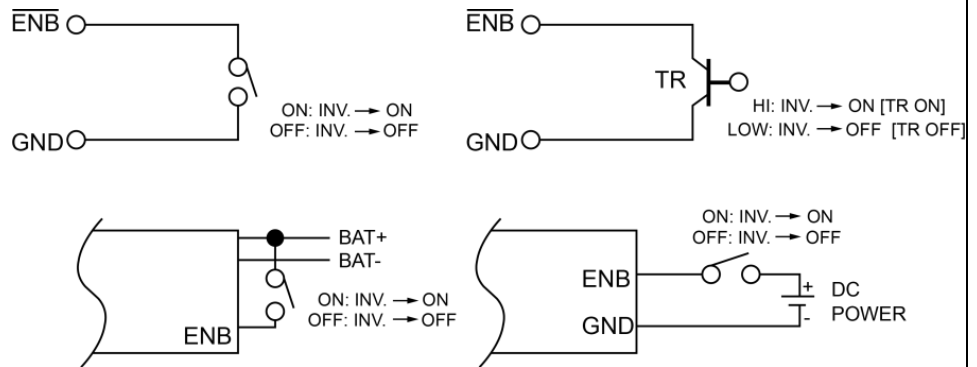


Schéma 7 : options de câblage commande déportée

Caractéristiques du relais					
Tension max	Charge	Calibre		Cycles	Plage de temp. travail/stockage
		NO	NF		
250 VCA	Résistive	1 A	—	100 000	-30°C ~ +75°C
250 VCA	Résistive	—	1 A	—	
24 VCC	Résistive	1 A	—	—	
24 VCC	Résistive	—	1 A	—	

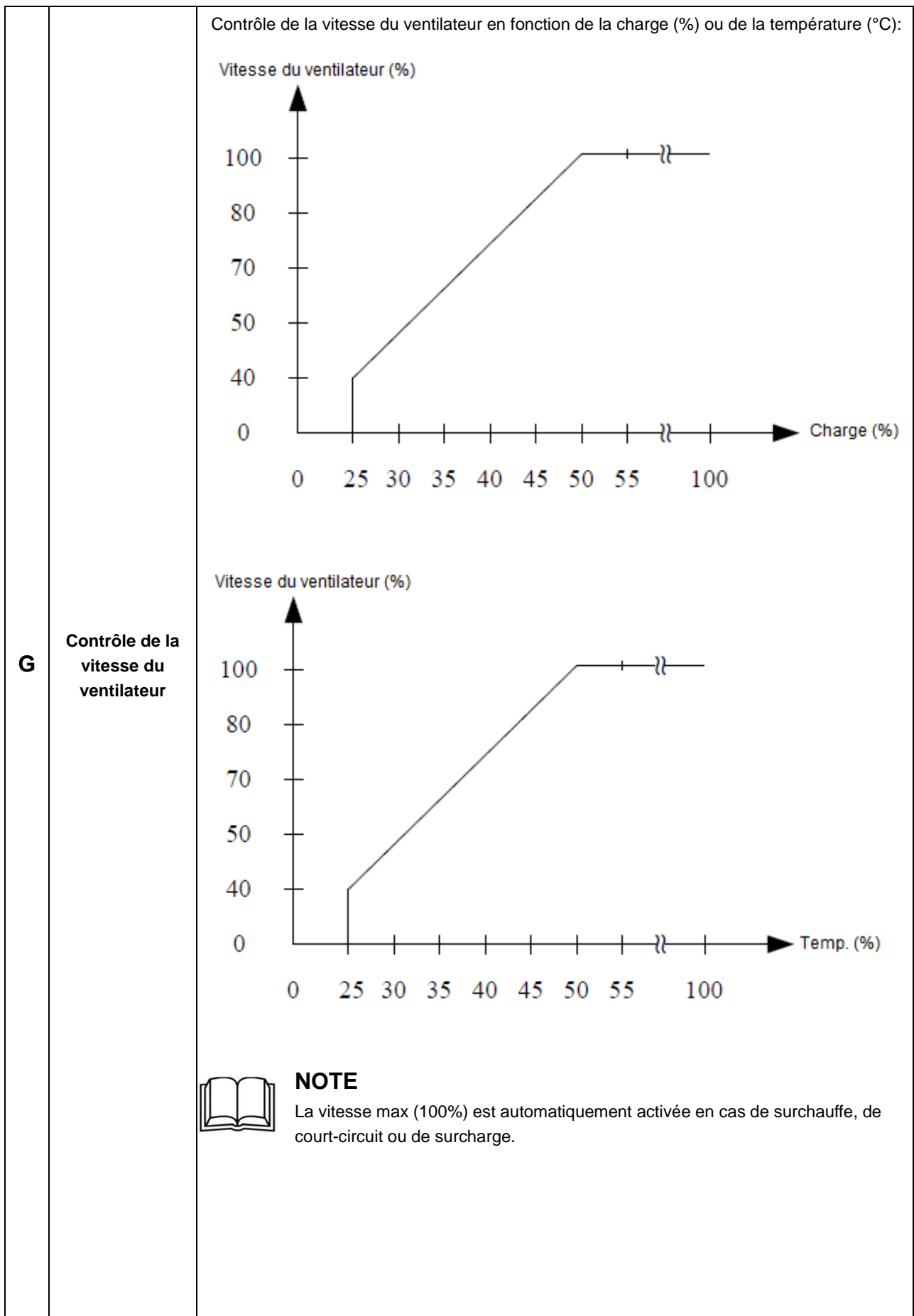


Tableau 14 : présentation du panneau arrière - Série SC

3-4. Instructions de montage

3-4-1. Montage sur cloison (marine)

Étape 1. Visser la protection anti-projections sur la cloison.

Étape 2. Visser l'appareil sous la protection anti-projections. L'appareil doit être monté au moins 70 cm au-dessus du sol. Prévoir un dégagement minimum de 83 mm sur les côtés de l'appareil.

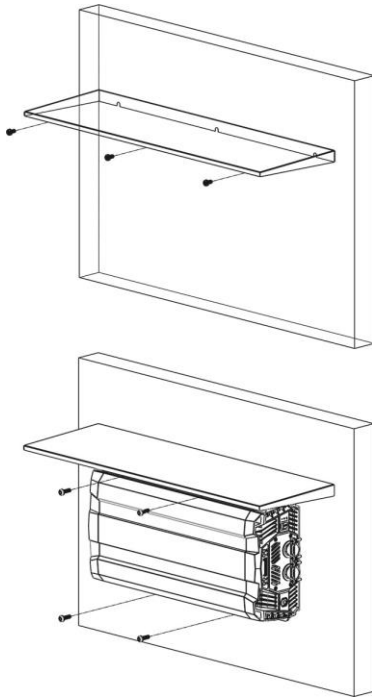


Schéma 8 : montage sur cloison, étape 1

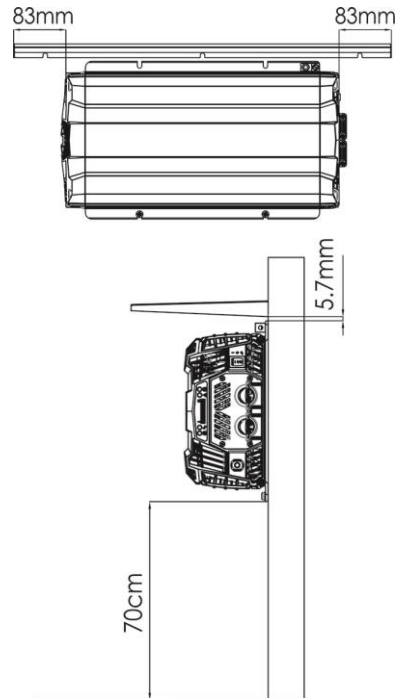


Schéma 9 : montage sur cloison, étape 2

3-4-2. Montage sur plafond (véhicules ou marine)

Visser l'appareil au plafond en tenant compte des contraintes suivantes :

b. Prévoir un dégagement minimum de 70 cm sous l'appareil.

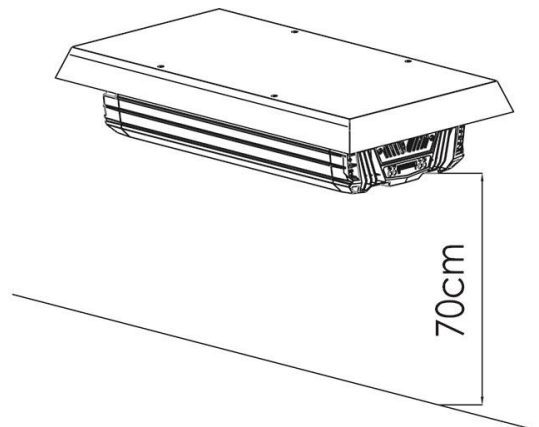
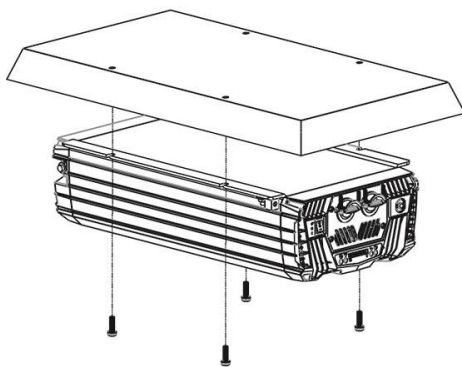


Schéma 10 : montage au plafond

4. Présentation de l'appareil

Le SC est à la fois chargeur de batterie, onduleur pur sinus et système de transfert de source.

1. Le chargeur à cycles de charge en trois phases garantit que la batterie est toujours chargée à 100% de sa capacité. 2. L'onduleur pur sinus garantit l'accès à une source CA fiable, même lorsque le réseau n'est pas disponible. 3. La source CA peut être fournie soit par le réseau soit par un groupe électrogène. 4. La source CC peut être fournie par un parc batteries correctement chargé.

4-1. Présentation du chargeur

Le SC est compatible avec la plupart des batteries. Le profil pour batteries gel est le profil paramétré par défaut mais l'utilisateur peut sélectionner le profil convenant à son application via des interrupteurs DIP. Le tableau suivant indique les tensions de charge des différents profils.



ATTENTION

Consigne de sécurité : ne pas sélectionner un profil pour batterie de traction si le parc est composé de batteries GEL constituées d'un assemblage de cellules 2 V.

Phase de charge	Gel		Humide	
	@12 VCC	@24 VCC	@12 VCC	@24 VCC
Bulk	14.4 VCC	28.8 VCC	14.7 VCC	29.4 VCC
Absorption	14.1 VCC	28.2 VCC	14.6 VCC	29.2 VCC
Float	13.6 VCC	27.2 VCC	13.4 VCC	26.8 VCC
Égalisation	Voir note	Voir note	15.5 VCC	31 VCC

Tableau 15 : profils batterie I

Phase de charge	AGM		Spécifique*	
	@12 VCC	@24 VCC	@12V CC	@24 VCC
Bulk	14.7 VCC	29.4 VCC	12.0~16.0 VCC	24.0~32.0 VCC
Absorption	14.3 VCC	28.6 VCC		
Float	13.1 VCC	26.2 VCC		
Égalisation	15.5 VCC	31 VCC		

* L'utilisateur peut spécifier ses propres tension mais seulement via un panneau déporté ou un PC.

Tableau 16 : profils batterie II



NOTE

La charge d'égalisation ne s'applique pas aux batteries GEL. Pour ce type de batterie ces valeurs sont donc identiques aux valeurs d'absorption.



AVERTISSEMENT !

En paramétrant un profil spécifique (personnalisé), attention de ne pas spécifier une tension d'égalisation inférieure à la tension d'absorption. La tension d'égalisation ne doit pas non plus dépasser la tension d'absorption de plus de 2 V pour une batterie 12 V ou de plus de 4 V pour une batterie 24 V.

4-1-1. Algorithme de charge

Le SC est équipé d'un chargeur avec régulation proportionnelle intégrale et contrôle du facteur de puissance. Via le contrôleur CFP, le chargeur tente d'obtenir un facteur de puissance le plus proche possible de 1, s'apparentant ainsi à une résistance en ligne, afin d'obtenir une forme de courant de charge identique à la forme de tension de charge. Le régulateur PI permet une variation indépendante de la tension et du courant de charge. Ces deux fonctions combinées optimisent le courant délivré par la source CA (réseau ou groupe électrogène) ; ce qui permet de limiter le gaspillage et d'augmenter les performances du chargeur. Lorsqu'une source CA est disponible, le chargeur vérifie si la tension CA se situe dans les limites admissibles. Si tel est le cas, le relais ferme le circuit et la charge commence. L'algorithme de charge analyse la tension des batteries pour déterminer la phase de charge adéquate, le cas échéant, il bascule en phase de Float.

En cas de coupure, et si le réseau / la source CA est restauré dans un délai inférieur à 2 minutes, le chargeur reprend où il en était, quelle que soit la tension de la batterie.

Les SC-1200/2000 utilisent un cycle de charge en 3 phases (voir Schéma 1 et 2) : Bulk, Absorb, et Float ; ils disposent aussi d'une charge d'égalisation (EQ) à sélectionner manuellement. L'algorithme compense la tension de charge en fonction de la température, afin de recharger complètement les batteries en toute sécurité.

La charge d'égalisation ne peut être sélectionnée que via une commande déportée. Elle s'utilise pour régénérer une batterie dégradée par stratification et/ou sulfatation. Lorsque la tension CA en entrée descend en-dessous de 90 VCA pour les modèles 1xx- ou en-dessous de 180 VCA pour les modèles 2xx-, le chargeur stoppe la charge pour permettre à la tension de se stabiliser.

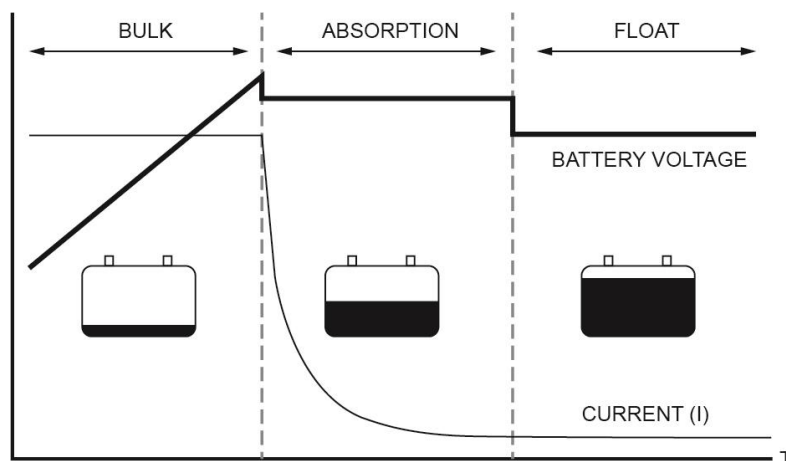


Schéma 11 : cycle de charge en 3 phases

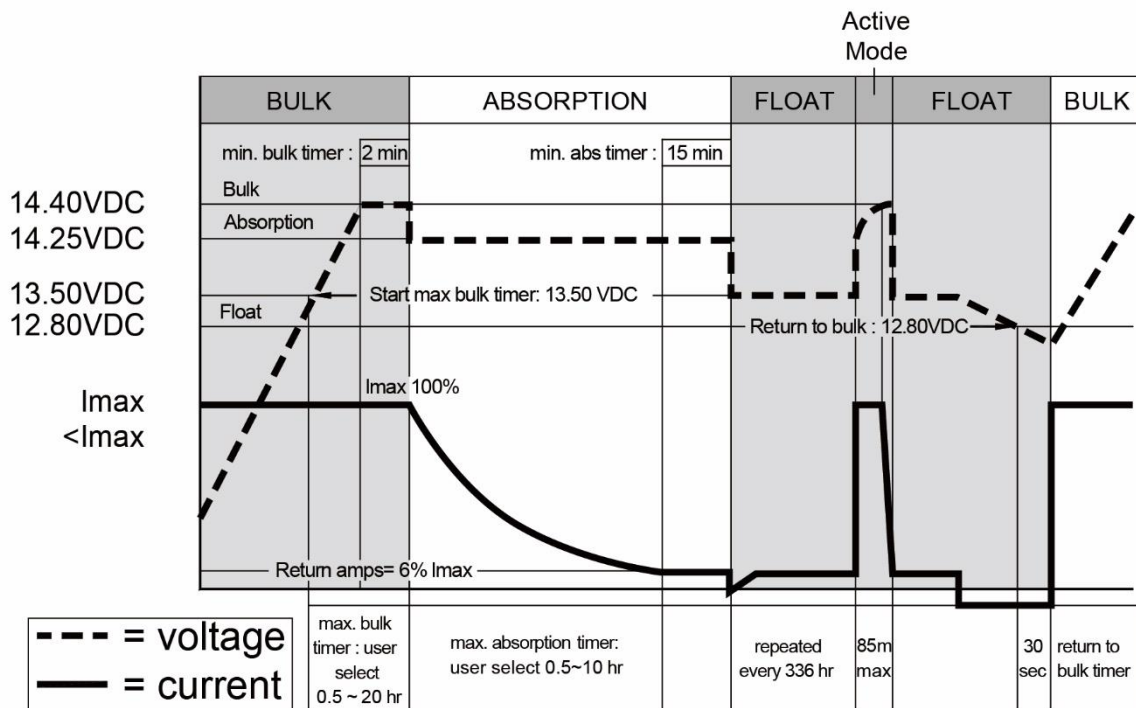


Schéma 12 : caractéristiques cycle de charge en 3 phases +

4-1-2. Phase de Bulk

Il s'agit de la phase initiale. En phase de Bulk, le chargeur délivre un courant constant pour recharger la batterie. La phase de Bulk se prolonge tant que le seuil de tension d'absorption correspondant au profil de batterie sélectionné n'est pas atteint (durée charge de Bulk : de 0,5 à 20 heures, paramètre **BulkMaxChTime**). Dès que ce seuil de tension est atteint, le chargeur bascule en mode Absorption.

4-1-3. Phase d'absorption

Il s'agit de la seconde phase de charge, elle se déclenche dès que le seuil de tension d'absorption est atteint. Durant la phase d'absorption, le chargeur utilise une tension constante pour recharger la batterie, en réduisant le courant de charge pour maintenir la tension d'absorption (durée charge d'absorption : de 0,5 à 10 heures, paramètre **AbsMaxChTime**). À l'issue de la phase d'absorption, le chargeur bascule en phase de Float.

4-1-4. Phase de Float

Cette troisième phase de charge démarre à l'issue de la phase d'absorption. Durant la phase de Float, le chargeur réduit la tension de charge (seuil déterminé par le profil de batterie sélectionné), afin d'entretenir le niveau de charge de la batterie. La phase de Float réduit la production d'émanations gazeuses, limite la perte d'électrolyte (batteries humides) et maintient la batterie à sa capacité optimale.

4-1-5. Charge d'égalisation

Une des fonctions de ce type de charge (intervenant, le cas échéant, entre la phase d'absorption et la phase de Float) est de débarrasser la batterie de la sulfatation résultant de décharges profondes.

L'autre fonction consiste à équilibrer la tension des cellules. Durant toute la durée de la charge d'égalisation, la tension de charge est élevée à 14.1 V. La durée du cycle est de 240 minutes (arrêt automatique).

Contrôler la densité de l'électrolyte toutes les heures et stopper la charge dès que celle-ci cesse d'augmenter. Si la densité n'augmente plus c'est qu'il n'est pas possible de faire mieux et prolonger la charge d'égalisation dans ces conditions aurait un effet négatif. La fréquence d'utilisation de ce type de charge varie d'un fabricant à l'autre, en cas de doute, consulter le fabricant de votre batterie.

4-1-6. Compensation de la tension en fonction de la température

L'appareil est livré avec un capteur permettant de mesurer la température de la batterie. S'il est installé, le chargeur pourra ajuster la tension de charge en fonction de la température. En présence d'une température inférieure à 20°C, les tensions des phases d'absorption et de Float seront augmentées et en présence d'une température supérieure à 20°C, elles seront diminuées. Se reporter au schéma 12 ci-dessous pour constater l'impact de la température de la batterie sur les tensions de charge.

Prenons par exemple une batterie humide 12 V pour laquelle la tension nominale d'absorption à 20°C est de 14,6 VCC. Si la température mesurée à la batterie est égale à 35°C, la tension d'absorption descend à 14,225 VCC ($14.6 - 0.375$). Si le capteur n'est pas installé, la tension de charge restera fixe quelle que soit la température, ce qui peut entraîner une usure prématurée de la batterie.

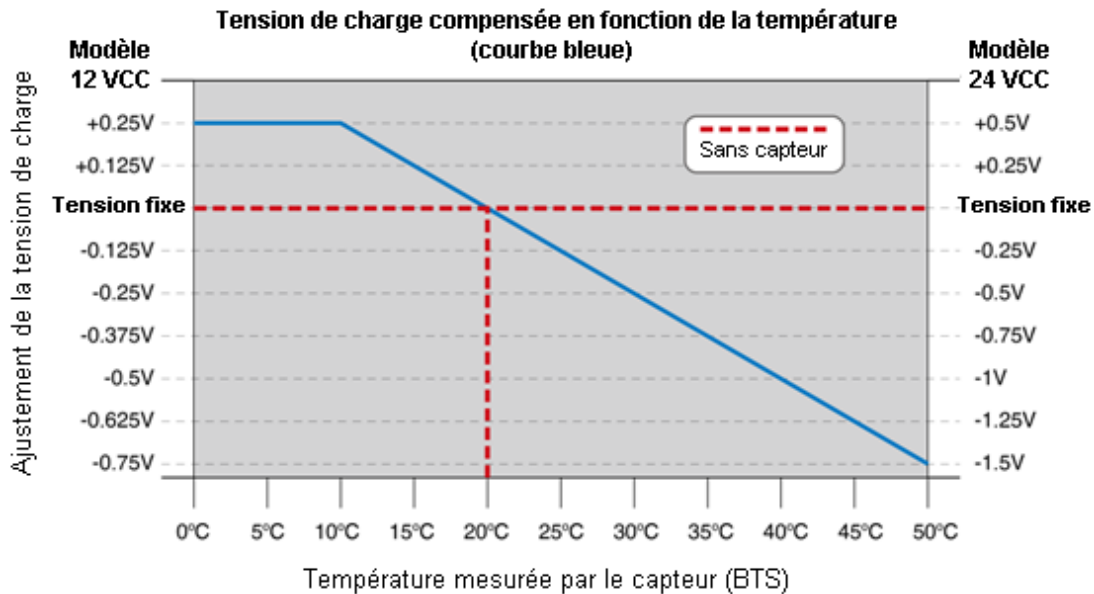


Schéma 12 : compensation de la tension en fonction de la température, capteur BTS installé

4-2. Utilisation de l'appareil

Le SC est plus qu'un simple onduleur-chargeur. Il est équipé de dispositifs permettant d'optimiser le courant CA en sortie, même lorsque la source est limitée.

4-2-1. Utilisation de base

Lorsqu'aucune source CA externe n'est disponible, l'onduleur utilise le courant de conversion généré à partir des batteries pour alimenter les consommateurs.

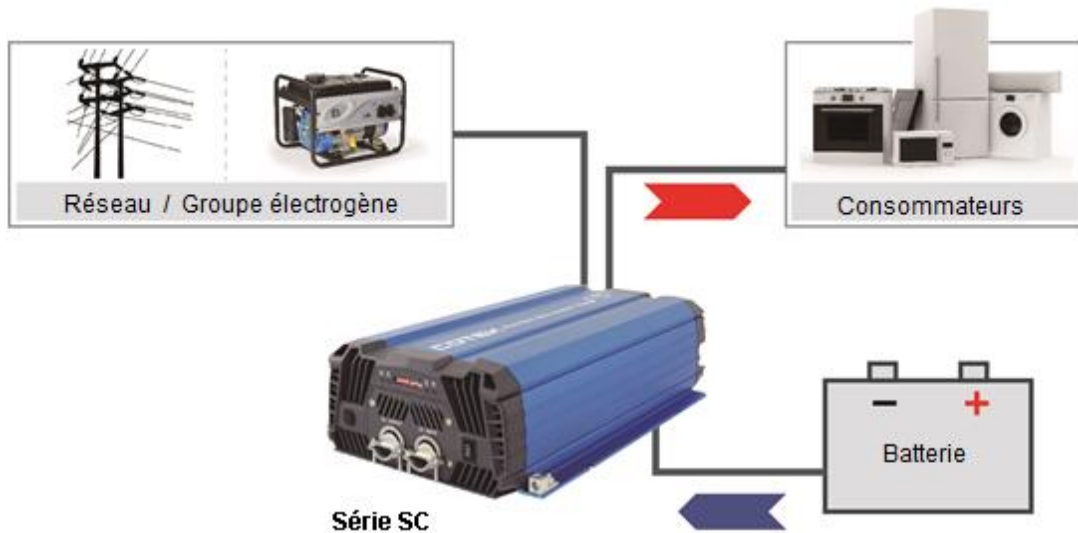


Schéma 13 : mode onduleur

Dès qu'une source CA externe est disponible, le relais commute (voir schéma 14). Les deux sorties, de même que le chargeur sont alimentés par la source CA et les batteries sont automatiquement rechargées.

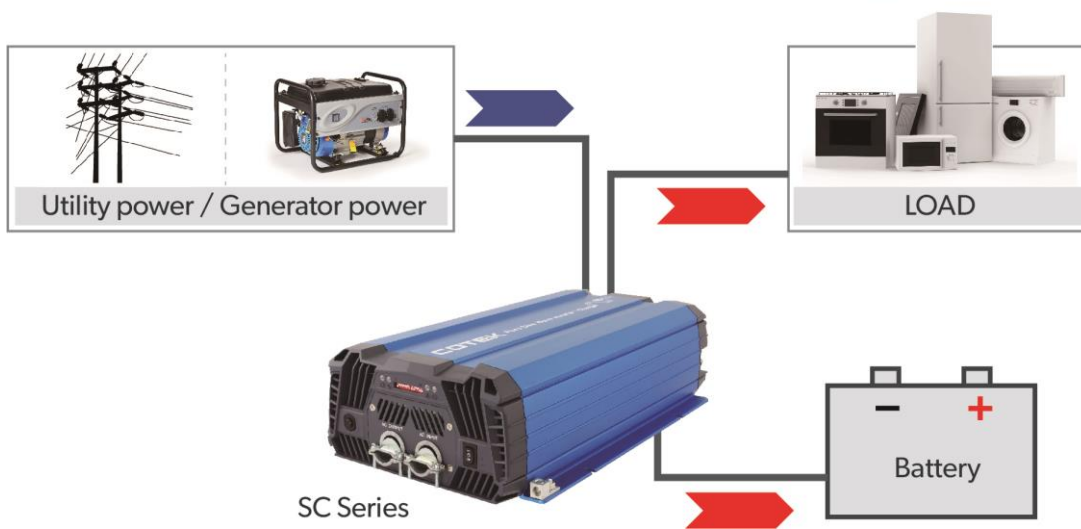


Schéma 14 : mode chargeur

4-2-2. Fonction de répartition (Power Sharing)

Sur le schéma 15 ci-dessous, le seuil de courant d'entrée est paramétré à 30 A et le courant alloué aux consommateurs à 20 A. Cela signifie que seulement $30 - 20 = 10$ A sont disponibles pour recharger la batterie. Ce qui équivaut à un courant de charge max d'environ 100 ACC pour une batterie 12 V et une entrée CA de 120 VCA.

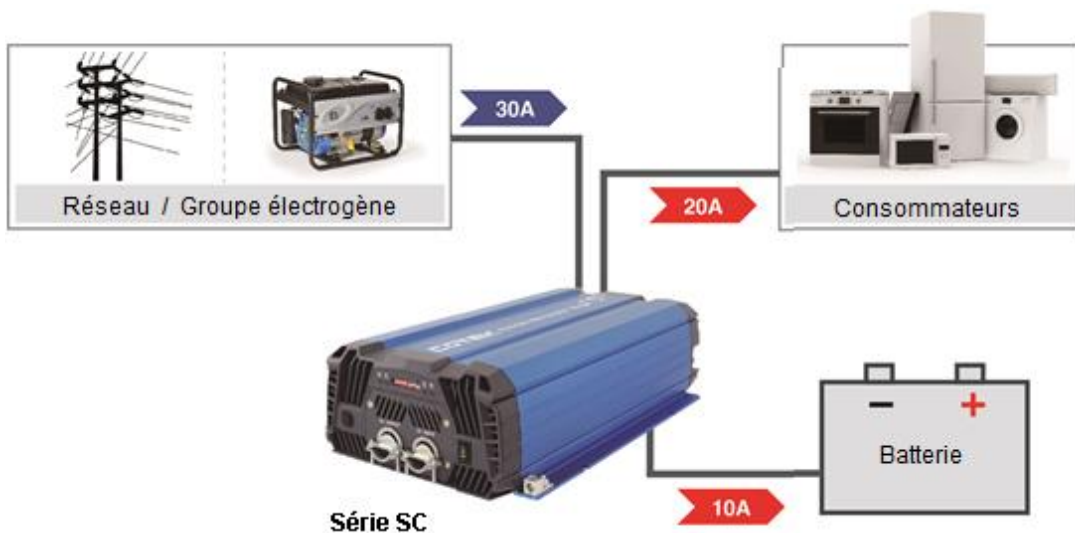


Schéma 15 : fonction de répartition - Exemple I

La fonction de partage ne peut être paramétrée que via la commande déportée.

Si les consommateurs requièrent une puissance égale à celle paramétrée (20 A, comme illustré au schéma 16 ci-dessous), il n'y a plus de ressources pour recharger les batteries (le courant de charge est alors égal à 0A).

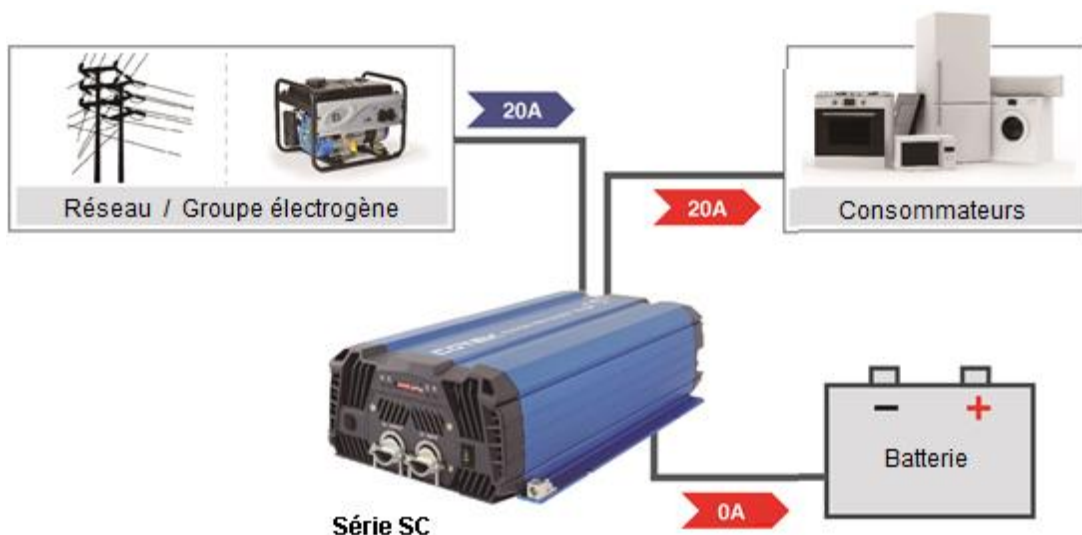


Schéma 16 : fonction de répartition - Exemple II

4-2-3. Fonction de Boost

Si la demande des consommateurs continue d'augmenter, le disjoncteur de la source externe risque d'ouvrir le circuit. Si la demande des consommateurs dépasse le calibre du disjoncteur externe, la fonction de Boost permet de résoudre le problème, en ajoutant le courant de conversion de l'onduleur à celui fourni par le réseau/le groupe électrogène.

Sur le schéma 17 ci-dessous, on voit que le courant en entrée est toujours limité à 20 A. L'onduleur utilise l'énergie stockée par les batteries pour fournir la différence correspondant à la demande des consommateurs : $27 - 20 = 7$ A.

Lorsque la demande redescend sous le seuil paramétré, le chargeur commence à recharger les batteries.

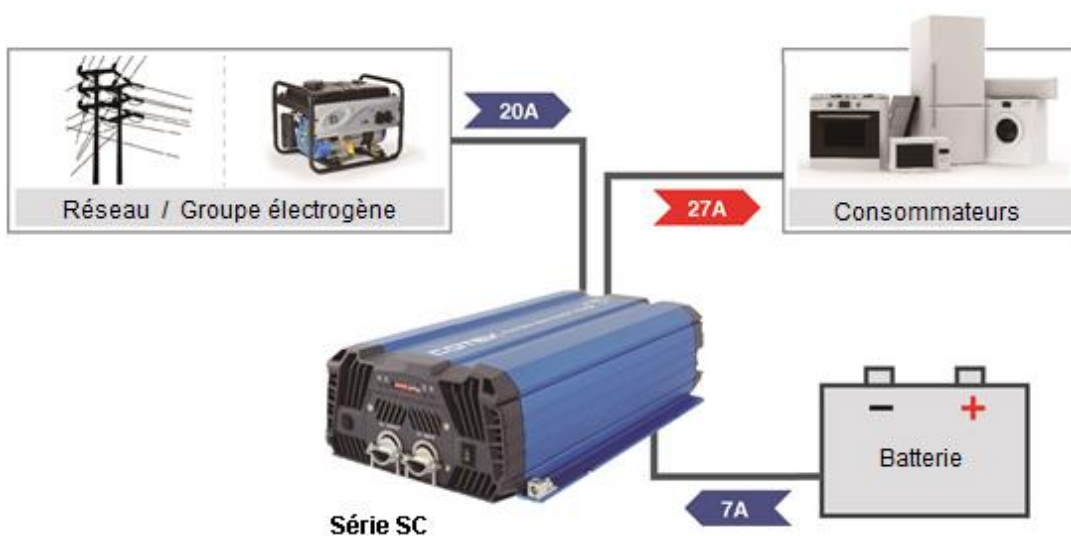
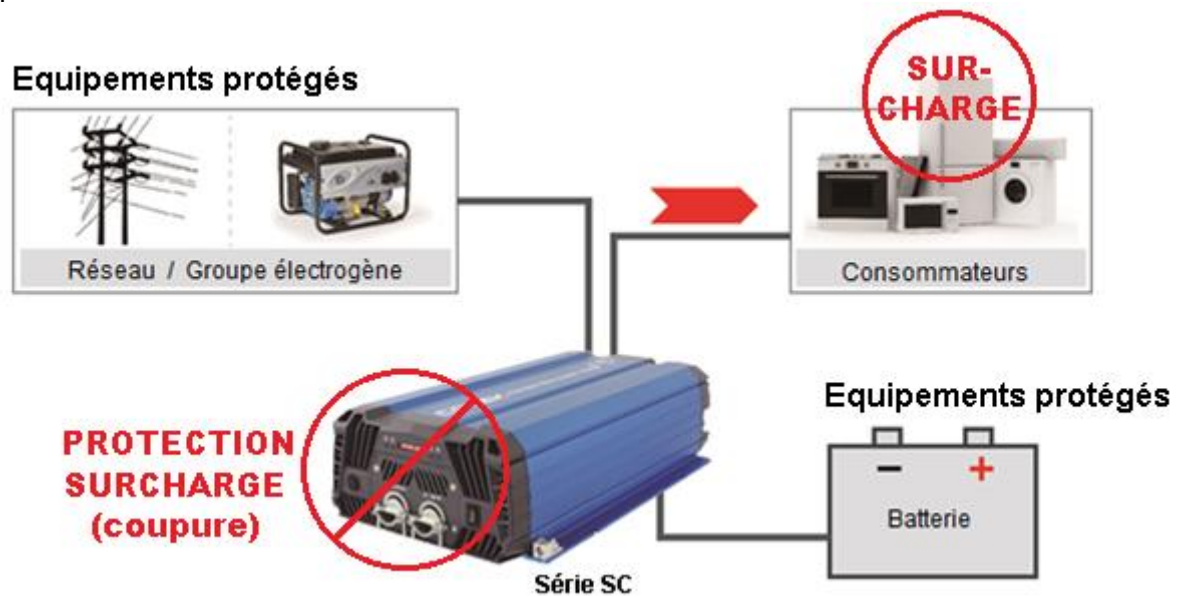


Schéma 17 : fonction de Boost

4-2-4. Fonction de support

Si la demande dépasse la capacité de sortie, l'onduleur-chargeur déclenche la sécurité surcharge 5OLP).



ter le déclenchement du disjoncteur de la source externe.

Schéma 18 : fonction de support



ATTENTION

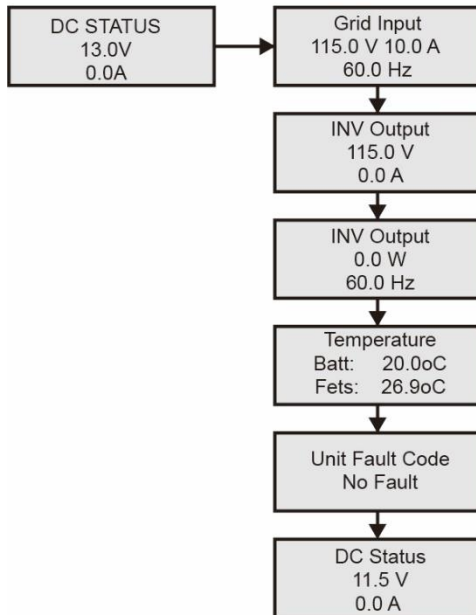
Pour des raisons de sécurité, le relais de transfert s'ouvre automatiquement en cas de défaillance de la source CA. De cette manière il n'y aura jamais de risques liés à une tension haute sur l'entrée du convertisseur lorsqu'il n'est pas en fonction.

5. Arborescence des menus de la commande déportée CR-20C (option)

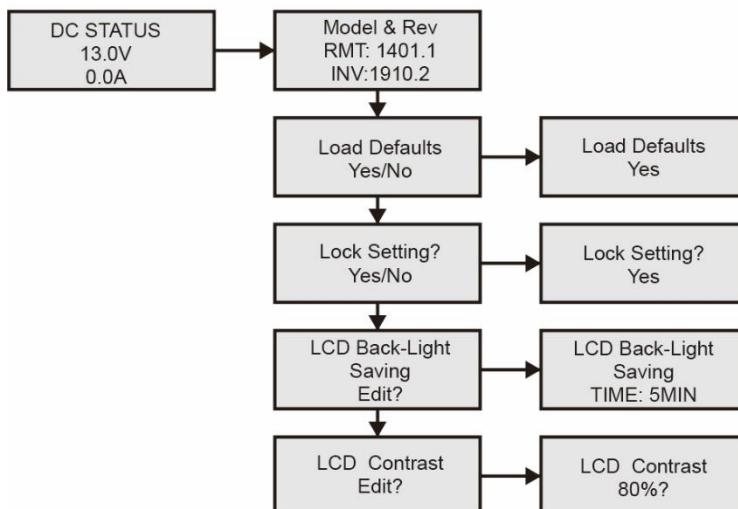
SHORE power (courant max reseau)



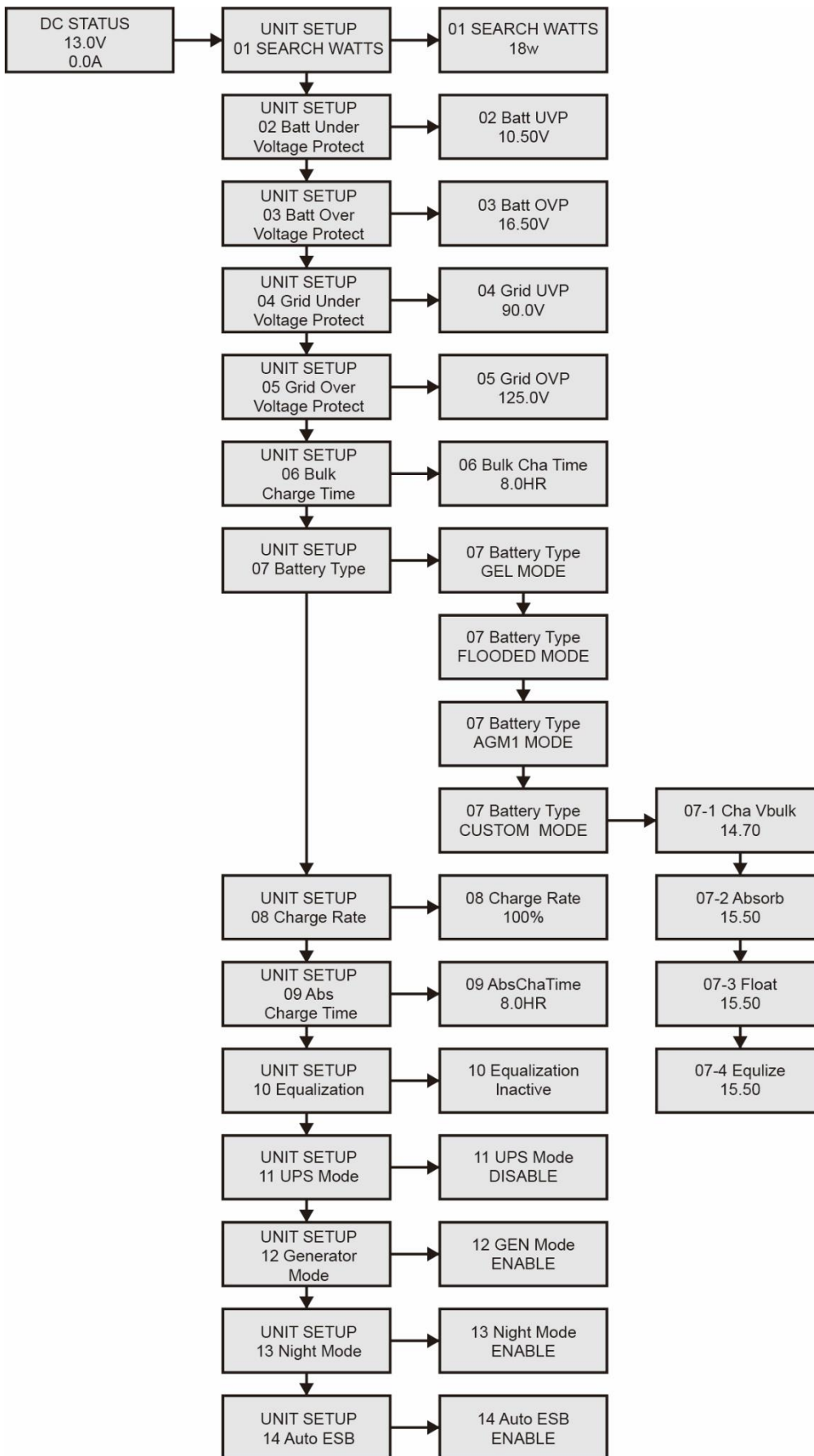
UNIT readings (données onduleur-chargeur)



REMOTE setting (paramétrage commande à distance)



UNIT setup (paramétrage onduleur-chargeur)



Menu	Valeur admissible	Paramètre par défaut
SHORE POW. MAX (Puissance max. réseau)	110V system: 3A~30A 220V system: 2A~16A	110V system: 15A 220V system: 10A
01 Search Watts (puissance de sortie de veille)	110V system: OFF, 1W~20W 220V system: OFF, 1W~40W	110V system: 20W 220V system: 20W
02 Batt Under Voltage Protect (protection tension batterie basse)	12V system: 10.00V~11.50V 24V system: 20.00V~23.00V	12V system: 10.5V 24V system: 21.0V
03 Batt Over Voltage Protect (protection tension batterie haute)	12V system: 15.00V~16.50V 24V system: 30.00V~33.00V	12V system: 16.5V 24V system: 33.0V
04 Grid Under Voltage Protect (protection tension réseau basse)	110V system: 90.0V~110.0V 220V system: 180.0V~220.0V	110V system: 90V 220V system: 180V
05 Grid Over Voltage Protect (protection tension réseau haute)	110V system: 125.0V~132.0V 220V system: 250.0V~264.0V	110V system: 132V 220V system: 264V
06 Bulk Charge Time (durée phase de Bulk)	0.5HR~20.0HR	8.0Hr
07 Battery Type (type de batterie)	GEL, FLOOD, AGM1, CUSTOM	GEL
08 Charge Rate (taux de charge)	25%~100%	100%
09 Abs Charge Time (durée phase d'absorption)	0.5HR~10.0HR	8.0Hr
10 Equalization (égalisation)	ACTIVE, INACTIVE	INACTIVE
11 UPS Mode (mode UPS ou système de secours)	DISABLE, ENABLE (0-30MIN)	DISABLE
12 Generator Mode (mode onduleur)	DISABLE, ENABLE	ENABLE
13 NIGHT Mode (mode nuit)	DISABLE, ENABLE	DISABLE
14 Auto ESB (mode ESB automatique)	DISABLE, ENABLE	DISABLE

Légende :

Types de batterie : GEL (gel), FLOOD (humide), AGM1 (AGM1), CUSTOM (profil utilisateur)

DISABLE : désactiver

ENABLE : activer

6. Recherche de pannes

Couleur	État	Problème	Solution
Green	— — — Flashes lents	Protection température haute (OTP)	<ol style="list-style-type: none"> 1. Améliorer la ventilation. Vérifier que les grilles ne sont pas obstruées. 2. Réduire la température ambiante.
	• • • • • Flashes rapides	Protection température basse (UTP)	<ol style="list-style-type: none"> 1. Augmenter la température ambiante.
Orange	— — — Flashes lents	Tension réseau hors limites admissibles	<ol style="list-style-type: none"> 1. S'assurer que la tension 90Vac ~ 132Vac (110V system) or 180Vac~264Vac (220V system).
	• • • • • Flashes rapides	Courant hors limites admissibles, entrée CA	<ol style="list-style-type: none"> 1. Éteindre les consommateurs et s'assurer qu'il n'y a pas de consommateurs en court-circuit. 2. Vérifier le paramètre courant max entrée CA (Interrupteurs DIP S4,S5,S6). 3. Remettre l'appareil en marche manuellement.
	————— Allumé, fixe	Phase ou fréquence hors limites admissibles, entrée CA	<ol style="list-style-type: none"> 1. Vérifier que la fréquence d'entrée est compatible avec la fréquence de sortie de l'appareil.
Rouge	— — — Flashes lents	Protection tension batterie basse	<ol style="list-style-type: none"> 1. Vérifier la tension d'entrée. Augmenter la tension d'entrée. 2. Vérifier les connexions CC. 3. Recharger la batterie.
	• • • • • Flashes rapides	Protection tension batterie haute	<ol style="list-style-type: none"> 1. Vérifier la tension d'entrée. Réduire la tension d'entrée.
	————— Allumé, fixe	Protection surcharge ou court-circuit	<ol style="list-style-type: none"> 1. Si l'appareil ne reprend pas automatiquement, réduire la charge. 2. Remettre l'appareil en marche manuellement.

Tableau 17 : codes d'erreur de l'onduleur-chargeur

7. Consignes de sécurité pour les applications marine

Consignes basées sur la norme UL 458

Conserver ce manuel à bord, il contient des instructions importantes concernant la sécurité et l'utilisation de l'appareil.

1. ATTENTION – Pour limiter les risques de blessures, n'utiliser l'appareil que pour des batteries rechargeables de type AGM, GEL, Lithium ou plomb-acide. Des batteries d'un autre type pourraient exploser et provoquer des blessures ou des dommages.
2. Ne pas exposer l'appareil à la pluie ou à la neige.
3. L'utilisation d'un système de fixation non recommandé ou non proposé par le fabricant du bateau pourrait entraîner des risques d'incendie, de chocs électriques ou de blessures.
4. Ne pas démonter l'appareil, le remettre à un technicien qualifié si une intervention, entretien ou réparation, est nécessaire. Un réassemblage non correct peut entraîner des risques de chocs électriques voire d'incendies.
5. Pour réduire les risques de chocs électriques, débrancher l'appareil avant toute intervention d'entretien ou de nettoyage. Arrêter les consommateurs ne vous protège pas contre les risques de chocs électriques.
6. ATTENTION – RISQUES D'EXPLOSIONS LIÉS AUX ÉMANATIONS DES BATTERIES PLOMB-ACIDE
 - TRAVAILLER À PROXIMITÉ DE BATTERIES PLOMB-ACIDE PRÉSENTE DES RISQUES. CE TYPE DE BATTERIES PRODUIT DES GAZ EXPLOSIFS. IL EST DONC TRÈS IMPORTANT D'APPLIQUER STRICTEMENT LES PRÉCAUTIONS SUIVANTES AVANT D'EFFECTUER UNE INTERVENTION SUR UN APPAREIL MONTÉ À PROXIMITÉ DE BATTERIES PLOMB-ACIDE.
 - Pour limiter les risques d'explosion des batteries, suivre les instructions fournies dans ce manuel, ainsi que les instructions du fabricant. Prendre connaissance des avertissements présents sur les équipements de même que sur le moteur de propulsion.
7. PRÉCAUTIONS PERSONNELLES
 - Ne jamais intervenir seul. Une autre personne doit être à portée de voix en cas d'urgence.
 - Prévoir une réserve d'eau douce et du savon en cas de contact avec de l'électrolyte (vêtements, peau, yeux).
 - Porter des lunettes de protection ainsi que des vêtements adéquats et éviter de toucher vos yeux durant l'intervention.
 - En cas de contact avec la peau ou les vêtements, laver immédiatement à l'eau savonneuse. En cas de contact avec les yeux, rincer abondamment à l'eau courante froide durant au moins 10 minutes et consulter immédiatement un médecin.
 - Ne JAMAIS fumer, provoquer d'étincelles ni utiliser de flamme à proximité des batteries ou du moteur de propulsion.
 - Prendre particulièrement soin de ne pas laisser tomber d'outils métalliques sur les batteries. Les étincelles ou le court-circuit (batterie ou autres équipements) ainsi provoqué risqueraient d'entraîner une explosion.
 - Ne pas porter d'objets métalliques (bagues, bracelets, montres...) durant les interventions sur les batteries. Celles-ci peuvent générer des courants de court-circuit capables de fondre le métal et d'entraîner de sévères brûlures.
 - Ne JAMAIS recharger une batterie qui a gelé.
 - S'il s'avère nécessaire de démonter la batterie, toujours commencer par débrancher la liaison à la terre sur la batterie et vérifier que tous les équipements embarqués sont arrêtés (sur Off), pour ne pas risquer de créer un arc électrique.
 - L'espace dans lequel est installé la batterie DOIT être correctement ventilé.
 - Nettoyer régulièrement les bornes de la batterie (attention de protéger vos yeux contre les projections).
 - Suivre strictement les préconisations de charge du fabricant de la batterie (tension de charge et le cas échéant, ouverture des bouchons...).
 - Pour les batteries humides, faire particulièrement attention aux préconisations relatives au niveau d'électrolyte et rajouter de l'eau distillée si nécessaire.

8. CHOIX DE L'EMPLACEMENT SUR UN BATEAU
 - Ne pas installer l'appareil à proximité immédiate des batteries. Choisir un compartiment, suffisamment ventilé.
 - Ne pas l'exposer aux émanations gazeuses produites par les batteries.
 - Attention de ne pas provoquer de fuites sur l'appareil lors des relevés d'intensité ou des ajouts d'eau distillée.
 - Ne pas utiliser l'appareil dans un espace confiné et ne pas restreindre la ventilation.
9. PRÉCAUTIONS RELATIVES AUX CONNEXIONS COURANT CONTINU
 - Ne brancher / débrancher les connexions courant continu qu'après avoir pris soin de mettre l'appareil hors tension (interrupteur, coupe-circuit...), de débrancher l'alimentation CA ou d'ouvrir le circuit CA.
10. AUX ÉTATS-UNIS, LES CONNEXIONS ÉLECTRIQUES EXTERNES DOIVENT ÊTRE EFFECTUÉES CONFORMÉMENT AUX RÉGULATIONS DES GARDES CÔTES AMÉRICAINS (33CFR183, SUB PART I).
11. INSTRUCTIONS DE LIAISON À LA TERRE
 - L'appareil doit être relié à la terre conformément aux normes locales en vigueur.

8. Garantie

Ce produit est garanti contre les défauts de matériaux et de main d'œuvre pour une durée de 24 mois à compter de la date d'achat. Il sera soit réparé soit remplacé s'il nous est retourné en port payé.

Cette garantie est considérée comme nulle en cas de modification ou d'utilisation non conforme de l'appareil. Les dommages par accidents ne sont pas non plus pris en compte par la garantie. COTEK ne saurait être tenu responsable en cas de problème, de quelque nature soit-il, occasionné par une faute de l'utilisateur.

COTEK
