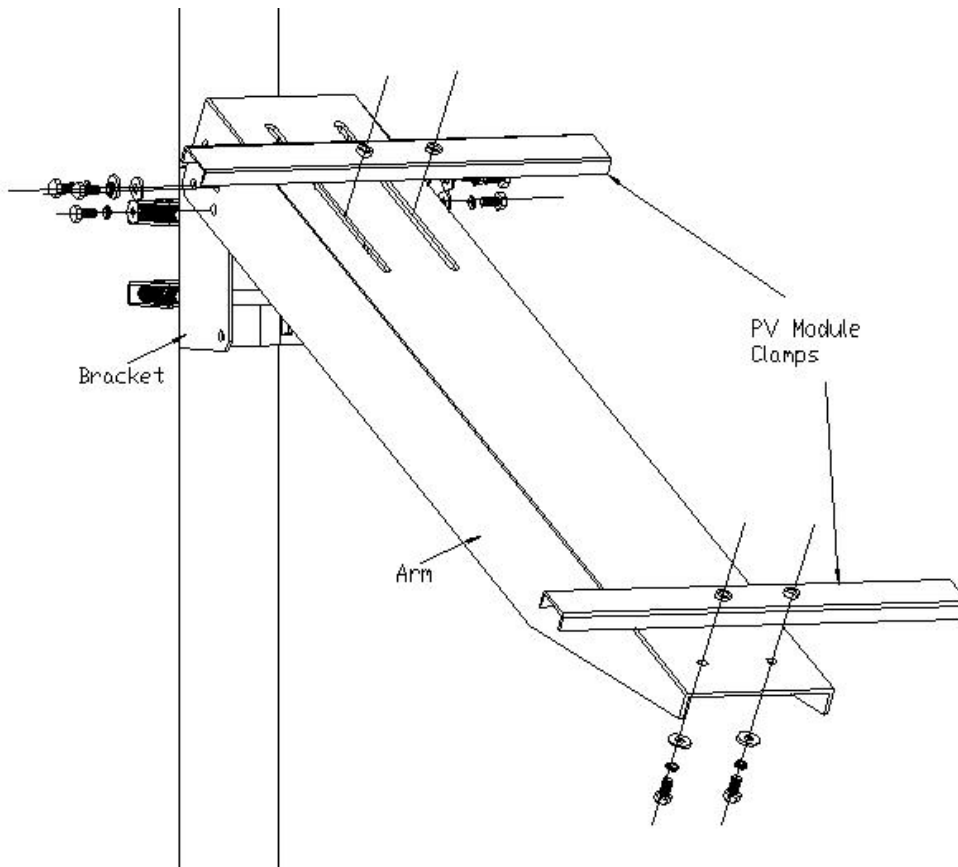


Solartech Power Universal Side-of-Pole Mount Installation Guide



This mount will support the following models:

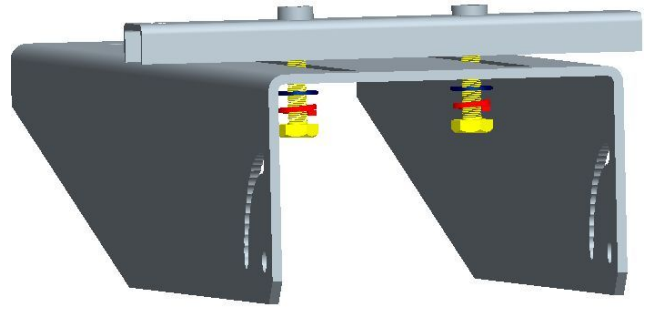
SPM060P-N/F, SPM065P-N/F, SPM080P/085P-TS/100TS, STP080P/85P-TSS, SPM085P-MF

Component List		
Part	Qty	ID code
Bracket	1	1
Arm	1	2
PV Module Clamps	2	3
U 型卡板	2	4
M8 U-Clamp for 2.5" pol	2	
M8 带尼龙 hex nut for U-bolt	4	
M6 *25 hex-cap bolt for Bracket	6	
M6 flat washer for Bracket	6	
M6 split lock washer for Bracket	6	
M6 *25 hex-cap bolt for Clamps	4	
M6 flat washer for Clamps	4	
M6 split lock washer for Clamps	4	

Step 1 - mounting the arm to the PV module

Insert a bolt, washer and PV module clamp through one of the slots.

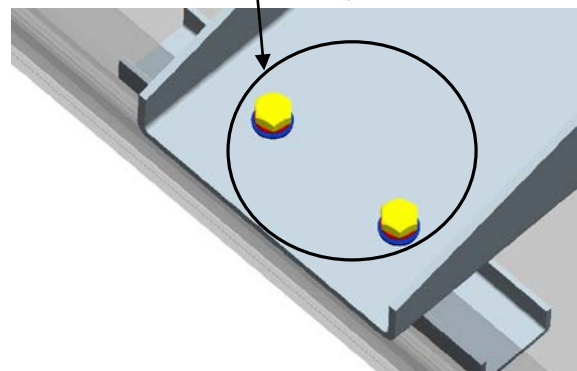
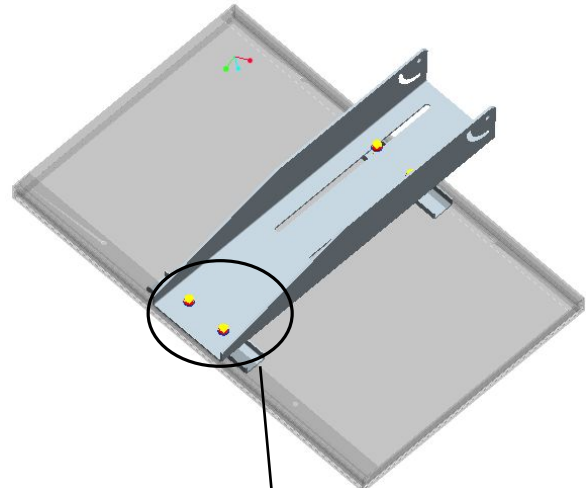
Place a washer, lock washer and hex nut on the end of the bolt, and tighten loosely.



Lay the PV Module face-down on a protected flat surface.

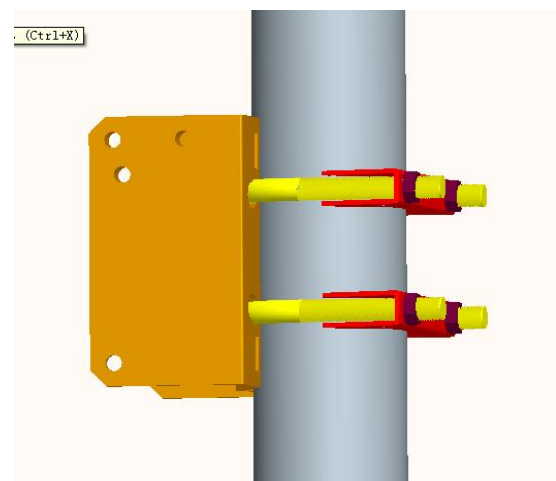
Center the arm on the back of the panel as shown and position the clamps under the edges of the module's flange.

Make sure that the clamp bolts are resting against the module's flange before tightening



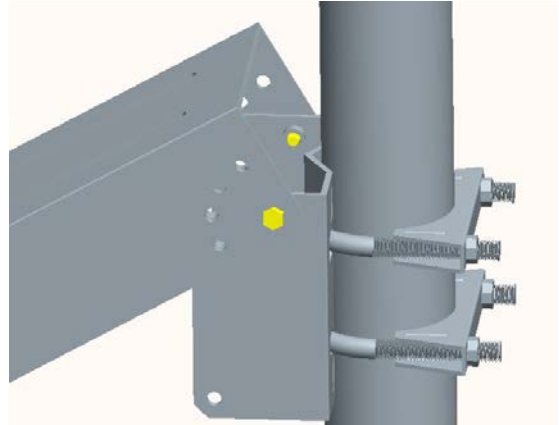
Step 2 - attaching the bracket to the pole

Adjust the backing bracket to desired height and then attached the U-clamp on the pole as shown in picture.

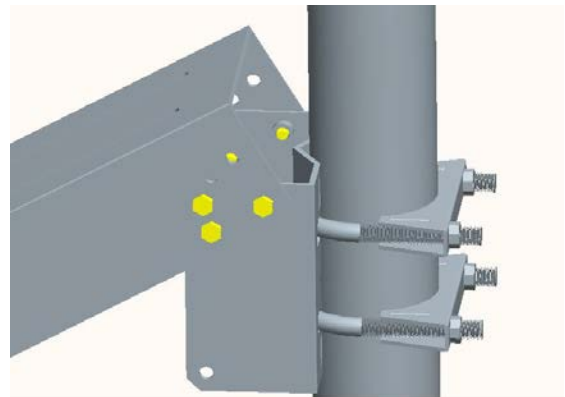


Step 3 - attaching the panel/arm assembly to the bracket

Insert the pivot bolt and flat washer first this will enable you to adjust the angle.



Adjust the arm piece to desired angle and insert the bolt from outside and insert the washer from inside and tighten the bolt. Make sure you have two sets on each side installed.



Adjust the tilt of the panel as desired, and tighten the bolts

