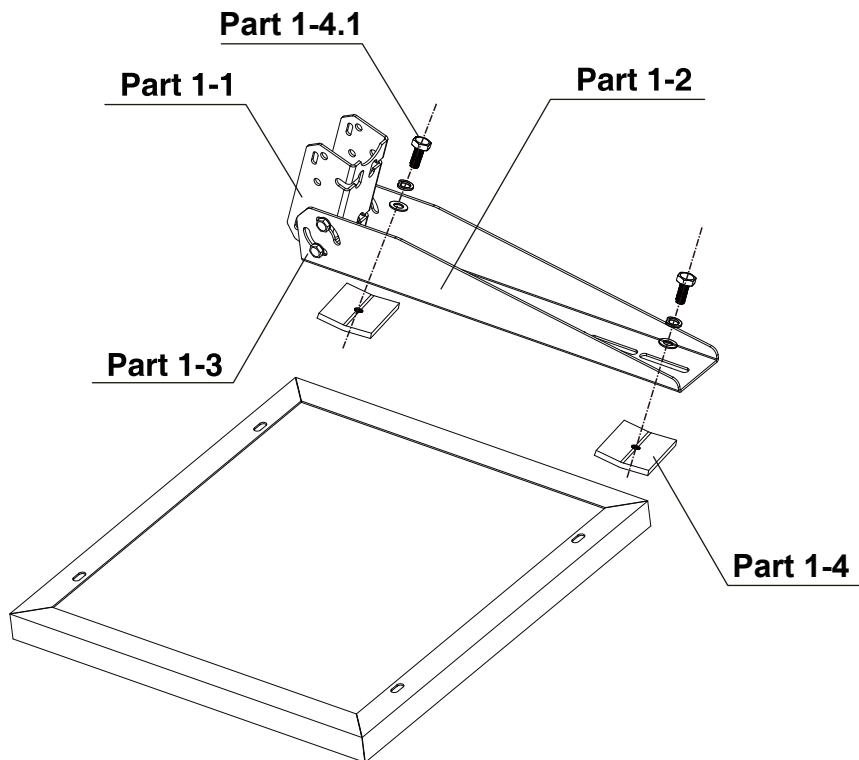


The Solarland® SLB-0122 mounting kit has been specifically design for use with the Solarland® SLP Series 10W – 25W panels. This mount is a fixed, flat or pole mount design giving a tilt angle range of 0° - 90°

Components And Parts



Step1. Attach the PV module to the mounting bracket using the clamps, bolts, washers and lock washers provided. We suggest you lubricate all nuts and bolts to facilitate easy removal at a later date.

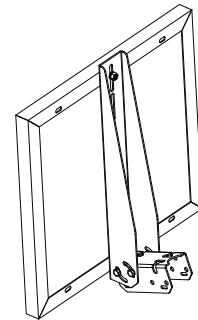


figure 1

Step2. For pole mounting, use U bolts or steel clamps to fix the PV module and mount assembly to the pole. See figure 1. The U-Bolts and/or steel clamps are not included in the kit.

CAUTION: Additional mounting holes may be required if using this mount with a panel other than the Solarland SLP series. Great care should be taken when drilling additional holes as damage to the panel can easily occur, rending it useless

Step3.To adjust the tilt angle of the PV panel, change the location of M8 bolts in the arc hole of the tilt arms. Remember to use lock washers to prevent vibration from working them loose.

Step4. For pole mounting, use hose clamps(not included) to fix the PV module and mount assembly securely to the pole. See figure 2. The U-Bolts, Steel Clamps and Molly Bolts are not included in the kit

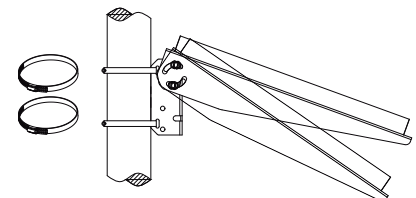


figure 2

Note:

For vertical wall mounting, drill holes on the mounting place to be installed according to size of the fixed bracket. Embed two M8 molly bolts into the mounting surface. See figure 3. Use washers and, lock washers and nuts to secure the PV module and mount assembly to the wall surface.

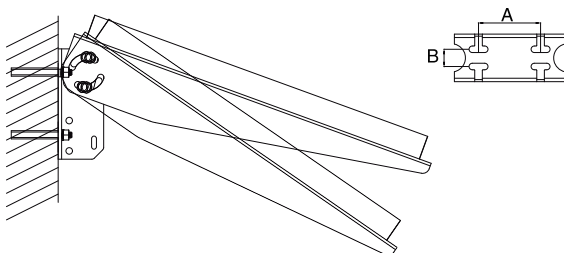


figure 3