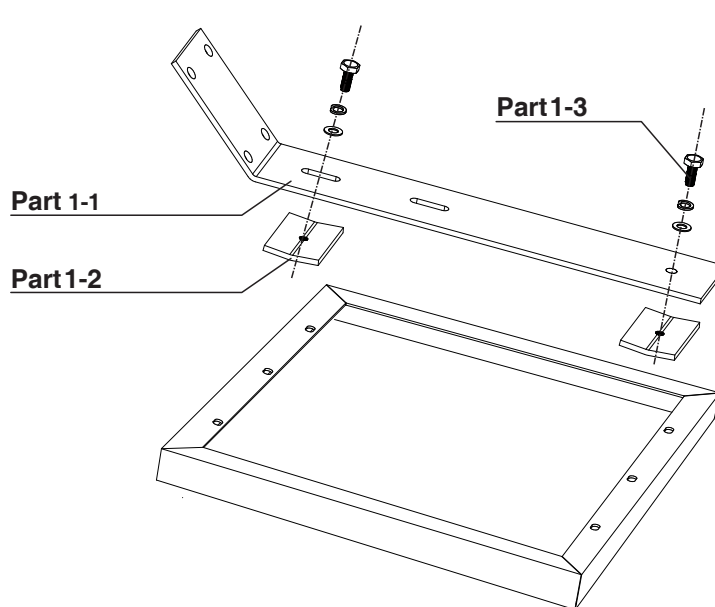
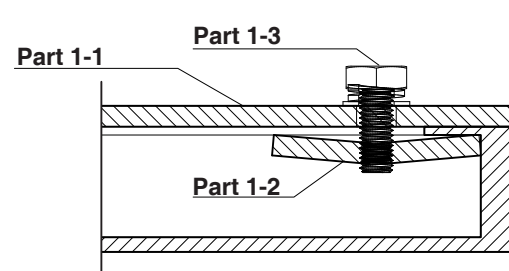


The Solarland® SLB-0120 mounting kit has been specifically design for use with the Solarland® SLP Series 5W – 25W panels. This mount is a fixed.

Components And Parts

Part

Part 1-1	
Component	Fixed Bracket
Material	5052Al
Quantity	1

Part 1-2	
Component	Clamp
Material	5052Al
Quantity	2

Part 1-3	
Component	Module Bolt(M6)
Material	AISI304
Quantity	2

Step1.

Attach the PV module to the mounting bracket using the clamps, bolts, washers and lock washers provided. We suggest you lubricate all nuts and bolts to facilitate easy removal at a later date.

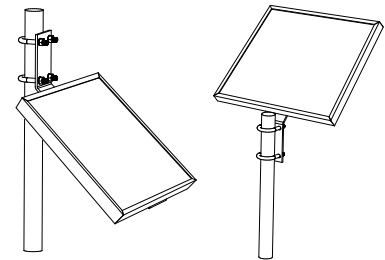


figure 1

Step2.

For pole mounting, use U bolts or steel clamps to fix the PV module and mount assembly to the pole. See figure 1. The U-Bolts and/or steel clamps are not included in the kit.

Note:

For vertical wall mounting, drill holes on the mounting place to be installed according to size of the fixed bracket. Embed four molly bolts into the mounting surface. See figure 2.

Use washers and, lock washers and nuts to secure the PV module and mount assembly to the wall surface.

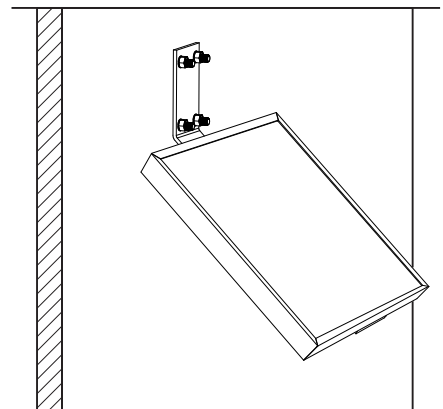


figure 2