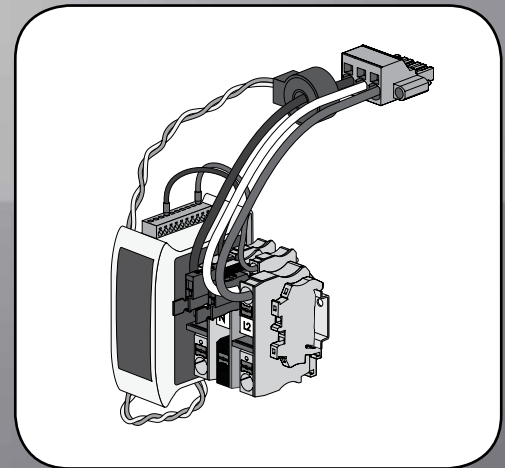


# SMA REVENUE GRADE METER KIT

RGM05KIT-US-10



## Accurate and versatile

- ANSI C12.20 revenue grade energy production monitoring provides a high level of accuracy
- Measures active, reactive and apparent power as well as grid voltage and frequency

## Perfect alignment

- Designed for integration with Power+ Solution
- Ultra-compact DIN rail mounted meter kit mounts inside the Sunny Boy inverter

## Plug-and-play

- Prewired and preassembled kit reduces installation time
- Quick and easy setup

## SMA REVENUE GRADE METER KIT

Simple integration with extreme accuracy

SMA Revenue Grade Meter Kit is a revenue-grade energy meter designed for monitoring Sunny Boy inverter production with a 0.5% degree of accuracy. Its compact size and plug-and-play design allow it to be easily and quickly installed inside the Sunny Boy inverter. It collects a wide array of energy data which is either stored locally in the inverter or uploaded to the Sunny Portal allowing both system installers and owners to efficiently manage solar assets. It is designed to operate in unison with either the SMA Cellular LTE Modem Kit or the SMA RS485 Module.

Technical data	Revenue Grade Meter Kit RGM05KIT-US-10
<b>General data</b>	
Compatible inverter models	SMA SBx.x-1SP-US-40
Compatible inverter firmware	2.04.74.R or later
ANSI C12.20 measurement accuracy	0.5%
Operating voltage range	120 - 277 V AC
AC frequency range	45 - 65 Hz
Rated CT current	50 A
Measurement category	Category III - 300 V AC
Grids supported, single phase 2-wire	208 V WYE, 208 V Delta (no neutral), 240 V Split phase, 240 V Delta (no neutral)
Power consumption (typ.)	<2 VA
Dimensions (HxWxD)	100 x 100 x 85 mm / (3.94 x 3.94 x 3.35 in)
Weight	0.4 kg (0.88 lb)
Temperature range (operating)	-25 °C to +60 °C (-13 °F to +140 °F)
Temperature range (standby)	-40 °C to +60 °C (-40 °F to +140 °F)
Relative humidity (non-condensing)	5 to 95%
Protection rating	NEMA 1 (IP40)
Mounting type	DIN rail (included in kit)
Warranty	5 years
Supported communication interfaces	Modbus RTU (SunSpec Certified)
<b>Compliance</b>	
Safety	IEC 61010-2-030:2010 (1st Edition), UL Std 61010.1:2012 (3rd Edition), Rev. July 15, 2015,
EMC	CAN/CSA C22.2 # 61010.1 (3rd Edition), Rev. July 15, 2015
Emissions	IEC 61326-1 (2012) Ed2, IEC 61000-3-2, IEC 61000-3-3, IEC 61000-4-2,
Revenue metering	IEC 61000-4-3, IEC 61000-4-4, IEC 61000-4-5, IEC 61000-4-6, IEC 61000-4-8, IEC 61000-4-11
Communications	FCC Part 15 Class B / CISPR 11 Group1 Class B
Other	ANSI C12.20, Class 0.5
Meter type	SunSpec Alliance certified
Required accessories	RoHS Compliant
CELLMODKIT-US-10 or MD.485-US-40	Measurllogic DTS 307
	Purchase separately
Type designation	RGM05KIT-US-10