



samlexsolar®

Solar Panel Kit
SSP-100-KIT
SSP-150-KIT
SSP-200-KIT

**Owner's
Manual**

Please read this
manual **BEFORE**
operating
your kit

OWNER'S MANUAL | Index

SECTION 1	
General Safety	3
SECTION 2	
Description & Components	4
SECTION 3	
Connector System for Connecting Solar Panels	6
SECTION 4	
Installation Overview	10
SECTION 5	
Tools & Materials Required for Installation	11
SECTION 6	
Charge Controller Installation	11
SECTION 7	
Solar Panel Installation	12
SECTION 8	
Wiring	14
SECTION 9	
Typical Battery Connections	17
SECTION 10	
Routine Maintenance	19
SECTION 11	
Warranty	20

Disclaimer of Liability

UNLESS SPECIFICALLY AGREED TO IN WRITING, SAMLEX AMERICA INC.:

1. MAKES NO WARRANTY AS TO THE ACCURACY, SUFFICIENCY OR SUITABILITY OF ANY TECHNICAL OR OTHER INFORMATION PROVIDED IN ITS MANUALS OR OTHER DOCUMENTATION.
2. ASSUMES NO RESPONSIBILITY OR LIABILITY FOR LOSSES, DAMAGES, COSTS OR EXPENSES, WHETHER SPECIAL, DIRECT, INDIRECT, CONSEQUENTIAL OR INCIDENTAL, WHICH MIGHT ARISE OUT OF THE USE OF SUCH INFORMATION. THE USE OF ANY SUCH INFORMATION WILL BE ENTIRELY AT THE USERS RISK.

Samlex America reserves the right to revise this document and to periodically make changes to the content hereof without obligation or organization of such revisions or changes.

Copyright Notice/Notice of Copyright

Copyright © 2021 by Samlex America Inc. All rights reserved. Permission to copy, distribute and/or modify this document is prohibited without express written permission by Samlex America Inc.

SECTION 1 | General Safety



Warnings

Please read the Owner's Manual carefully before attempting to carry out any installation and wiring. Contact your RV dealer or Technical support at Samlex America (1-800-561-5885) for any questions concerning the installation.

Installation and Wiring Compliance

Installation and wiring must comply with the local and National Electrical Codes and must be done by a certified electrician.

1. Disconnect all power sources before carrying out the installation.
2. Make sure correct polarity is observed when making connections between the solar panel, Charge Controller and the battery. Damage due to reverse polarity connection is not covered by warranty.
3. Make sure all wire connections are secure as loose connections may cause sparks.
4. Wear appropriate clothing and safety gear including protective eyewear when performing any electrical installation.

Preventing Fire and Explosion Hazards

Working with electronic/electrical equipment may produce arcs or sparks. Thus, such equipment should not be used in areas where there are inflammable materials or gases requiring ignition protected equipment. These areas may include spaces containing gasoline powered machinery, fuel tanks, battery compartments, etc.

Precautions When Working With Batteries:

- Batteries contain very corrosive diluted Sulphuric Acid as electrolyte. Precautions should be taken to prevent contact with skin, eyes or clothing.
- Batteries generate Hydrogen and Oxygen during charging resulting in evolution of explosive gas mixture. Care should be taken to ventilate the battery area and follow the battery manufacturer's recommendations.
- Never smoke or allow a spark or flame near the batteries.
- Use caution to reduce the risk of dropping a metal tool on the battery. It could spark or short circuit the battery terminals or other electrical parts and could cause an explosion.
- Remove metal items like rings, bracelets and watches when working with batteries. Batteries can produce a short circuit current high enough to weld a ring or the like to metal and thus, cause a severe burn.
- If you need to remove a battery, always remove the Ground Negative terminal from the battery first. When connecting the battery, connect the Ground last. Make sure that all the accessories are off so that you do not cause a spark.
- Use properly insulated tools when making battery connections.

Precautions When Working With Solar Panels

With the incidence of sunlight or other light sources on solar panels, a voltage appears at the output terminals of the solar panel turning it into a source of electricity. To avoid a shock hazard, make sure the solar panel is covered with an opaque (dark) material such as paper/cloth during installation. Do not make contact with the terminals when the panel is exposed to sunlight or any other light sources.

SECTION 2 | Description & Components

Solar Panel Kits SSP-100-KIT, SSP-150-KIT and SSP-200-KIT provide clean, green, silent and sustainable source of solar-based DC power to charge 12V Lead Acid batteries. Each kit comes with the following:

- High efficiency solar panel with MC-4 Connectors
- Connecting Wires with mating MC-4 Connectors
- Mounting Brackets
- Installation Hardware

Details of Solar Panel

Design Features

- High Conversion Efficiency generates more energy per square meter
- Protective Bypass Diodes avoid effects of partial shading
- Weatherproof Junction Box and Connectors, Optical Low Iron Tempered Glass, EVA Resin and Aluminum Frame for operation in outdoor, wet and marine applications
- Highest manufacturing standards - Test ID for each panel
- Strong frame withstands high wind force

Applications

- Residential Roof-top Systems
- Commercial / Industrial Building Roof-top Systems
- Rural area applications
- Other on-grid and off-grid applications
- Automotive, RV and Marine

Parameter	100W Panel with SSP-100-KIT	150W Panel with SSP-150-KIT	200W Panel with SSP-200-KIT
Nominal Maximum Power at STC, Pmax	100W ± 3%	150 W ± 3%	200 W ± 3%
Maximum Power Voltage, Vmp	17.8V	18.38V	20.52V
Maximum Power Current, Imp	5.62A	8.16A	9.74A
Open Circuit Voltage, Voc	21.3V	22.68V	22.58V
Short Circuit Current, Isc	6.07A	8.82A	9.97A
Module Efficiency	15.97%	15.42%	19.61%
Type of Cells	Monocrystalline	Polycrystalline	Monocrystalline
No of Cells	36	36	36
Maximum System Voltage	UL-1703: 600VDC; IEC-61215 / 16730: 1000VDC		1500V
Series Fuse Rating	10A	15A	15A
Terminal Box	IP-65 with 2 Bypass Diodes; Cable 4mm ² with MC4 Compatible Connectors		
Operating Temperature	– 40°C to 85°C / – 40°F to 185°F		
Dimensions	552 x 1200 x 35 mm / 21.73 x 47.25 x 1.39 in	660 x 1474 x 35.2mm / 26 x 58.03 x 1.39 in	680 x 1500 x 35 mm / 26.77 x 59.05 x 1.37 in
Weight	8 Kg; 17.63 lb.	12 Kg; 26.4 lb.	12 Kg; 26.4 lb.
STC	Irradiance Level: 1000 W/M ² ; Spectrum: AM 1.5 Cell Temperature: 25°C / 77°F		
Temperature Coefficient of Current, Isc	+ 0.05% / °C	+ 0.08% / °C	+ 0.065% / °C
Temperature Coefficient of Voltage, Voc	– 0.33% / °C	– 0.34% / °C	– 0.35% / °C
Temperature Coefficient of Power, Pmax	–0.23% / °C	–0.43% / °C	–0.5% / °C

SECTION 2 | Description & Components

Details of components included in the Kits are given below:

Serial No	Description	100W KIT SSP-100-KIT	150W KIT SSP-150-KIT	200W KIT SSP-200-KIT
1	100W Solar Panel	1	0	0
2	150W Solar Panel	0	1	0
3	200W Solar Panel	0	0	1
4	Solar Panel Connecting Wires Kit Model SCW-20-2 consisting of:			
4-1	Positive (+) PV Extension Wire: • 20 ft. length, AWG #12 • Male MC-4 Connector on one end and bare on the other	1	1	1
4-2	Negative (-) PV Extension Wire: • 20 ft. length, AWG #12 • Female MC-4 Connector on one end and bare on the other	1	1	1
5	5-Hole Mounting Bracket for fixing Panel to RV Roof / other structure	4	4	4
6	Flange Bolt (1/4-20 x 3/4"): Hex, Stainless Steel - For fixing panel frame to Mounting Bracket (Srl. 5)	4	4	4
7	Flat Washer (1/4"): Stainless Steel - Under Flange Bolts (Srls. 6 and 10)	8	8	8
8	Locknut (1/4"): Hex, Stainless Steel, Nylon Insert - For Flange Bolt (Srl. 6)	4	4	4
9	Well Nut (Nut size: 1/4-20; Length 1"; Shank Dia 1/2") - For fixing Mounting Bracket (Srl. 5) to RV roof / other structure	4	4	4
10	Flange Bolt (1/4-20 x 1 1/4 ") : Hex, Stainless Steel - For fixing Mounting Bracket (Srl. 5) to Well Nut (Srl. 9)	4	4	4
11	Cable Clamp - For PV Extension Wires (Srls. 4-1 & 4-2)	6	6	6
12	Self Tapping Screw (#8), Phillips - For Cable Clamp (Srl. 11)	6	6	6
13	Cable Tie for PV Extension Wires (Srls. 4-1 & 4-2)	6	6	6
14	Insulated Battery Ring Terminal, Stud Size 5/16", Wire Size AWG #10 to #12	2	2	2
15	Insulated Battery Ring Terminal; Stud Size 5/16"; Wire Size #8 AWG	0	0	2
16	Insulated Charge Controller Spade Terminal, Stud Size #8; Wire Size #8 AWG	0	0	2
17	Owner's Manual for the Kit	1	1	1

SECTION 3 | Connector System for Connecting Solar Panels

The Positive and Negative outputs of the solar panel are fed through a water tight Junction Box. Appropriate size of wires are connected to the Junction Box for further connections. The solar panels supplied with these kits are provided with approximately 3 ft. each of Positive & Negative wires that are pre-connected to the Junction Box. The free ends of the wires are terminated with special mating type of connectors for ease of extending these wires for further connections. The special mating type of connectors used for the 3 ft. wires provided with the solar panels and also for the separate extension wires are as follows:

- "SolarLine - MC4" Series manufactured by Multi Contact or compatible

General Information on MC4 Connector System

MC4 Connector System consists of male and female connectors. This type of connector system is easy to install and uses "snap-in" type of safety locking clips to lock the two mating connectors, thereby, avoiding unintentional disconnection. Also, the mating contacts are sealed against ingress of dust and water.

Specifications are as follows:

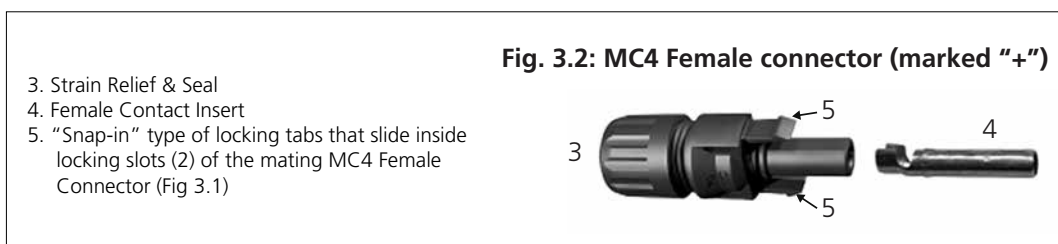
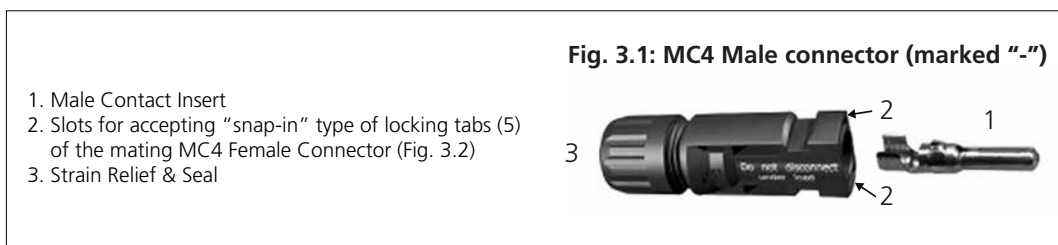
- Contact diameter \varnothing 4 mm
- Maximum rated current - 30A
- Maximum system voltage - 1000 V
- Degree of ingress protection when connected and properly locked - IP67
- Temperature range -40°C to 90°C

MC4 Connectors (Figs 3.1, 3.2)

The MC4 Connectors mentioned in this manual have been designated "Male" and "Female" based on the characteristics of the mating contact inserts inside the terminals.

In the MC4 Male Connector (Fig. 3.1), the internal mating contact insert (1, Fig. 3.1) is a male pin. It has two slots (2 of Fig. 3.1) for insertion of the two "snap-in" type of locking tabs (5 of Fig. 3.2) of the MC4 Female Connector (Fig. 3.2) for firm mating connection. This connector is marked "-".

In MC4 Female Connector (Fig. 3.2), the internal mating contact insert (4 of Fig. 3.2) is a female cylindrical socket. It has two "snap-in" type of locking tabs (5 of Fig. 3.2) that are inserted into the two slots (2 of Fig. 3.2) in the MC4 Male Connector (Fig. 3.1) for firm mating connection. Wire is crimped to the contact inserts (1 and 4 of Fig. 3.2) using a special purpose crimping tool designed for MC4 connectors. After the wire has been crimped, the contact insert is required to be seated securely inside the housing and the strain relief / seal (3 of Fig. 3.1 & 3.2) is to be tightened fully to provide a water-tight seal.



SECTION 3 | Connector System for Connecting Solar Panels

Output Wires and Connections on the Solar Panel

Fig. 3.3 shows the output wires and connections on the solar panel. The output wires from the junction box of the solar panel are terminated with the help of MC4 connectors. The Positive (+) wire is terminated with a MC4 Female Connector (marked "+") and the Negative wire is terminated with a MC4 Male Connector (marked "-").



Warning!

When the surface of the solar panel / array is exposed to sunlight, a DC voltage appears at the output terminals turning it into a live voltage source. For example, a 24 V nominal solar panel may put out an open circuit voltage of around 45 VDC that may produce electrical shock. Multiple solar panels connected in series (to increase the output voltage) will put out higher lethal voltages. To avoid any electrical shock hazard during installation, make sure that the solar panel / array is covered with an opaque (dark) material to block solar irradiation.

Extending to the Output Wires of the Solar Panel (Fig. 3.3)

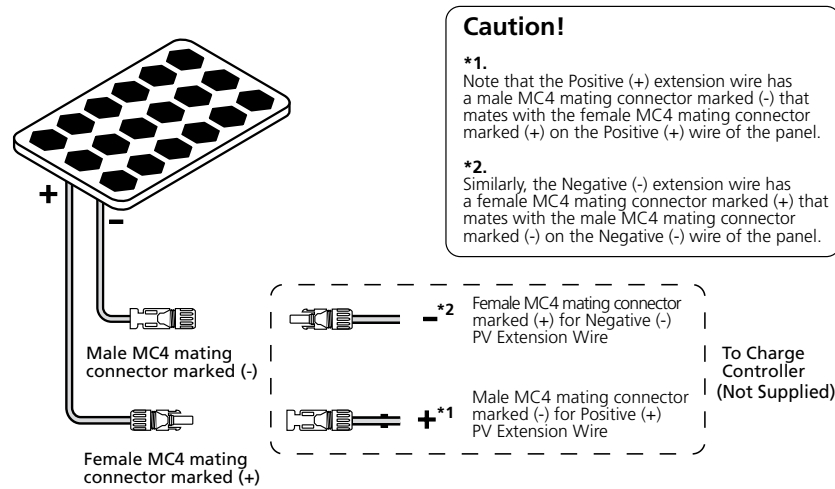


Fig 3.3. Connecting extension wires to the output wires of solar panel

1. The Positive (+) wire of the solar panel is terminated with a MC4 Female Connector (marked +). Connect this to the MC4 Male Connector (marked -) that is attached to the Positive PV Extension Wire. Make sure that the locking tabs "snap in" for a firm connection. *The bare end of the Positive extension Wire will now be of Positive polarity. Use a piece of red sleeve or red tape near the bare end for identification as the Positive (+) wire.*
2. The Negative (-) wire of the solar panel is terminated with a MC4 Male Connector (marked -). Connect this to the MC4 Female Connector (marked +) that is attached to the Negative extension wire. Make sure that the locking tabs "snap in" for a firm connection. The bare end of the Negative PV Extension Wire will now be of Negative polarity.
3. Connect the two PV Extension Wires to the Charge Controller (not supplied).



Warning!

Ensure that the polarity (+ or -) of the wires is identified correctly before connecting to the Charge Controller. Damage due to wrong polarity may not be covered under warranty.

SECTION 3 | Connector System for Connecting Solar Panels

Connecting Second Adjacent Solar Panel in Parallel (Fig. 3.4)

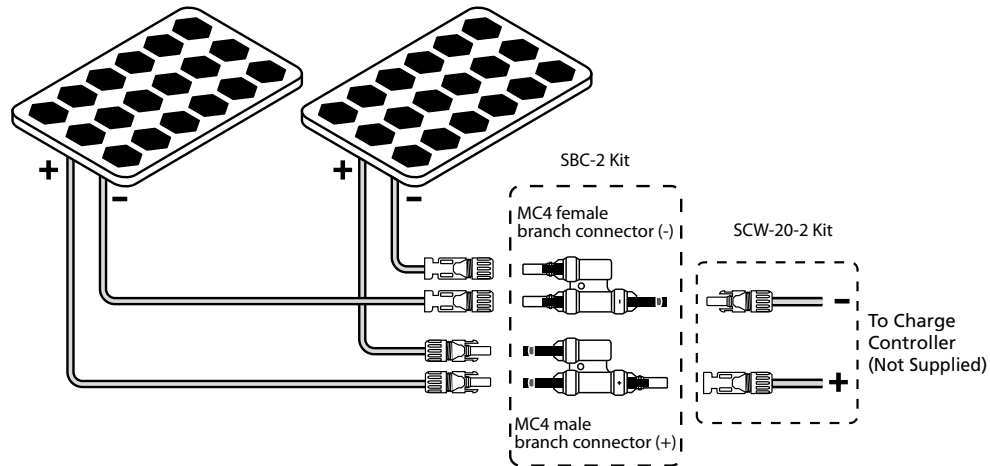


Fig. 3.4. Connecting two adjacent solar panels in parallel

A second solar panel can be connected in parallel with the panel provided in the kit to increase the current output at the same output voltage. Fig. 3.4 above shows the arrangement for connecting the second solar panel in parallel using the Solar Panel Connecting Wire Kit Model SCW-20-2 supplied with this kit, and MC4 Branch Connector Kit (SBC-2), sold separately. This arrangement is applicable if the two solar panels are to be connected in parallel and are mounted adjacent to each other.

The output wires of the two solar panels are first connected in parallel using the MC4 Male and Female Branch Connectors. The outputs of the Branch Connectors are then connected to the SCW-20-2 wires for connecting to the Charge Controller (not supplied).

Connecting Second Solar Panel in Parallel When Separated by a Distance (Fig. 3.5)

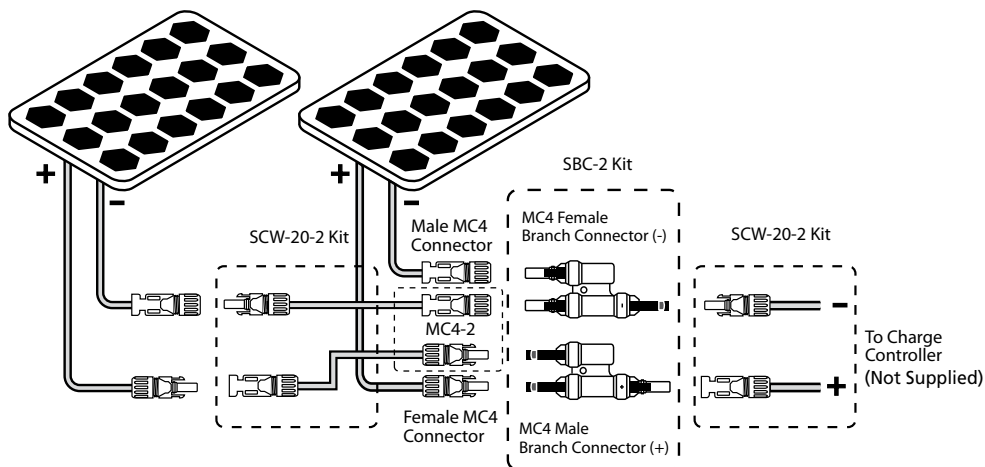


Fig. 3.5. Connecting two solar panels in parallel that are separated by an extended distance

SECTION 3 | Connector System for Connecting Solar Panels

Fig.3.5 shows an arrangement for connecting second solar panel in parallel that is separated by an extended distance. In this case, the following will be required:

- SCW-20-2 Connecting Wires Kit - 2 sets (one set is provided with this kit. Second set has to be ordered separately)
- One MC4 Male Branch Connector and one MC4 Female Branch Connector sold separately as an optional kit – Model No. "SBC-2" Kit
- One MC4 Male Connector and one MC4 Female Connector sold separately as an optional kit – Model No. "MC4-2"

In this case, one Connecting Wire Kit "SWC-20-2" and the optional MC-4 Connectors Kit "MC4-2" are first used to bridge the extended distance between the panels. The optional Branch Connector "SBC-2" Kit is used to parallel the two solar panels. The second Connecting Wire Kit "SWC-20-2" is used to connect to the Charge Controller (not supplied).

SECTION 4 | Installation Overview



Warning!
Please read Section 1: General Safety before starting installation.

Block Diagram of Typical RV Installation (Fig 4.1)

NOTE: Solar Charge Controller and battery shown in Fig. 4.1 are shown as part of a typical 12V Solar Charging System installation. The Charge Controller and battery are not supplied as part of the kit.

1. Read the manual in detail and understand the installation procedure.
2. Open the packaging and check to make sure that all parts have been received as per the List of Components (Table 2.2).
3. Arrange for the required tools to carry out the installation. A sample list of tools (not exhaustive) is provided in Section 5.
4. Determine the mounting location of the solar panel(s) on the roof of the RV.
5. Mount the Charge Controller at the desired location (see Section 6).
6. Pass the cable from the solar panels to the interior of the RV (See Section 7).
7. Wire the battery to the Charge Controller through fuse and then the solar panel to the Charge Controller ensuring correct polarity is observed (See Section 7).
8. Secure the solar panel to the RV roof (See Section 7).

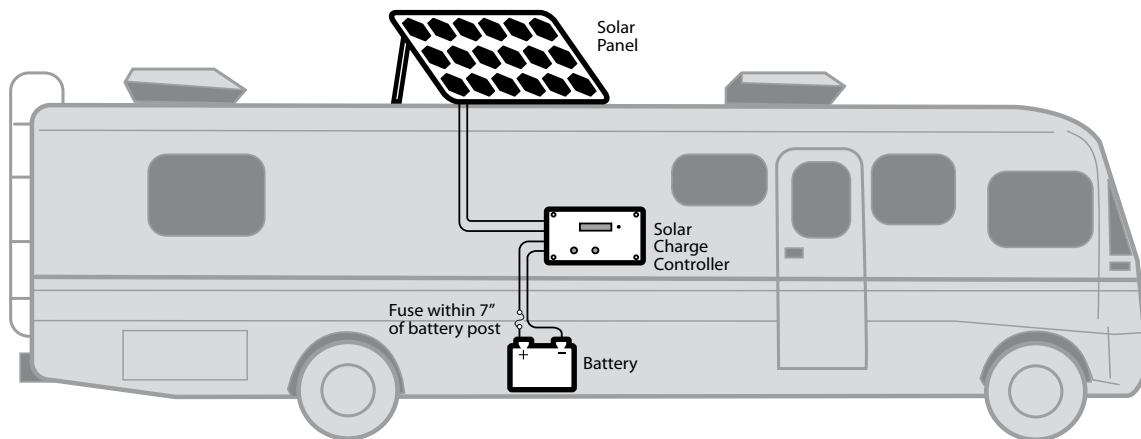


Fig. 4.1. Installation Block Diagram

SECTION 5 | Tools & Materials Required for Installation

Required Tools

1. Philips drive screw driver
2. 7/16" wrench
3. 3/8" wrench
4. Wire Stripper
5. Wire Crimping Tool
6. Hand Drill
7. 1/2" drill bit
8. Jig-saw or suitable cutting tool
9. Pliers
10. Punch or Awl

Required Materials

1. Silicone or any suitable roof sealant. Contact your local RV dealer or RV store for a recommendation on a sealant to suit your specific RV roof material.
2. Anti-galling lubricant to prevent "thread galling" of all stainless steel fasteners exposed to outdoor environment. This should be available at most hardware or auto-parts stores. If anti-galling lubricant is not available, any standard lubricant will minimize the occurrence of "thread galling".
3. If wiring distances are longer than 20 ft. length of wire provided with the kit, extra stranded copper wire will be required. Wires should be 12 AWG or thicker, single conductor, Type UF (Underground Feeder - marked as sunlight resistant), Type SE (Service Entrance) or Type USE/USE-2 (Underground Service Entrance). Alternatively, the following may be ordered for additional 20 ft. extension:
 - Solar Panel Connecting Wires Kit "SCW-20-2"
 - Solar Panel Multi Contact Connectors "MC4-2"

SECTION 6 | Charge Controller Installation

The output from the panel is fed to the selected Solar Charge Controller (not supplied with this kit). Please refer to Installation Instructions provided with the selected Solar Charge Controller.

SECTION 7 | Solar Panel Installation

1. Stainless steel can be subject to a process called “thread galling” in which bolts can twist off and/or the bolt threads seize to the nut’s thread. Apply Anti-galling Lubricant available at most hardware or auto-parts stores to all the stainless steel fasteners before installation. If anti-galling lubricant is not available, any standard lubricant will minimize the occurrence of “thread galling”.
2. Fix the mounting brackets (Fig. 7.2) to the frame of the previously positioned solar panel using the slotted opening and the 1/4”-20 x 3/4” Flange Bolt, Nylon Locknut and flat washer (Fig. 7.1).
3. Using a 7/16” wrench, tighten the nuts to secure the mounting brackets to the PV panel. Recommended tightening torque is 15 lbs.
4. Position the panel with the attached mounting brackets at the desired location on the RV roof and mark the position of the desired mounting hole using a suitable marker by tracing the hole on the mounting bracket. Please ensure that the mounting surface on the RV roof is strong enough to support the mounting hardware, solar panel and wind loads.
5. The centre and end holes on the mounting brackets (Fig. 7.2) are sized to accept the 1/4” hardware supplied with the unit. If the use of larger sized hardware is desired, 3/8” holes can be used.

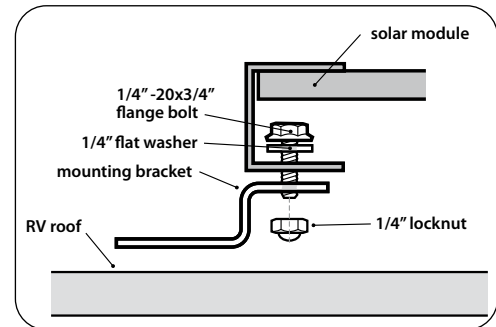


Fig. 7.1. Attaching solar panel to 5-hole mounting bracket.

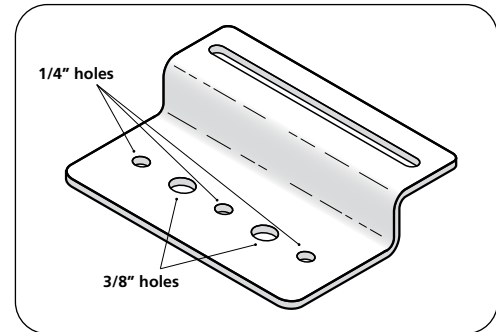


Fig. 7.2. 5-Hole Mounting Bracket.

Well Nut for anchoring Solar Panel to RV Roof

6. A Well-Nut is a bushing of tough Neoprene rubber with a flange at the top end and a captive brass nut mounted within the bore at the bottom end (Fig. 7.3). Tightening a conventional machine bolt or screw engages the captive nut thereby causing the bushing to expand outwards. This fastens securely to thinner RV roofs by bulging up and against the bottom surface of the roof (Fig. 7.6). If used in a blind hole in a solid surface material, the rubber will expand outwards to create a secure fastening (Fig. 7.7). The Neoprene and brass resist most environmental conditions.

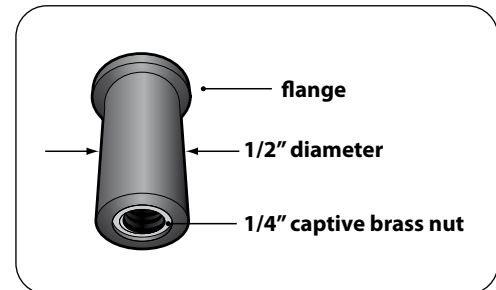


Fig. 7.3. Construction of a Well Nut

SECTION 7 | Solar Panel Installation

Typical Installation of a Well-Nut

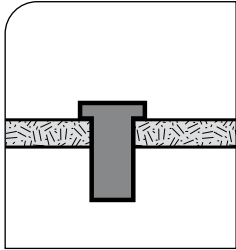


Fig. 7.4. Well-Nut is inserted into a pre-drilled hole with its flange against the outer surface. There is no need for access to the inner side.

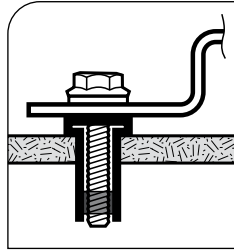


Fig. 7.5. The 5-hole mounting bracket is placed against the flange of the Well-Nut and is secured by the bolt engaging the captive brass nut.

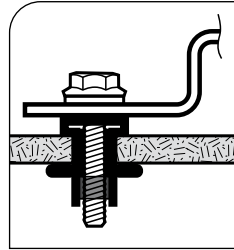


Fig. 7.6 . As the bolt is tightened, the neoprene body of the Well-Nut is compressed and expanded, forcing it tightly into the bolt's threads and against the inner surface of the thin RV roof material.

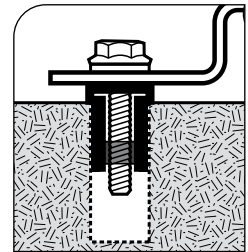


Fig. 7.7. Installed in a blind hole in a solid material, the body of the Well-Nut expands tightly against the walls of the hole, effecting a secure, dependable fastening.

7. To install the Well-Nuts, drill holes 1¼" deep at the marked positions using a ½" size drill bit. Make sure that drilling does not interfere with pre-existing wiring installations.
8. Apply silicone or any appropriate sealant recommended by your RV dealer generously to the drilled holes for water-proofing.
9. Insert the ¼" Well-Nut into the drilled holes so that only the flange section remains above the roof surface (Fig. 7.4).
10. Fasten the mounting brackets to the roof surface by inserting the ¼ x 1¼" serrated flange bolt into the Well-Nut (Fig. 7.5). Tighten using a 3/8" wrench to a recommended torque of 15 lbs. When the serrated flange bolt is screwed into the Well-Nut, the material surrounding the well nut bulges slightly securing the structure to the RV roof (Fig. 7.6 & 7.8).
11. Make sure all bolts and mounting brackets are covered by good amounts of suitable RV sealant recommended by your local RV dealer.

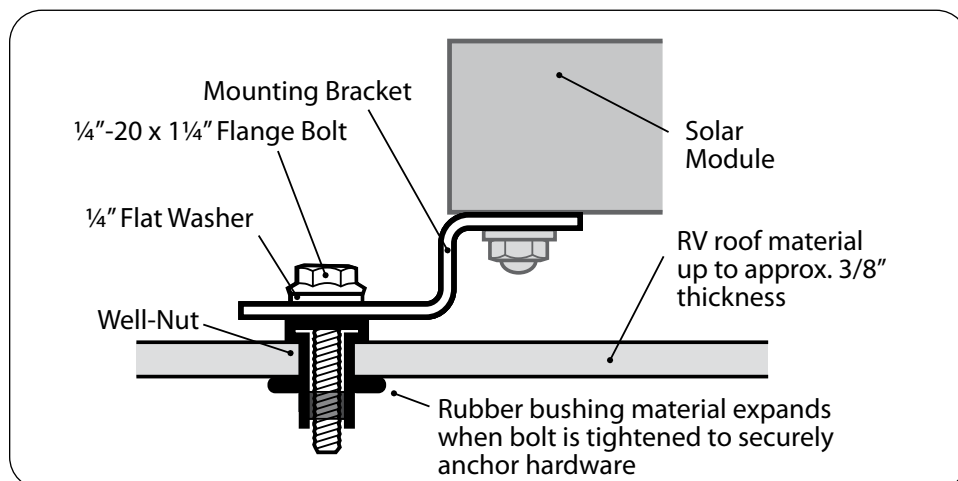


Fig. 7.8 Attaching 5-hole mounting bracket to RV Roof

SECTION 8 | Wiring

Typical wiring using a single 200W/150W/100W panel to charge 12V battery is shown in Fig. 8.1.



Caution!

1. The battery must be wired to the Charge Controller before the solar panel is connected to the Charge Controller.
2. Use appropriate size of fuse in battery Positive Cable to protect against fire hazard due to short circuit in the battery cables.

A pair of 20 foot, AWG#12, pre-assembled cables with Multi-Contact (MC4) Male and Female Connectors is provided to connect the solar panel to the charge controller. Refer to wiring layout at Fig. 8.1 below. The charge controller should be located as close to the battery as possible to limit voltage drop.

Wiring from Battery to Charge Controller

- Use AWG#12 for up to 6 ft. and AWG#10 for up to 10 ft. to limit voltage drop to 3% at maximum 10A.
- Use AWG#8 for up to 6 ft at a maximum current of 30A and 10 ft at 15A.
- Mark the cables to differentiate between Positive and Negative.
- Make sure the Positive terminal (marked '+') of the battery is connected to the Positive terminal (marked "BAT +") of the Charge Controller and the Negative terminal (marked '-') of the battery is connected to the Negative terminal (marked "BAT -") of the Charge Controller (Fig. 8.1). If you are not sure, use a DC voltmeter to determine the polarity of the battery bank. **Reverse polarity connection may damage the Charge Controller and the resulting damage will not be covered by warranty.**
- 2 pieces of Ring Terminals (Fig 8.2) have been provided for crimping on the wire ends on the battery side.
- Use Inline ATC style Fuse Holder on the battery end of the Positive cable (Fig 8.1; NOT SUPPLIED).

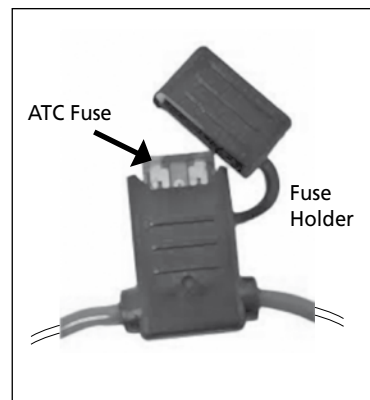
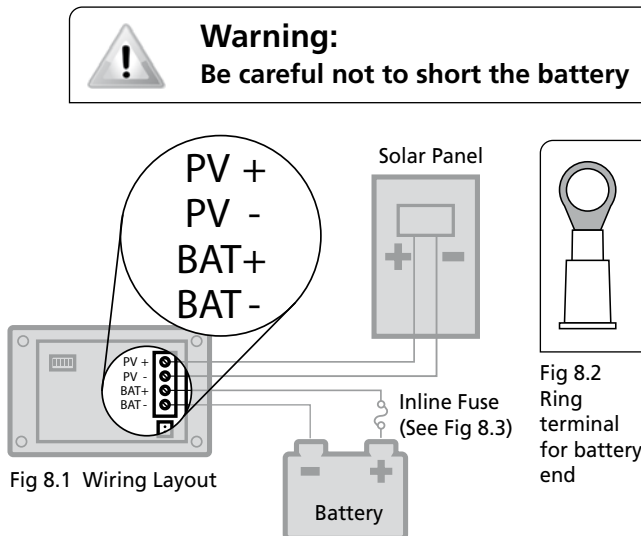


Fig 8.3
Inline ATC Fuse Holder (Not Supplied)
10A Fuse shown for 100W Panel Kit

Use inline, ATC Type Fuse with ATC Fuse Holder (Fig. 8.3) as close to the battery as possible.

SECTION 8 | Wiring

Wiring From Solar Panel to Charge Controller

1. Determine the position of the solar panel on the RV roof. While positioning panels, avoid shading of the solar panel by neighbouring obstacles such as vents, air-conditioners, TV antennas etc. As far as possible, position the panels to minimize wiring distance between the solar panel and the Charge Controller. Place the panel at least 8-10 inches away from the RV roof edges and leave sufficient space to walk around the panel and access the mounting hardware.
2. Make sure the thickness of the roof at the installation location is at least ½" thick and the material is strong enough to provide mechanical support to the solar panel and mounting hardware against possible wind loading. Place the panel length-wise to reduce the effects of wind loading on the RV.

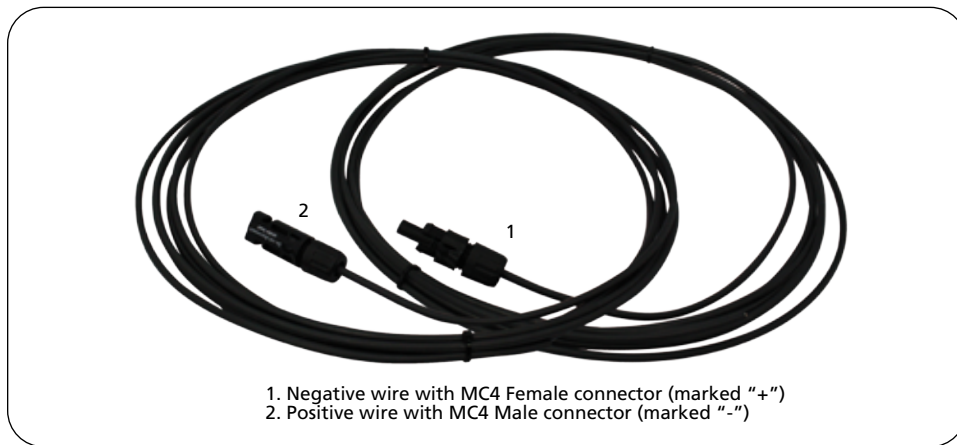


Fig. 8.4. Solar Panel Connecting Wires kit "SCW-20-2"

3. Solar Panel Connecting Wires kit "SCW-20-2" consisting of 2 pre-assembled, 20 ft, AWG #12, Positive (+) & Negative (-) PV extension wires have been provided (see Fig. 8.4). The wires have MC4 mating connectors on one end for connecting to the solar panel & bare ends on the other side for connecting to the Charge Controller. The wires are marked (+) & and (-) for identification of the polarity.
4. Please read Section 3 on connecting PV Extension Wires to the panels.

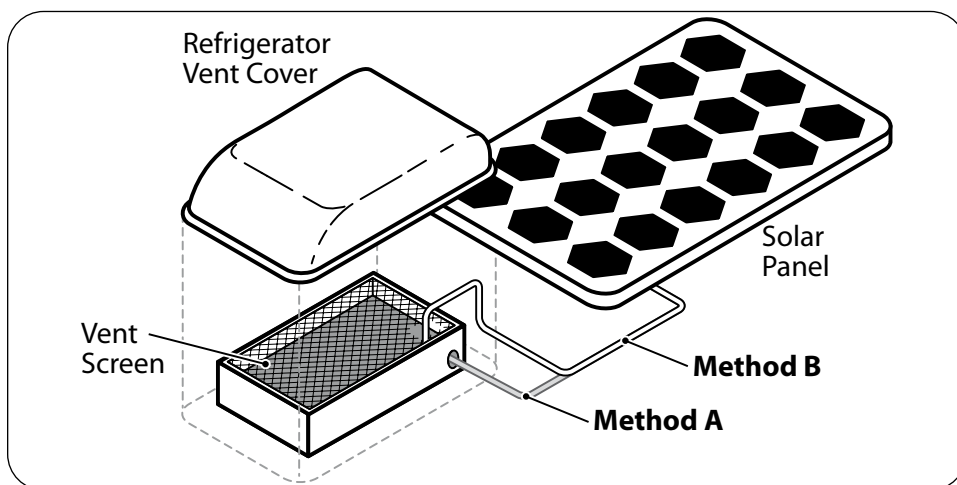


Fig. 8.5 PV Wire Entry Through RV Vent

SECTION 8 | Wiring

5. The wire pair from the solar panel can be routed to the interior of the RV through the roof-top refrigerator vent. Find where the refrigerator vent is located on the roof of the RV. See Fig. 8.5.
6. Select a suitable mounting location for the solar panel, preferably as close to the vent as possible. The mounting surface should be strong enough to support the mounting hardware, the solar panel and wind loads.
7. Take off the vent cover to gain access to the duct opening and keep the vent fastening hardware safely as the vent cover will have to be replaced after the wires have been routed.
8. The wires from the solar panel can be routed by either of the two following methods:
 - A. **Hole in the side of the vent:** Drill a suitable hole in the side of the vent and insert a rubber grommet (not provided). Route the wire pair carefully to the Charge Controller through the hole. Use appropriate sealant as recommended by your local RV dealer to ensure the penetration at the side of the vent is watertight.
 - B. **Through the vent screen:** Route the wire pair through the vent screen grid holes. Widen the screen grid holes if necessary.
9. Use the cable clamps with #8 self-tapping screws and tie wraps at regular intervals of the wire route from the solar panel to the Charge Controller to hold the cables in place for a neat finish. Tuck any excess wire under the refrigerator vent cover.



Warning:
Avoid sharp, heated or abrasive material on the cable route.

10. Replace the refrigerator vent cover and secure with the retained hardware.
11. Crimp the bare end of the wires with the fork terminals provided (Fig 8.3).
12. Insert the terminals into the appropriate terminal on the Charge Controller (Fig 8.1): Positive PV lead is connected to the Positive terminal (marked "PV +") of the Charge Controller and the Negative PV lead is connected to the Negative terminal (marked "PV -") of the Charge Controller. ***Reverse polarity connection may damage the Charge Controller and the resulting damage will not be covered by warranty.***

SECTION 9 | Typical Battery Connections

Series Connection of Batteries

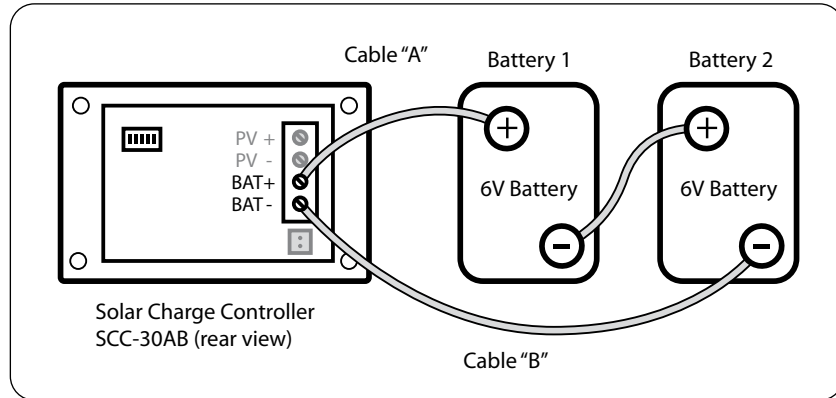


Fig. 9.1: Series Connection

When two or more batteries are connected in series, their voltages add up but their Ah capacity remains the same. Fig. 9.1 above shows 2 pieces of 6V, 200 Ah batteries connected in series to form a battery bank of 12V with a capacity of 200 Ah. The Positive terminal of Battery 1 becomes the Positive terminal of the 12V bank. The Negative terminal of Battery 1 is connected to the Positive terminal of Battery 2. The Negative terminal of Battery 2 becomes the Negative terminal of the 12V battery bank.

Parallel Connection of Batteries

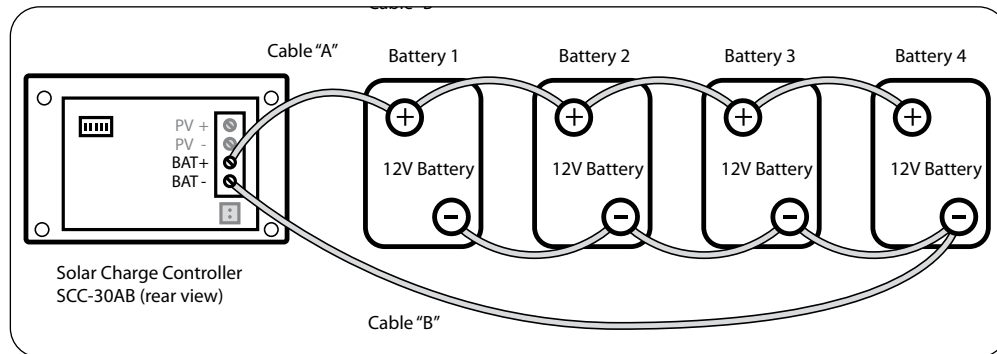


Fig. 9.2: Parallel Connection

When two or more batteries are connected in parallel, their voltage remains the same but their Ah capacities add up. Fig. 9.2 shows 4 pieces of 12V, 100 Ah batteries connected in parallel to form a battery bank of 12V with a capacity of 400 Ah. The four Positive terminals of Batteries 1 to 4 are paralleled (connected together) and this common Positive connection becomes the Positive terminal of the 12V bank. Similarly, the four Negative terminals of Batteries 1 to 4 are paralleled (connected together) and this common Negative connection becomes the Negative terminal of the 12V battery bank.

SECTION 9 | Typical Battery Connections

Series – Parallel Connection of Batteries

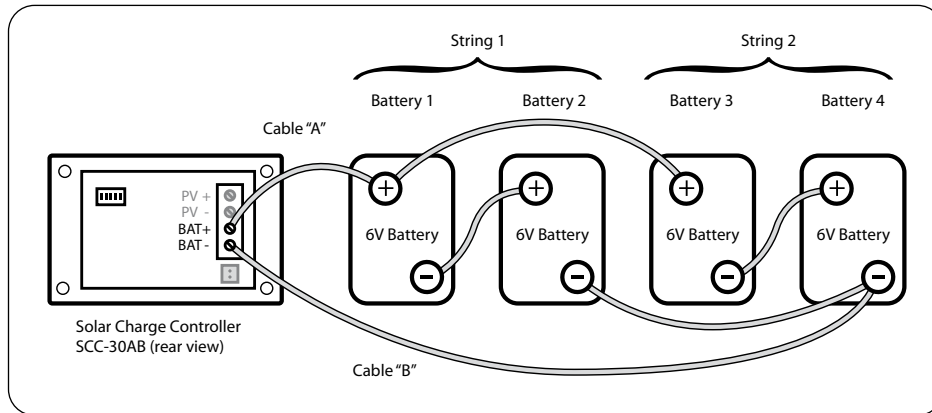


Fig. 9.3: Series-Parallel Connection

Figure 9.3 above shows a series – parallel connection consisting of four 6 V, 200 Ah batteries to form a 12 V, 400 Ah battery bank. Two 6 V, 200 Ah batteries, Batteries 1 and 2 are connected in series to form a 12 V, 200 Ah battery (String 1). Similarly, two 6 V, 200 Ah batteries, Batteries 3 and 4 are connected in series to form a 12 V, 200 Ah battery (String 2). These two 12 V, 200 Ah Strings 1 and 2 are connected in parallel to form a 12 V, 400 Ah bank.



CAUTION!

When 2 or more batteries / battery strings are connected in parallel and are then connected to the Solar Charge Controller (See Figs. 9.2 and 9.3 given above), attention should be paid to the manner in which the Solar Charge Controller is connected to the battery bank. Please ensure that if the Positive output cable of the Solar Charge Controller (Cable "A") is connected to the Positive battery post of the first battery (Battery 1 in Fig. 9.2) or to the Positive battery post of the first battery string (Battery 1 of String 1 in Fig. 9.3), then the Negative output cable of the Solar Charge Controller (Cable "B") should be connected to the Negative battery post of the last battery (Battery 4 as in Fig. 9.2) or to the Negative Post of the last battery string (Battery 4 of Battery String 2 as in Fig. 9.3). This connection ensures the following:

- The resistances of the interconnecting cables will be balanced.
- All the individual batteries / battery strings will see the same series resistance.
- All the individual batteries will charge at the same charging current and thus, will be charged to the same state at the same time.
- None of the batteries will see an overcharge condition.

If the Positive output cable of the Solar Charge Controller (Cable "A") is connected to the Positive battery post of the first battery (Battery 1 in Fig. 9.2) or to the Positive battery post of the first battery string (Battery 1 of String 1 in Fig. 9.3), and the Negative output cable of the battery charger (Cable "B") is connected to the Negative battery post of the first battery (Battery 1 as in Fig. 9.2) or to the Negative Post of the first battery string (Battery 1 of Battery String 1 as in Fig. 9.3), the following abnormal conditions will result:

- The resistances of the connecting cables will not be balanced.
- The individual batteries will see different series resistances.
- All the individual batteries will be charged at different charging current and thus, will reach fully charged state at different times.
- The battery with lower series resistance will take shorter time to charge as compared to the battery which sees higher series resistance and hence, will experience over charging and its life will be reduced.

SECTION 10 | Routine Maintenance

Please carry out the following routine maintenance:

- Inspect the solar panels and make sure the surface is free from dust, dirt and other debris. Clean with a wet cloth or glass cleaner, if necessary.
- Check to make sure all structural components, mechanical fasteners and electrical connections are secure, clean and corrosion-free.
- Check and maintain battery electrolyte levels at regular intervals as per battery manufacturer's recommendations if flooded/wet cell Lead Acid batteries are used.
- Check and replace damaged components, if necessary.

SECTION 11 | Warranty

Warranty

The Samlex Solar Panel Kits (SSP-100-KIT, SSP-150-KIT & SSP-200W) manufactured by Samlex America Inc. (the "Warrantor") are warranted to be free from defects in workmanship and materials under normal use and service. The warranty is in effect from the date of purchase by the user (the "Purchaser").

Warranty period for various kit components:

100W/150W/200W Solar Panel:	5 year product workmanship warranty 10 year 90% power output warranty 25 year 80% power output warranty
Mounting Hardware and Wiring:	5 year product workmanship warranty

Warranty outside of the United States and Canada is limited to 6 months. For a warranty claim, the Purchaser should contact the place of purchase to obtain a Return Authorization Number.

The defective part or unit should be returned at the Purchaser's expense to the authorized location. A written statement describing the nature of the defect, the date of purchase, the place of purchase, and the Purchaser's name, address and telephone number should also be included.

If upon the Warrantor's examination, the defect proves to be the result of defective material or workmanship, the equipment will be repaired or replaced at the Warrantor's option without charge, and returned to the Purchaser at the Warrantor's expense. (Contiguous US and Canada only)

No refund of the purchase price will be granted to the Purchaser, unless the Warrantor is unable to remedy the defect after having a reasonable number of opportunities to do so. Warranty service shall be performed only by the Warrantor. Any attempt to remedy the defect by anyone other than the Warrantor shall render this warranty void. There shall be no warranty for defects or damages caused by faulty installation or hook-up, abuse or misuse of the equipment including exposure to excessive heat, salt or fresh water spray, or water immersion.

No other express warranty is hereby given and there are no warranties which extend beyond those described herein. This warranty is expressly in lieu of any other expressed or implied warranties, including any implied warranty of merchantability, fitness for the ordinary purposes for which such goods are used, or fitness for a particular purpose, or any other obligations on the part of the Warrantor or its employees and representatives.

There shall be no responsibility or liability whatsoever on the part of the Warrantor or its employees and representatives for injury to any persons, or damage to person or persons, or damage to property, or loss of income or profit, or any other consequential or resulting damage which may be claimed to have been incurred through the use or sale of the equipment, including any possible failure of malfunction of the equipment, or part thereof. The Warrantor assumes no liability for incidental or consequential damages of any kind.

Samlex America Inc. (the "Warrantor")

www.samlexamerica.com

Contact Information

Toll Free Numbers

Ph: 1 800 561 5885

Fax: 1 888 814 5210

Local Numbers

Ph: 604 525 3836

Fax: 604 525 5221

Website

www.samlexamerica.com

USA Shipping Warehouses

Kent, WA

Plymouth, MI

Canadian Shipping Warehouse

Richmond, BC

Email purchase orders to
orders@samlexamerica.com





samlexsolar[®]

**La Kit de
Panneau Solaire**
SSP-100-KIT
SSP-150-KIT
SSP-200-KIT

**Guide de
l'Utilisateur**

Veuillez lire ce
guide avant
d'utiliser
votre trousse.

GUIDE DU PROPRIÉTAIRE | Index

SECTION 1	
Consignes de Sécurité	3
SECTION 2	
Description et Liste des Composants	4
SECTION 3	
Système de Connexion pour le Raccordement des Panneaux Solaires	6
SECTION 4	
Survol de l'Installation	10
SECTION 5	
Outils et Matériaux Requis Pour l'Installation	11
SECTION 6	
Installation du Régulateur de Charge.....	11
SECTION 7	
Installation du Panneau Solaire	12
SECTION 8	
Câblage	14
SECTION 9	
Branchement Typiques de Batterie	17
SECTION 10	
Entretien Périodique	19
SECTION 11	
Garantie	20

Exclusion de responsabilité

SAUF ACCORD ÉCRIT, SAMLEX AMERICA INC. :

1. N'OFFRE AUCUNE GARANTIE QUANT À L'EXACTITUDE, L'EXHAUSTIVITÉ OU LA PERTINENCE DE TOUTE TECHNIQUE OU D'AUTRES INFORMATIONS FOURNIES DANS SES MANUELS OU D'AUTRES DOCUMENTS.
2. N'ASSUME AUCUNE RESPONSABILITÉ OU RESPONSABILITÉ POUR LES PERTES, DOMMAGES, COÛTS OU DÉPENSES, QU'IL S'AGISSE DE PARTICULIERS, DIRECTS, INDIRECTS, CONSÉCUTIFS OU ACCESSOIRES, QUI POURRAIENT DÉCOULER DE L'UTILISATION DE TELLES INFORMATIONS. L'UTILISATION DE CES RENSEIGNEMENTS SERONT ENTIÈREMENT À L'UTILISATEURS RISQUE.

Samlex Amérique se réserve le droit de réviser ce document et à procéder périodiquement à apporter des modifications au contenu sans obligation ou organisation de telles révisions ou modifications.

Avis de droit d'auteur/Mention de réserve du droit d'auteur

Copyright © 2021 par Samlex America Inc. Tous droits réservés. L'autorisation de copier, distribuer et/ou modifier ce document est interdite sans l'autorisation expresse et écrite de Samlex America Inc.

SECTION 1 | Consignes de Sécurité



Mise en Garde

Veillez lire attentivement le guide de l'utilisateur avant d'effectuer toute installation et tout câblage. Contactez votre marchand de VR ou le soutien technique de Samlex America. (1-800-561-5885) pour toute question concernant l'installation.

Conformité de l'installation et du Câblage

L'installation et le câblage doivent être conforme aux codes électriques locaux et nationaux et doivent être faits par un(e) électricien(ne) certifié(e):

1. Débranchez toutes les sources de puissance avant de procéder à l'installation
2. Assurez-vous que la bonne polarité est observée lorsque vous branchez le panneau solaire, le régulateur de charge et la batterie. Les dommages dus à un inversement de la polarité ne sont pas couverts par la garantie.
3. Assurez-vous que toutes les connexions soient bien serrées puisque les connexions lâches peuvent provoquer des étincelles.
4. Porter des vêtements et du matériel de sécurité appropriés, y compris des lunettes de protection lors de toute installation électrique.

Prévention des risques d'incendie et d'explosion

L'utilisation de l'équipement électrique/électronique pourrait produire des arcs électriques ou étincelles. Par conséquent, il ne doit pas être utilisé dans les endroits où il y a des matériaux ou gaz nécessitant des équipements ignifuges, par exemple, des espaces contenant des machines alimentées par essence, des réservoirs d'essence ou, des compartiments à batterie.

Précautions à prendre en travaillant avec des batteries:

- Les batteries contiennent de l'acide sulfurique, électrolyte corrosif. Certaines précautions doivent être prises afin d'empêcher tout contact avec la peau, les yeux ou les vêtements.
- Les batteries produisent de l'oxygène et de l'hydrogène, mélange de gaz explosif, lorsqu'elles sont rechargées. Ventilez à fond la zone de la batterie et, suivez les recommandations du fabricant pour l'emploi de la batterie.
- Ne jamais fumer ni mettre une flamme à proximité des batteries.
- Soyez prudent, réduisez toute risque de chute d'objets métalliques sur la batterie, ce qui pourrait provoquer des étincelles, ou court-circuiter la batterie et les autres pièces électriques, et causer une explosion.
- Retirez tous vos objets métalliques: bagues, bracelets, montres, etc. lorsque vous travaillez avec des batteries. Les batteries pourraient produire un court-circuit assez puissant pour souder des objets causant une brûlure grave.
- Si vous devez enlever la batterie, retirez toujours la borne négative (de terre) de la batterie en premier. Assurez que tous les accessoires soient éteints, pour ne pas provoquer d'étincelle.
- N'utilisez que des outils proprement isolés pour faire des raccordements de batterie.

Précautions à prendre en travaillant avec les panneaux solaires

Avec l'incidence de la lumière du soleil (ou autres sources de lumière) sur les panneaux solaires, une tension apparaît aux bornes de sortie du panneau solaire pour en faire une source d'électricité. Pour éviter un risque d'électrocution assurez-vous que le panneau solaire soit recouvert d'un matériel opaque (noir) tel que du papier/tissu lors de l'installation. Ne touchez pas les bornes lorsque le panneau est exposé à la lumière.

SECTION 2 | Description et Liste des Composants

Le Kit de Panneau Solaire SSP-100-KIT, SSP-150-KIT et SSP-200-KIT fournir une source propre, verte, silencieuse et durable de l'énergie solaire DC basée à charger les batteries 12V au plomb. Chaque kit Comprend:

- Panneau Solaire à Haut Rendement
- Fils de Connexion
- Supports et Composants de Montage

Détails du Panneau Solaire

Caractéristiques de la Conception

- Haut Efficacité de Conversion génèrent plus d'énergie par metre carré.
- Diode de blocage pour éviter les effets de mi-ombre. Boîte à Jonction et Connecteurs résistant aux intempéries.
- Verre Trempé Optique à Compostion Faible en Fer, Résine EVA et Cadre en Aluminium pour installations extérieures, et applications marines.
- Haut Exigences pour la fabrication - Chaque panneau est testé à fond
- Cadre fort capable de résister à des forces aéoliennes élevées

Applications

- Systèmes Sur-Toit Résidentiel
- Systèmes Sur-Toit de Bâtiment Commerciell / Industriel
- Applications aux Endroits Rurals
- Autres Applications Liées Au-Réseau ou Hors-Réseau
- Applications Automobiles, Marines et pour VR

Paramètre	Panneau de 100W avec la Trousse de Rechargement Solaire, SSP-100-KIT	Panneau de 150W avec la Trousse de Rechargement Solaire, SSP-150-KIT	Panneau de 200W avec la Trousse de Rechargement Solaire, SSP-200-KIT
Puissance Nominale Maximale à STC, Pmax	100W ± 3 %	150 W ± 3 %	200 W ± 3 %
Tension de Puissance Maximale, Vpm	17,8V	18,38V	20,52V
Courant de Puissance Maximale, Ipm	5,62A	8,16A	9,74A
Tension en Circuit-Ouvert, Vco	21,3V	22,68V	22,58V
Courant de Court Circuit Ics	6,07A	8,82A	9,97A
Rendement du Module	15,97 %	15,42 %	19,61%
Classification des Cellules	Monocristallin	Polycristallin	Monocristalline
No de Cellules	36	36	36
Tension Maximale du Système	UL-1703: 600VDC; IEC-61215 / 16730: 1000VDC		1500V
Classification du Fusible en Séries	10A	15A	15A
Boîte à Jonction	IP-65 avec 2 Diodes de Blocage; Cable de 4mm ² avec Connecteurs MC4 Compatibles		
Température de Fonctionnement	- 40°C to + 85°C / - 40°F to +185°F		
Dimensions	552 x 1200 x 35 mm / 21.73 x 47.25 x 1.39 po	660 x 1474 x 35.2mm / 26 x 58.03 x 1.39 po	680 x 1500 x 35 mm / 26.77 x 59.05 x 1.35 in
Poids	8 Kg; 17.63 livres	12 Kg; 26.4 livres	12 Kg; 26.4 lb.
STC	Éclairement Énergetique de Rayonnement Solaire: 1000 W/M ² ; Spectre: AM 1.5 Température Cellulaire: 25°C / 77°F		

SECTION 2 | Description et Liste des Composants

Paramètre	Panneau de 100W avec la Trousse de Rechargement Solaire, SSP-100-KIT	Panneau de 150W avec la Trousse de Rechargement Solaire, SSP-150-KIT	Panneau de 200W avec la Trousse de Rechargement Solaire, SSP-200-KIT
Coefficient de Température du Courant, I _{sc}	+ 0,05 % / °C	+ 0,08 % / °C	+ 0,065 % / °C
Coefficient de Température de la Tension, Voc	- 0,33 % / °C	- 0,34 % / °C	- 0,35 % / °C
Coefficient de Température de la Puissance, P _{max}	-0,23 % / °C	-0,43 % / °C	-0,5 % / °C

Les détails des composants compris dans la Trousse sont écrits si-dessous:

No Sérial	Description	La Trousse SSP-100-KIT de 100W	La Trousse SSP-150-KIT de 150W	La Trousse SSP-150-KIT de 150W
1	Panneau Solaire de 100W	1	0	0
2	Panneau Solaire de 150W	0	1	0
3	Panneau Solaire de 200W	0	0	1
4	Le Kit des Câbles de Connexion de Panneaux Solaires, Modèle SCW-20-2 composé de:			
4-1	Câble d'Extension PV Positive (+): • de 6m en longueur, AWG #12 • Connecteur Mâle MC-4 d'un bout et dénudé à l'autre	1	1	1
4-2	Câble d'Extension PV Negative (-): • de 6m en longueur, AWG #12 • Connecteur Femelle MC-4 d'un bout et dénudé à l'autre 6m en longueur	1	1	1
5	Support de Montage à 5-Trous pour la fixation du Panneau tau Toit du VR éou autre surface	4	4	4
6	Boulon à Bride (1/4-20 x 3/4 po)Hex, Acier INOX -pour la fixation du pannaeeau au support de Montage (Srl. 5)	4	4	4
7	Rondelle Plate (1/4"): INOX - Sous le boulon à Bride (Srls. 6 et 10)	8	8	8
8	Contre-écrou (1/4 po): Hex, Acier Inox, encart en nylon - pour le boulon à bride (Srl. 6)	4	4	4
9	Écrou-douille (Taille d'écrou: 1/4-20; Longueur 1 po tige de diamètre d'un 1/2 po) - pour la fixation du support de montage (SRI 5.) au toit du VR ou autre surface	4	4	4
10	Boulon à Bridet (1/4-20 x 1 1/4 po): Hex, Acier INOX- Pour la fixation du support de montage (Srl. 5) à l'écrou-douille (Srl. 9)	4	4	4
11	Serre- Câble - pour les Câbles d'Extension PV (Srls. 4-1 & 4-2)	6	6	6
12	Vis taraudeuse (#8) à pointe cruciforme - pour le serre-câble (Srl. 11)	6	6	6
13	Collier de Câble pour les Câbles D'extension (Sri 4-1 et 4-2)	6	6	6
14	Cosse circulaire isolée, taille de goujon de 5/16 po, pour tailles de câble de AWG #10 à #12	2	2	2
15	Borne à anneau de batterie isolée ; Taille de goujon 5/16"; Taille de fil #8 AWG	0	0	2
16	Borne isolée du contrôleur de charge, taille de goujon #8 ; Taille de fil #8 AWG	0	0	2
17	Guide d'utilisation pour la trousse	1	1	1

SECTION 3 | Système de Connexion pour le Raccordement des Panneaux Solaires

Les sorties Positives et Négatives d'un panneau solaire sont alimentées par une boîte de jonction étanche à l'eau. Des fils de taille appropriée sont branchés à la boîte de jonction pour des autres connexions. Chaque panneau solaire compris dans ces trusses sont fournis avec environ 90 cm de fils Positif et Négatif qui sont pré-connectés à la boîte de jonction. Les extrémités libres des fils sont terminées avec un type de connecteur à accouplement spécial pour faciliter l'extension de ces fils pour des autres connexions. Les connecteurs à accouplement utilisés pour les 90 cm de fils fournis avec les panneaux solaires et aussi pour les fils d'extension séparés se détaillent comme la suivante :

- Série « Solarline - MC4 » fabriquée par Multi-Contact

Information Générale sur le Système de Connexion MC4

Le système de connexion MC4 est composé de connecteurs mâles et femelles. Ce système est facile à installer et utilise un type de collier de verrouillage pour sécuriser les deux connecteurs correspondants, ce qui évite un désaccouplement involontaire. En outre, les contacts d'accouplement sont étanches protégeant des intrusions de la poussière et de l'eau. Les spécifications sont les suivantes :

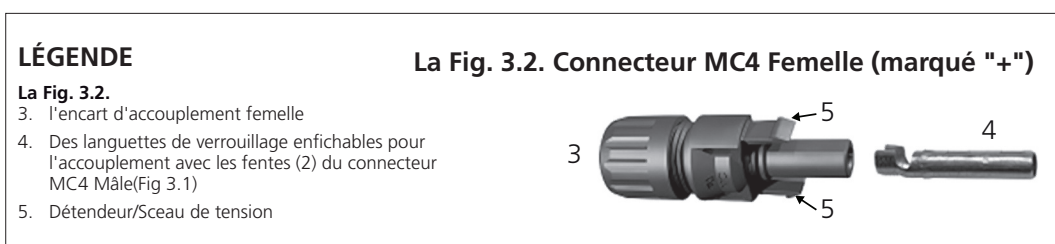
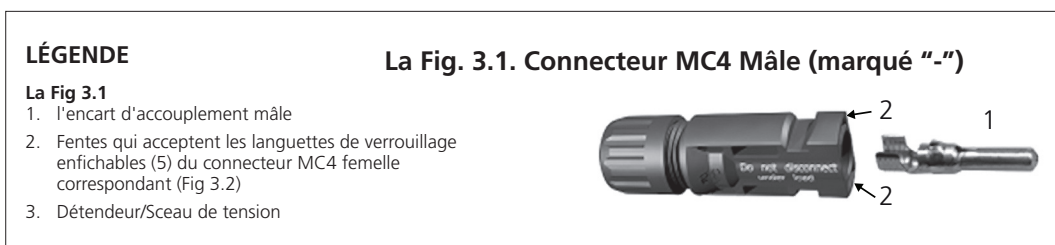
- Diamètre du contact Ø 4 mm
- Courant nominal maximal - 30 A
- Tension maximale du système - 1 000 V
- Indice de protection relative à l'étanchéité lorsque connecté et correctement verrouillé - IP67
- Plage de température -40 °C à 90 °C

Connecteurs MC4 (Les Figs. 3.1 et 3,2)

Les connecteurs MC4 mentionnés dans ce guide ont été désignés « mâle » et « femelle » selon les caractéristiques des encarts d'accouplement dans les bornes.

Dans le connecteur MC4 mâle (1 de la Fig. 6.2), l'encart d'accouplement interne (2 Fig. 6.2) est une broche mâle. La broche est disposé de deux fentes (3 de la Fig. 6.2) pour l'insertion dans les deux languettes de verrouillage enfichables (6 de la Fig. 6.2) dans le connecteur MC4 femelle (4 de la Fig. 6.2) pour un raccordement solide. Ce connecteur est désigné par « - ».

Dans le connecteur MC4 femelle (4 de la Fig. 6.2), l'encart d'accouplement interne (5 de la Fig. 6.2) est une prise femelle cylindrique. Elle est dotée de deux languettes de verrouillage enfichables (6 de la Fig. 6.2) qui sont insérées dans les deux fentes (3 de la Fig. 6.2) du connecteur MC4 mâle (1 de la Fig. 6.2) pour un raccordement solide. Un fil est serti sur les encarts d'accouplement (2 et 5 de la Fig. 6.2) en utilisant un outil à sertissage spécial conçu pour les connecteurs MC4. Après avoir serti le fil, le filet rapporté doit être assis en toute sécurité à l'intérieur du boîtier et le détendeur/sceau de tension (7 de la Fig. 6.2) doit être serré à fond pour assurer une étanchéité à l'eau complète.



SECTION 3 | Système de Connexion pour le Raccordement des Panneaux Solaires

Connexions et Fils de Sortie sur le Panneau Solaire

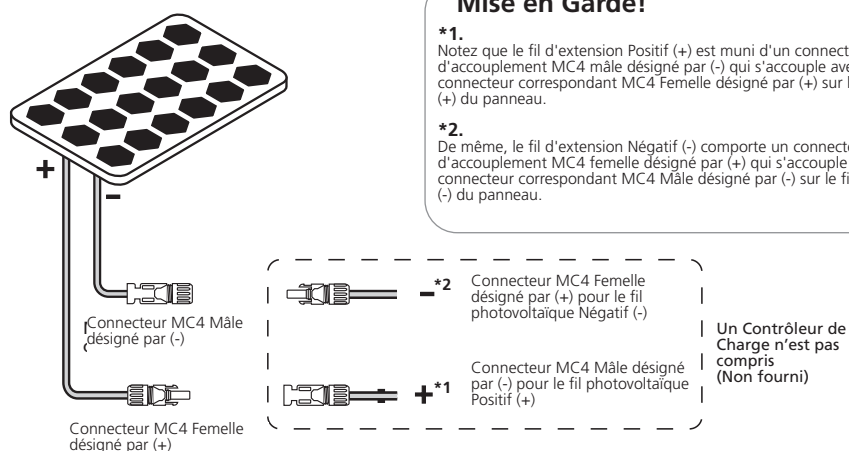
La Fig. 3.3 illustre les fils de sortie et connexions du panneau solaire. Les fils de sortie de la boîte de jonction du panneau solaire sont terminés avec un connecteur MC4, soit mâle pour un et femelle pour l'autre. Le fil Positif (+) est terminé par un connecteur MC4 Femelle (désigné par « + ») et le fil Négatif est terminé par un connecteur MC4 Mâle (désigné par « - »).



Mise En Garde!

Lorsque la surface du panneau solaire est exposée au soleil, une tension continue apparaît aux bornes de sortie, le transformant en source de tension active. Plusieurs panneaux solaires connectés en série (pour augmenter la tension de sortie) généreront des tensions plus élevées qui risquent d'être mortelles. Pour éviter tout risque de choc électrique lors de l'installation, s'assurer que le panneau solaire soit recouvert d'un matériau opaque (noir) qui bloquerait le rayonnement solaire.

Extension aux Fils de Sortie du Panneau Solaire (Fig. 3.3)



La Fig 3.3 Connexion des câbles d'extension au câbles de sortie du panneau solaire

1. Le fil Positif (+) du panneau solaire est terminé par un connecteur MC4 Femelle (désigné par +). Le raccorder au connecteur MC4 Mâle (désigné par -) qui est attaché au fil d'extension Positif. Assurer-vous que les languettes enfichables sont verrouillées pour une connexion solide. L'extrémité dénudée du fil d'extension Positif assume désormais une polarité positive. **Utilisez un morceau de ruban rouge ou de manchon rouge près de l'extrémité dénudée pour identifier le fil Positif (+).**
2. Le fil Négatif (-) du panneau solaire est terminé par un connecteur MC4 mâle (désigné par -). la raccorder au connecteur MC4 Femelle (désigné par +) qui est attaché au fil d'extension Négatif. Assurer-vous que les languettes à crans sont verrouillées pour une connexion solide. L'extrémité dénudée du fil d'extension Négatif assume désormais une polarité Négative.
3. Connecter les deux fils vers le circuit à un Contrôleur de Charge (n'est pas compris).

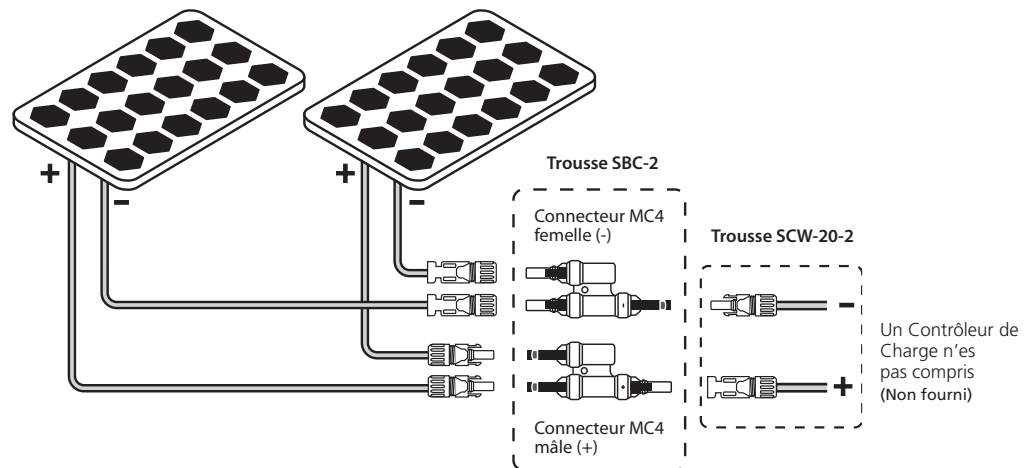


Mise en Garde!

Assurer-vous que la polarité (+ ou -) des fils soit identifiée correctement avant de les branchés à un circuit ou un dispositif. Les dommages dû à l'inversion de polarité ne sont pas couverts par la garantie.

SECTION 3 | Système de Connexion pour le Raccordement des Panneaux Solaires

Connexion de Deux Panneaux Solaires Adjacents en Parallèle (Fig. 3.4)

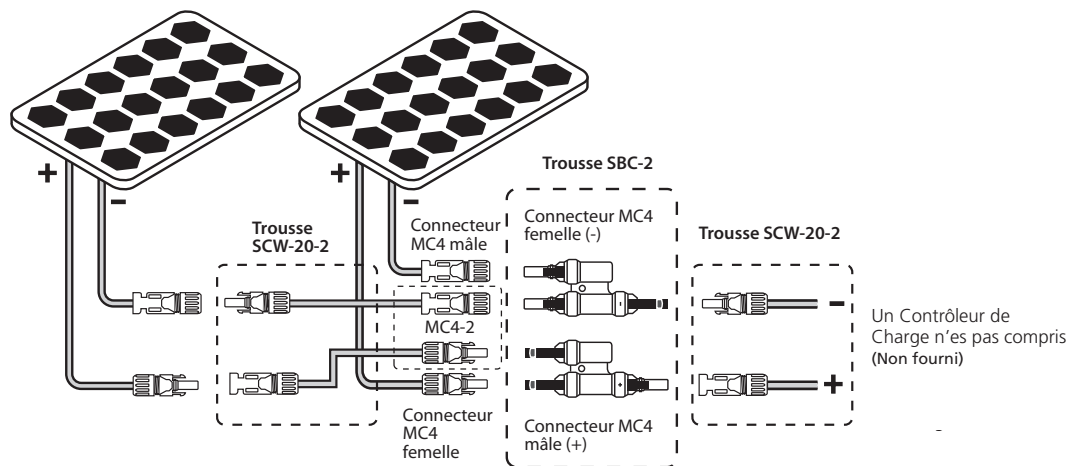


La Fig. 3.4. connexion de deux panneaux solaires adjacents en parallèle

Deux ou plusieurs panneaux solaires peuvent être connectés en parallèle pour augmenter le courant de sortie à la même tension de sortie. La Fig. 6.5 ci-dessus illustre l'arrangement pour le raccordement de deux panneaux solaires en parallèle à l'aide des fil de connexion SCW-20-2 et de la trousse de connecteurs ramifiés MC4 (SBC-2) vendus séparément. Cette disposition est possible si les deux panneaux solaires doivent être installés côte à côte.

Les fils de sortie des deux panneaux solaires sont d'abord montés en parallèle en utilisant les connecteurs MC4 Mâles et Femelles. Les sorties des connecteurs sont ensuite reliés aux fils SCW-20-2 pour la connexion à un Contrôleur de Charge (n'est pas compris).

Connexion de Deux Panneaux Solaires en Parallèle Lorsqu'ils sont Séparés par une Distance (Fig. 3.5)



La Fig. 3.5. Connexion de Deux Panneaux Solaires en Parallèle Lorsqu'ils sont Séparés par une Distance

SECTION 3 | Système de Connexion pour le Raccordement des Panneaux Solaires

La Fig.3.5 montre une disposition pour connecter un deuxième panneau solaire en parallèle qui est séparé par une distance étendue. Dans ce cas, les éléments suivants seront requis :

- Les fils de connexion SCW-20-2 2 ensembles (un ensemble est fourni avec la trousse, le deuxième doit être commandé séparément)
- Un connecteur ramifié MC4 Mâle et Un connecteur ramifié MC4 Femelle qui sont vendus séparément dans un kit optionnel - Modèle SBC-2
- Un connecteur MC4 Mâle et un connecteur MC4 Femelle qui sont vendus séparément dans un kit optionnel - Modèle MC4-2

Un ensemble des fil de connexion SCW-20-2 et le kit optionnel des connecteurs MC-4 "MC4-2" est d'abord utilisé pour la connexion entre les deux panneaux. Le kit optionnel "SBC-2" est utilisé pour les mettre en parallèle. Puis le deuxième ensemble de fils de connexion SWC-20-2 est utilisé pour la connexion à un Contrôleur de Charge (n'est pas compris).

SECTION 4 | Survol de l'Installation

Un bloc-diagramme d'une installation de VR typique (la Fig 4.1)



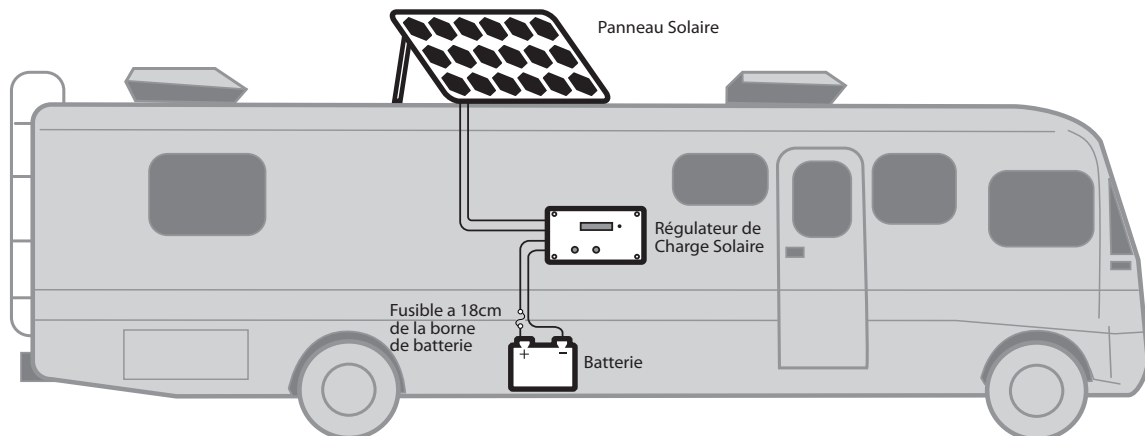
Mise en Garde!

1. **SÉCURITÉ:** Veuillez lire la Section 1: Consignes de Sécurité Générales avant d'effectuer l'installation..

À REMARQUER:

Le Contrôleur de Charge Solaire et la batterie dans la Fig. 4.1 sont montrés parce qu'ils font partie d'une installation typique d'un Système de Chargement de 12V. Ils sont pas compris dans le kit.

1. Lire le guide en détail et chercher à comprendre la procédure d'installation.
2. Ouvrir l'emballage et s'assurer que toutes les pièces ont été reçues, selon la liste des pièces dans le guide (Tableau 2.2).
3. Disposer des outils nécessaires pour effectuer l'installation. Une liste d'outils requies (non exhaustive) est fournie dans la Section 5.
4. Déterminer l'emplacement de la fixation du ou des panneaux solaires sur le toit du VR.
5. Installer le régulateur de charge à l'endroit désiré (voir la Section 6).
6. Faire passer le câble par des panneaux solaires à l'intérieur de la VR (voir la Section 7).
7. Filer la batterie au régulateur de charge, puis le panneau solaire au régulateur de charge tout en s'assurant que la polarité est correcte (voir la Section 7).
8. Fixer le panneau solaire sur le toit du véhicule (voir la Section 7).



La Fig. 4.1. Bloc-Diagramme de l'installation

SECTION 5 | Outils et Matériaux Requis Pour l'Installation

Outils Requis

1. Tournevis à Pointe Cruciforme
2. Clé de 7/16Po
3. Clé de 3/8Po
4. Pince à dénuder
5. Outil à Sertissage
6. Perceuse à Main
7. Foret de 1/2Po
8. Scie-Auteuse ou autre outil de coupage adapté
9. Pincés
10. Chasse-clou ou Poinçon

Matériaux Requis

1. Du silicone ou tout mastic de toit convenable. Contactez votre représentant ou magasin de VR pour une recommandation relative à un produit d'étanchéité convenable pour le matériel spécifique du toit de votre véhicule.
2. Lubrifiant anti-grippage pour empêcher le « grippage du filetage » de tous les éléments de fixation en acier inoxydable exposés à l'environnement extérieur. Celui-ci devrait être disponible à la plupart des quincailleries ou magasins de pièces automobiles. Si un lubrifiant anti-grippage n'est pas disponible, n'importe quel lubrifiant standard minimisera le « grippage du filetage. »
3. Si les distances de câblage sont plus longues que les longueurs de fil fourni avec la trousse, du fil en cuivre toronné sera nécessaire. Les fils devraient être de calibre 12 AWG ou plus gros, conducteur unique, de type UF (Underground Feeder – marqué résistant à la lumière du soleil), Type SE (Entrée de Service) ou de type USE/USE-2 (Entrée de Service Souterraine) Si vous en avez besoin, les kits suivants pourraient être commandés pour un extension de 6 m :
 - Fils de Connexion pour panneau solaire "SCW-20-2"
 - Connecteurs Multi-Contact "MC4-2"

SECTION 6 | Charge Controller Installation

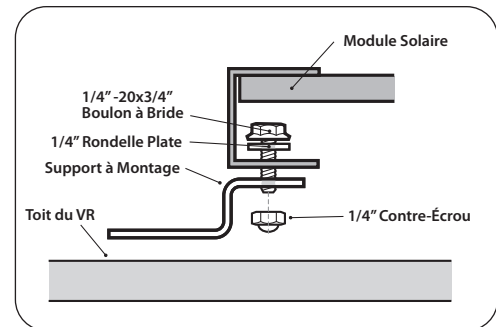
La sortie du panneau est alimentée au Contrôleur de Charge Solaire sélectionné (pas compris dans ce kit). Veuillez vous référer aux instructions d'installation qui sont fournis avec le Contrôleur de Charge Solaire sélectionné.

SECTION 7 | Installation du Panneau Solaire

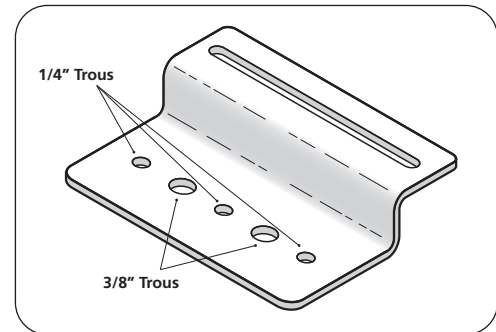
1. L'acier inoxydable peut être soumis à un processus appelé le « grippage du filetage » dans lequel les boulons peuvent être dévissés et/ou les filets des boulons s'agrippent au filet de l'écrou. Appliquer un lubrifiant anti-grippage à toutes les attaches en acier inoxydable avant l'installation, disponible à la plupart des quincailleries ou magasins de pièces automobiles. Si un lubrifiant anti-grippage n'est pas disponible, n'importe quel lubrifiant standard minimisera l'apparition du « grippage du filetage ».
2. Fixer les supports de montage (La Fig. 7.2) au cadre du panneau solaire préalablement positionné à l'aide de l'ouverture rainurée et le boulon à épaulement de ¼ po -20 x ¾ po, le contre-écrou et la rondelle plate (La Fig. 7.1).
3. À l'aide d'une clé de 7/16 po, serrer les écrous pour fixer les supports de montage sur le panneau photovoltaïque. La torque de serrage recommandée est de 15 lbs.
4. Positionner le panneau avec les supports de montage attachés à l'endroit désiré sur le toit du VR et marquer la position désirée du trou de montage en utilisant un marqueur approprié et en traçant le trou sur le support de montage. S'assurer que la surface de montage soit suffisamment solide pour supporter les supports de montage, le panneau solaire et la surcharge du vent.
5. Les trous de centre et d'extrémité sur les supports de montage (Fig. 7.2) sont dimensionnés pour accepter les pièces de fixation de ¼ po fourni avec l'appareil. Si l'utilisation de pièces de fixation de taille plus grande (3/8 po) est désirée, les trous 2 et 4 peuvent être utilisés.

Écrou-douille pour l'ancrage du panneau solaire au toit du VR

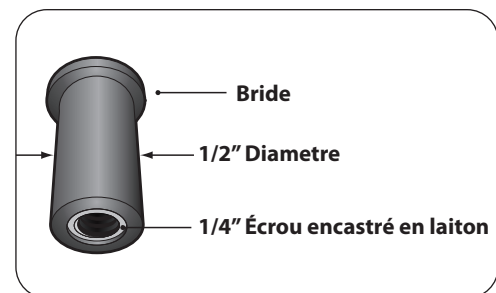
6. Un écrou-douille est une cheville en caoutchouc néoprène résistant avec une bride à l'extrémité supérieure et un écrou encastré en laiton monté dans l'alésage à l'extrémité inférieure (La Fig. 7.3). Le serrage d'un boulon ou d'une vis mécanique conventionnel engage l'écrou encastré provoquant ainsi l'expansion de la douille. Cette méthode assure la fixation aux toits mince du VR en bombant vers le haut et contre la surface inférieure du toit (Fig. 7.6). Si elle est utilisée dans un trou borgne dans un matériau de surface solide, le caoutchouc s'élargira vers l'extérieur pour assurer une fixation solide (La Fig.7.8.7). Le néoprène et le laiton résistent à la plupart des conditions météorologiques. En outre, l'écrou-douille rend le trou percé parfaitement étanche contre les fuites d'air et de liquide.



La Fig. 7.1. Fixation des panneaux solaires au support de montage à 5 trous.



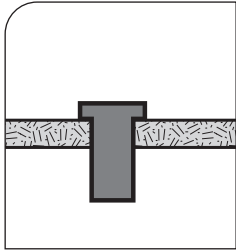
La Fig. 7.2. Support de montage à 5 trous.



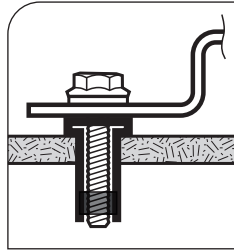
La Fig. 7.3. Construction d'un écrou-douille

SECTION 7 | Installation du Panneau Solaire

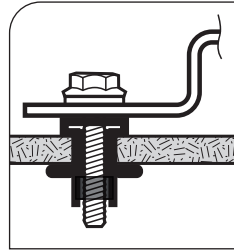
Installation typique d'un écrou-douille



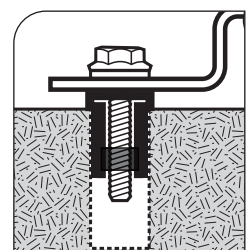
La Fig. 7.4. L'écrou-douille est inséré dans un trou pré-percé avec sa bride contre la surface extérieure. Il n'est pas nécessaire d'accéder à la surface intérieure.



La Fig. 7.5. Le support de montage à 5 trous est placée contre la bride de l'écrou-douille et est fixé par le boulon engageant l'écrou encastré en laiton.

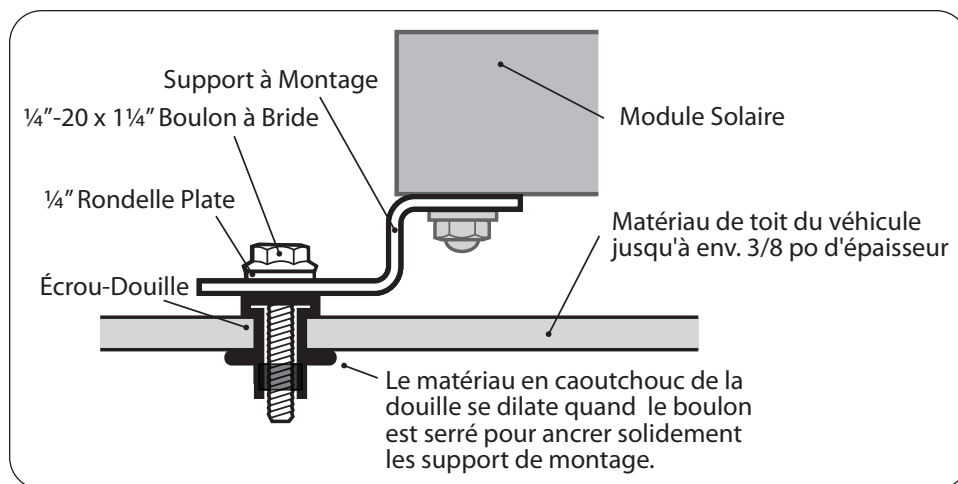


La Fig. 7.6. Quand le boulon est serré, le corps en néoprène de l'écrou-douille est comprimé et dilaté à la fois, le forçant à se loger bien dans les filets du boulon et contre la surface interne du matériau de toit mince du VR.



La Fig. 7.7. Installé dans un trou borgne dans un matériau solide, le corps de l'écrou-douille dilate pour se loger fermement contre les parois du trou, assurant ainsi une fixation sûre et sécuritaire.

7. Pour installer les écrous-douilles, percer, à l'aide d'un foret de 1/2 po, des trous de 1 1/4 po de profondeur aux positions marquées. Veiller à ce que le forage ne nuise pas au câblage existant.
8. Appliquer généreusement du silicone ou un produit d'étanchéité approprié recommandé par le détaillant de votre VR aux trous percés pour les imperméabiliser.
9. Insérer l'écrou-douille de 1/4 po dans les trous percés de sorte que seulement la bride reste au-dessus de la surface du toit (La Fig. 8.4).
10. Fixer les supports de montage à la surface du toit par l'insertion d'un boulon à bride dentelée de 1/4 x 1 1/4 po dans l'écrou-douille (La Fig. 8.5). Serrer à l'aide d'une clé de 3/8 po à une torque de serrage recommandé de 15 lbs. Lorsque le boulon à bride dentelée est vissé dans l'écrou-douille, le matériau environnant l'écrou-douille va gonfler légèrement, fixant la structure sur le toit du VR (Fig. 8.6 & 8.8).
11. Veiller à ce que tous les boulons et supports de montage soient couverts d'une couche généreuse d'enduit d'étanchéité pour VR, tel que recommandé par le détaillant.



La Fig. 7.8 Fixer le support de montage à 5 trous sur le toit du VR

SECTION 8 | Câblage

L'installation électrique typique pour faire recharger une batterie de 12V avec un seul panneau de 200W/150W/100W est montrée à la Fig. 8.1.



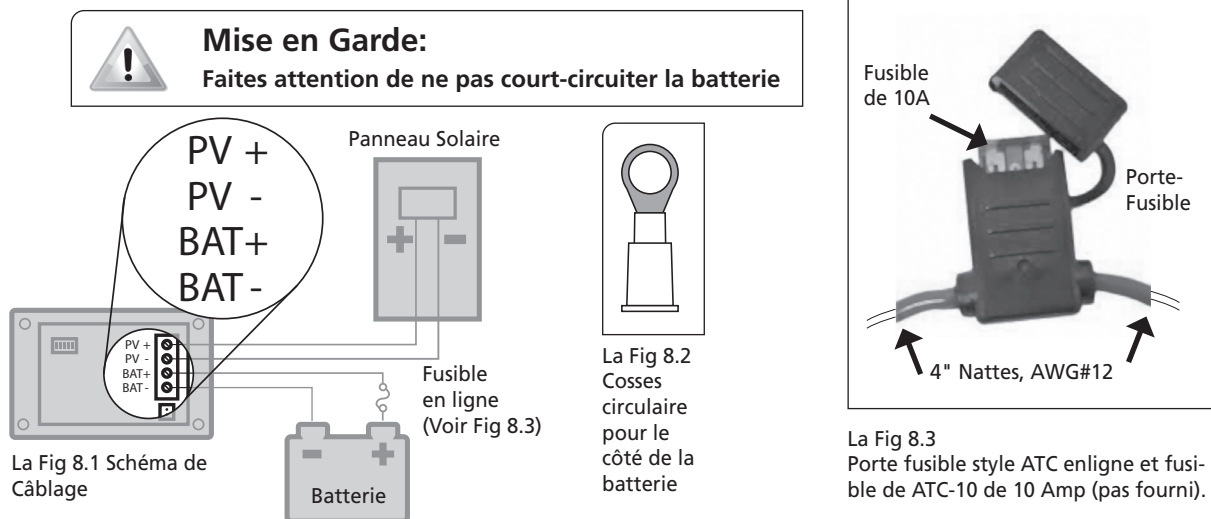
Mise En Garde!

1. La batterie doit être connectée au régulateur de charge avant que le panneau solaire ne soit connecté au régulateur de charge.
2. Utilisez la taille de fusible appropriée dans le câble Positif de la batterie pour empêcher le risque de provoquer un incendie à cause d'un court-circuit dans les câbles.

Une paire de câbles pré-assemblés AWG n°12 de 20 pieds avec connecteurs multi-contacts (MC4) mâle et femelle est fournie pour connecter le panneau solaire au contrôleur de charge. Reportez-vous au schéma de câblage à la Fig. 8.1 ci-dessous. Le contrôleur de charge doit être situé le plus près possible de la batterie pour limiter la chute de tension.

Connexion de la batterie au Contrôleur de Charge

- Utilisez AWG#12 jusqu'à 6 pieds et AWG#10 jusqu'à 10 pieds pour limiter la chute de tension à 3% à un maximum de 10A.
- Utilisez AWG#8 jusqu'à 6 pi à un courant maximum de 30 A et 10 pi à 15 A.
- Marquez les câbles pour différencier entre Positif et Négatif.
- S'assurer que la borne Positive de la batterie (désignée par +) est reliée à la borne Positive du régulateur de charge (désignée BAT +) et la borne Négative de la batterie (désignée -) est reliée à la borne Négative (désignée BAT -) du régulateur de charge (La Fig. 8.1). En cas de doute, utiliser un voltmètre de courant continu pour déterminer la polarité de la banque de batteries. **Un *inversement de la polarité endommagera le régulateur de charge et les dommages résultants ne seront pas couverts par la garantie.***
- 2 pièces de cosse à anneau (Fig 8.2) ont été fournies pour sertir les extrémités des fils du côté de la batterie.
- Utilisez un porte-fusible de style ATC en ligne sur l'extrémité de la batterie du câble positif (Fig 8.1 ; NON FOURNI).

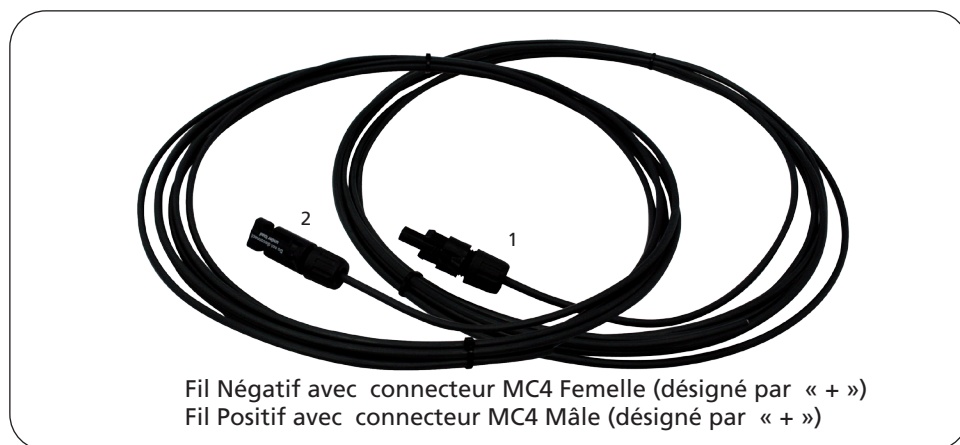


Utilisez le fusible style ATC enligne avec le porte fusible (La Fig. 8.3) au plus près possible de la batterie.

SECTION 8 | Câblage

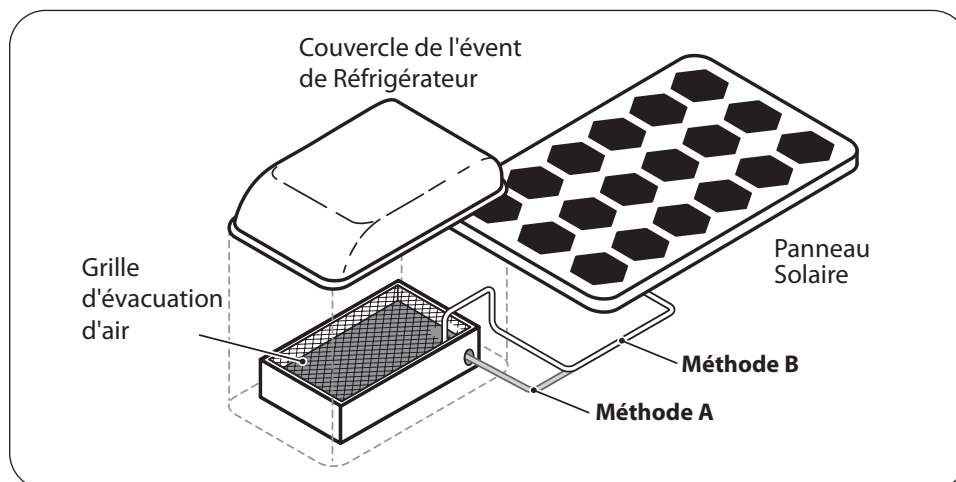
Panneau Solaire au Régulateur de Charge

1. Déterminer l'emplacement du panneau solaire la fixation sur le toit du VR. En positionnant les panneaux, éviter de les mettre à l'ombre des obstacles environnants tels que les événements, climatiseurs, antennes de TV, etc. Autant que possible, positionnez les panneaux afin de minimiser la longueur du câblage entre le panneau solaire et le régulateur de charge. Placez le panneau à au moins 20 à 25 cm des bords du toit du VR et laissez suffisamment d'espace pour pouvoir se déplacer autour du panneau et accéder aux composants de montage.
2. S'assurer que l'épaisseur de la toiture à l'emplacement de l'installation est au moins 12,5 mm d'épaisseur et que le matériau est suffisamment solide pour fournir un soutien mécanique au panneau solaire et au matériel de montage pour une résistance au vent éventuelle. Placez le panneau dans le sens de la longueur afin de réduire la charge exercée par le vent sur le VR.



La Fig. 8.4 Kit de fils de connexion pour panneaux solaires "SCW-20-2"

3. Deux fils d'extension photovoltaïques pré-assemblés, de 6 m, de calibre 12 AWG, Positif (+) et Négatif (-) sont compris (voir la Fig. 8,4). Les fils ont des connecteurs MC4 sur une extrémité pour se connecter au panneau solaire et une extrémité dénudée de l'autre côté pour la connexion au régulateur de charge. Les fils sont marqués (+) et (-) pour l'identification de la polarité.
4. Veuillez lire la section 3 pour le raccordement des câbles d'extension aux panneaux.



La Fig. 8.5 Entrée d'extension PV par l'évent du VR

SECTION 8 | Câblage

5. La paire de fils du panneau solaire peut être acheminée à l'intérieur du VR par l'évent du réfrigérateur sur le toit. Trouver où l'évent du réfrigérateur est situé sur le toit du VR. Voir la Fig. 8.5.
6. Choisir un emplacement approprié pour l'installation du panneau solaire, de préférence aussi près de l'évent que possible. La surface de montage doit être suffisamment solide pour supporter les supports de montage, le panneau solaire et la surcharge du vent.
7. Enlever le couvercle d'aération pour accéder à l'ouverture des conduits et garder les ferrures de fixation de l'évent en toute sécurité puisque le couvercle d'aération doit être remis après que les fils auront été acheminés.
8. Les fils du panneau solaire peuvent être acheminés soit par:
 - A. – **un trou dans le côté de l'évent** : Percer un trou approprié sur le côté de l'évent et insérer un joint en caoutchouc (non fourni). Acheminer avec soins la paire de fils au régulateur de charge à travers le trou. Utiliser l'enduit d'étanchéité approprié tel que recommandé par le détaillant du VR pour assurer que la pénétration sur le côté de la cheminée est étanche.
 - B. – **par la grille d'évacuation d'air** : Acheminer la paire de fils à travers les trous de la grille. Élargir les trous de la grille si nécessaire.
9. Pour une finition soignée, utiliser les serre-câbles avec des vis autotaraudeuses et des colliers de serrage à intervalles réguliers sur le parcours du câblage à partir du panneau solaire jusqu'au régulateur de charge pour maintenir les câbles en place. Enfouir tout excédent de fil dans le couvercle de l'évent de réfrigérateur.
10. Remettre le couvercle de l'évent de réfrigérateur et fixer-le avec les ferrures de fixation conservées.
11. Sertir l'extrémité dénudée des fils avec les cosses à fourche fournies (La Fig. 8.3).
12. Insérer les extrémités fourchues dans la borne appropriée du régulateur de charge (La Fig. 8.1) : le fil photovoltaïque Positif est connecté à la borne Positive du régulateur de charge (désignée PV +) le fil photovoltaïque Négatif est relié à la borne négative du régulateur de charge (désignée PV -). **Inverser la polarité endommagera le régulateur de charge et les dommages résultants ne seront pas couverts parla garantie.**

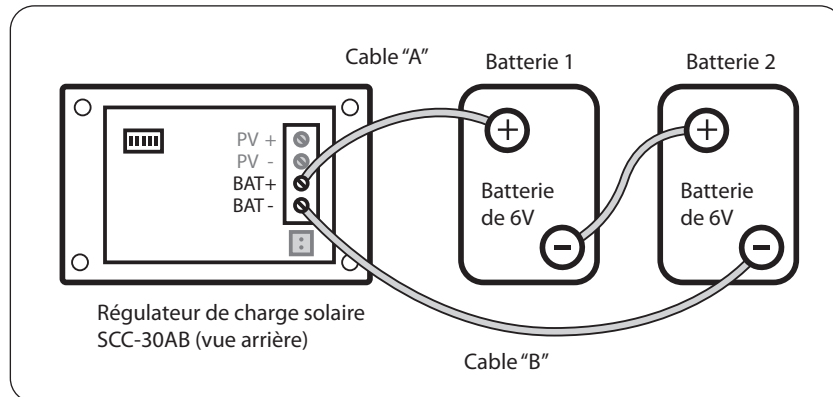


Mise En Garde!

Éviter de mettre des objets pointus, chauffés ou abrasifs sur le parcours du câblage.

SECTION 9 | Branchement Typiques de Batterie

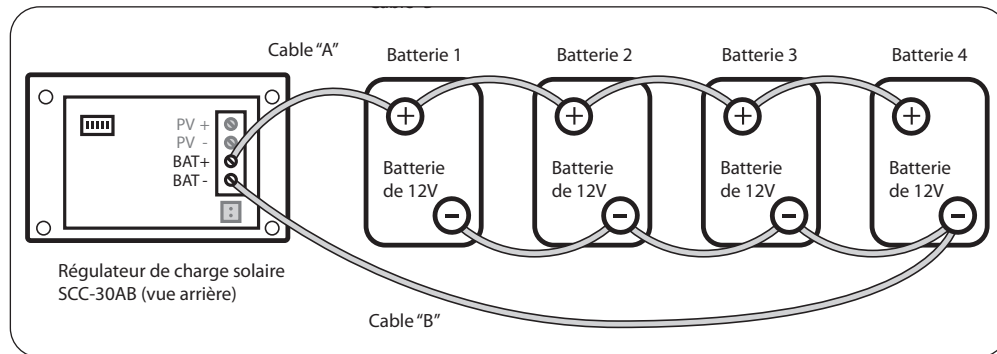
Connexion des Batteries en Série



La Fig. 9.1: Connexion en Série

Lorsque deux ou plusieurs batteries sont branchées en série, leurs tensions s'accumulent, mais leur capacité AH reste la même. La Fig.10.1 ci-dessus illustre 2 batteries de 6V, 200 Ah branchées en série pour former une banque de batteries de 12V avec une capacité de 200 AH. La borne Positive de la Batterie 1 devient la borne Positive de la banque de 12V. La borne Négative de la Batterie 1 est reliée à la borne Positive de la Batterie 2. La borne Négative de la batterie 2 devient la borne Négative de la banque de 12V.

Connexion des Batteries en Parallèle

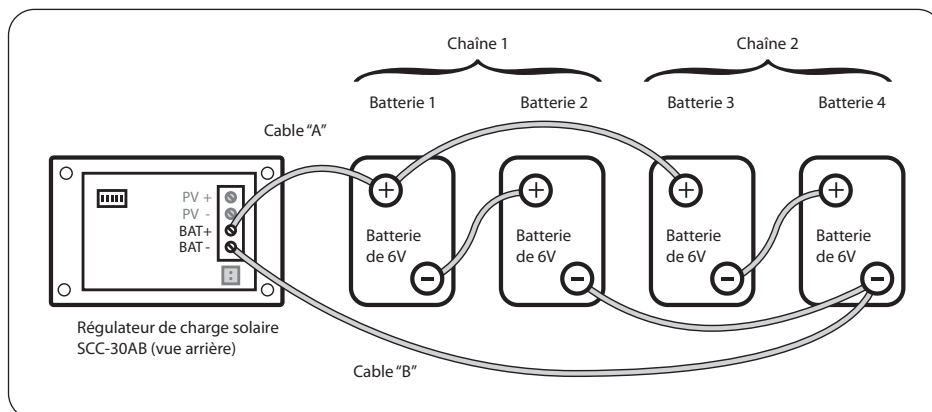


La Fig. 9.2: Connexion en Parallèle

Lorsque deux ou plusieurs batteries sont branchées en parallèle, leur tension reste la même, mais leurs capacités AH s'accumulent. La fig. 10.2 ci-dessus illustre 4 batteries de 12V, 100 AH branchées en parallèle pour former une banque de batteries de 12V avec une capacité de 400 Ah. Les quatre bornes Positives des Batteries 1 à 4 sont en parallèle (reliées entre elles) et ce lien Positif commun devient la borne Positive du groupe de batteries de 12V. De la même façon, les quatre bornes Négatives des Batteries 1 à 4 sont en parallèle (reliées entre elles) et ce lien Négatif commun devient la borne Négative du groupe de batteries de 12V.

SECTION 9 | Branchement Typiques de Batterie

Connexion des Batteries en Série - Parallèle



La Fig. 9.3: Connexion en Série - Parallèle

La Fig. 9.3 ci-dessus montre un branchement en série - parallèle composé de quatre batteries de 6V, 200 Ah pour former une banque de batteries de 12V, 400 Ah. Deux batteries de 6V, 200 Ah, les Batteries 1 et 2 sont branchées en série pour former une batterie de 12V, 200 Ah (Chaîne 1). De la même façon, deux batteries de 6V, 200 AH, les Batteries 3 et 4 sont branchées en série pour former une banque de batteries de 12V avec une capacité de 200 AH (Chaîne 2). Ces deux batteries de 12V, 200 AH, soit les Chaînes 1 et 2 sont branchées en parallèle pour former une banque de batteries de 12V, 400 AH.



Mise en Garde!

Lorsque 2 ou plusieurs batteries / chaînes de batteries sont branchées en parallèle et sont ensuite branchées au Régulateur de Charge Solaire (voir les Figs. 9.2 et 9.3 ci-dessus), faites attention à la façon dont le régulateur de charge solaire est branché à la banque de batteries. Faire en sorte que si le câble de sortie positif du régulateur de charge solaire (Câble A) est relié à la borne Positive de la première batterie (Batterie 1 sur la Fig. 9.2) ou à la borne Positive de la première chaîne de batteries (Batterie 1 de la Chaîne 1 dans la Fig.9.3), puis le câble de sortie Négatif du Régulateur de Charge Solaire (Câble B) doit être relié à la borne Négative de la dernière batterie (Batterie 2 comme dans la Fig. 9.2) ou à la borne Négative de la dernière chaîne de batteries (Batterie 4 de la chaîne 2 comme dans la Fig. 9.3). Ce branchement garantit le suivant :

- Les résistances des câbles d'interconnexion seront équilibrées.
- Toutes les batteries individuelles/chaînes de batteries, généreront la même résistance en série.
- Toutes les batteries individuelles vont se recharger avec le même courant de charge et donc, arriveront au même état au même moment.
- Aucune batterie se trouvera en état de surcharge.

Si le câble de sortie Positif du chargeur de batterie (Câble A) est relié à la borne Positive de la première batterie (Batterie 1 dans la Fig. 10.2) ou à la borne positive de la première chaîne de batteries (Batterie 1 de la Chaîne 1 dans la Fig. 10.3) et le câble de sortie Négatif du chargeur de batterie (Câble A) est relié à la borne positive de la première batterie (Batterie 1 dans la Fig. 9.2) ou à la borne Négative de la première chaîne de batteries (Batterie 1 de la Chaîne de batteries 1 comme dans la Fig. 9.3), les conditions anormales suivantes en résulteront :

- Les résistances des câbles de connexion ne seront pas équilibrées.
- Les batteries individuelles auront des résistances en série différentes.
- Toutes les batteries individuelles seront rechargées à des différents courants de charge et donc, atteindront un état complètement chargé à des moments différents.
- La batterie avec une plus faible résistance en série nécessitera moins de temps pour être chargée par rapport à la batterie qui voit une plus grande résistance en série et donc, subira des surcharges et sa durée de vie sera réduite.

SECTION 10 | Entretien Périodique

Veillez vous assurer d'entretenir le système solaire dans la manière suivante:

- Inspectez les panneaux solaires et assurez-vous que la surface soit exempte de poussière, de saleté et d'autres débris, nettoyer avec un chiffon humide ou un nettoyant pour vitres, si nécessaire.
- Assurez-vous que tous les éléments structurels, les fixations mécaniques et les connexions électriques soient sûrs, propres et exempts de corrosion.
- Vérifier et maintenir le niveau d'électrolyte de la batterie à intervalles réguliers conformément aux • recommandations du fabricant de la batterie si un accumulateur au plomb-acide à pile liquide inondée est utilisée.
- Vérifiez et remplacez les composants endommagés au besoin.

SECTION 11 | Garantie

Garantie

La Kit de Panneau Solaire (SSP-100-KIT, SSP-150-KIT & SSP-200-KIT) et d'extension Samlex fabriquées par Samlex America Inc. (le « Garant ») sont garanties d'être exemptes de défauts de fabrication et de matériaux dans des conditions normales d'utilisation et de service. Cette garantie est en vigueur à partir de la date d'achat par l'utilisateur (l'« Acheteur »).

Les périodes de garantie pour les différents composants des trousseaux :

Panneau solaire de 100W/150W/200W :	Garantie de 5 ans sur la fabrication du produit
	Garantie de 10 ans sur la puissance de sortie à 90 %
	Garantie de 25 ans sur la puissance de sortie à 80 %
Ferrures de fixation et câblage :	Garantie de 5 ans sur la fabrication du produit

Pour une réclamation sur la garantie, l'acheteur doit contacter le lieu d'achat pour obtenir un numéro d'autorisation du retour. La pièce ou l'unité défectueuse doit être retournée aux frais de l'acheteur à l'endroit autorisé. Une déclaration écrite décrivant la nature du défaut, la date d'achat, le lieu d'achat, et le nom de l'acheteur, son adresse et son numéro de téléphone doivent également être inclus.

Si, après examen du Garant, le défaut se révèle être le résultat de fabrication ou de matériel défectueux, le matériel sera réparé ou remplacé, au choix du garant, sans frais, et retourné à l'acheteur aux frais du garant.

Aucun remboursement du prix d'achat sera accordé à l'Acheteur, à moins que le Garant ne soit pas en mesure de remédier au défaut après avoir bénéficié d'un nombre raisonnable d'occasions pour ce faire.

Le service de garantie sera effectué uniquement par le Garant. Toute tentative visant à remédier au défaut par une personne autre que le Garant annulera cette garantie.

Il n'y aura pas de garantie pour les défauts ou dommages causés par une mauvaise installation ou un mauvais raccordement, un abus ou un mauvais usage de l'équipement, y compris l'exposition à une chaleur excessive, à la pulvérisation d'eau douce ou de mer ou l'immersion dans l'eau.

Aucune autre garantie expresse n'est accordée et il n'existe aucune garantie qui s'étend au-delà de celle décrite ici. Cette garantie remplace expressément toute autre garantie expresse ou implicite, y compris toute garantie implicite de qualité marchande, d'adéquation à l'application ordinaire pour laquelle ces biens sont utilisés, ou d'adéquation à un usage particulier, ou de toute autre obligation de la part du Garant ou de ses employés et représentants.

REJET DE RESPONSABILITÉ

Il n'y aura aucune responsabilité que ce soit de la part du Garant ou de ses employés et représentants pour des blessures à des personnes ou des dommages à une personne ou des personnes ou des dommages à la propriété, ou la perte de revenus ou de profits, ou de toute conséquence ou dommage résultant qui peuvent être déclarés avoir été engagés par l'utilisation ou la vente de l'équipement, y compris tout échec éventuel ou dysfonctionnement de l'équipement ou d'une partie de celui-ci.

Le garant n'assume aucune responsabilité pour les dommages directs ou indirects de toute nature.

Samlex America Inc. (le "Garant")

103 - 4268 Lozells Avenue
Burnaby, BC, V5A 0C6 Canada
604 525 3836

Contact Information

Numéros Sans Frais
Tél: 1 800 561 5885
Télé: 1 888 814 5210

Numéros locaux
Tél: 604 525 3836
Télé: 604 525 5221

Site internet
www.samlexamerica.com

Entrepôts USA
Kent, WA
Plymouth, MI

Entrepôt Canada
Richmond, BC

Adresse email pour
passer commande
orders@samlexamerica.com

