



**samlex**power®

**Evolution™ Series  
Inverter/Charger**  
Pure Sine Wave

**Models:**  
EVO-2212  
EVO-3012  
EVO-2224  
EVO-4024

Quick Start Guide

Firmware:  
EVO-XXXX: Rev 0.79  
EVO-RC: Rev 029

# EVO INVERTER/CHARGER | Quick Start Guide

Thank you for purchasing the Samlex Evolution™ (EVO™) Series Inverter Charger. We know you will enjoy many years of great service from this quality state-of-the-art product. Samlex Customer Service and Application Engineers are available to assist you with installation, setup, or operating instructions.

The EVO™ Inverter Charger is highly configurable for many different and specific applications. To get you up and running quickly, we have created this simple overview Reference Guide to assist you with the basic setup procedures so that you may later configure for your specific needs.

## 1. What's in the Box



	EVO-2212	EVO-2224	EVO-3012	EVO-4024
EVO™ Inverter Charger	1	1	1	1
EVO™ Owner's Manual	1	1	1	1
EVO™ Quick Start Guide	1	1	1	1
EVO-RC Owner's Manual	1	1	1	1
EVO-BCTS	1	1	1	1
Mating Connectors	3	3	3	3
Insulated Cord End Terminals AWG#10	3	3	-	-
Insulated Cord End Terminals AWG#8	6	6	9	9
Insulated Cord End Terminals AWG#6	-	-	6	6

- Contact your supplier if any of the items is missing. If any damage is observed, do not proceed with the installation of the EVO™.
- Check that the model and specifications are correct (e.g. 12 or 24 Volt battery system, AC voltage and output power meets the load requirements).



# EVO INVERTER/CHARGER | Quick Start Guide

## 2. Read the entire EVO™ Owner's Manual as well as the Remote Control EVO-RC Owner's Manual

- Familiarize yourself with its contents prior to installation or operation. This Guide will frequently refer to specific pages in the Owner's Manual for detailed information.



### **WARNING!**

If there are any items in Sections 1, 2 or 3 of the Owner's Manual that you do not understand, do not attempt to install the unit yourself. For a safe and code compliant installation, consult a Certified Electrician who is familiar with Local and National Electrical Codes.



### **CAUTION!**

All electrical systems, both DC and AC, must be disconnected from the source during installation.

- Use of isolated tools is recommended
- Re-read the safety instructions in Section 1 of the EVO™ Owner's Manual



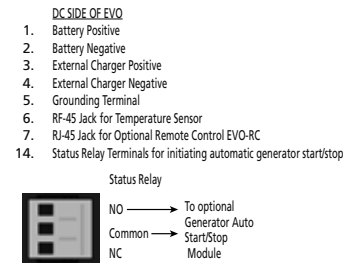
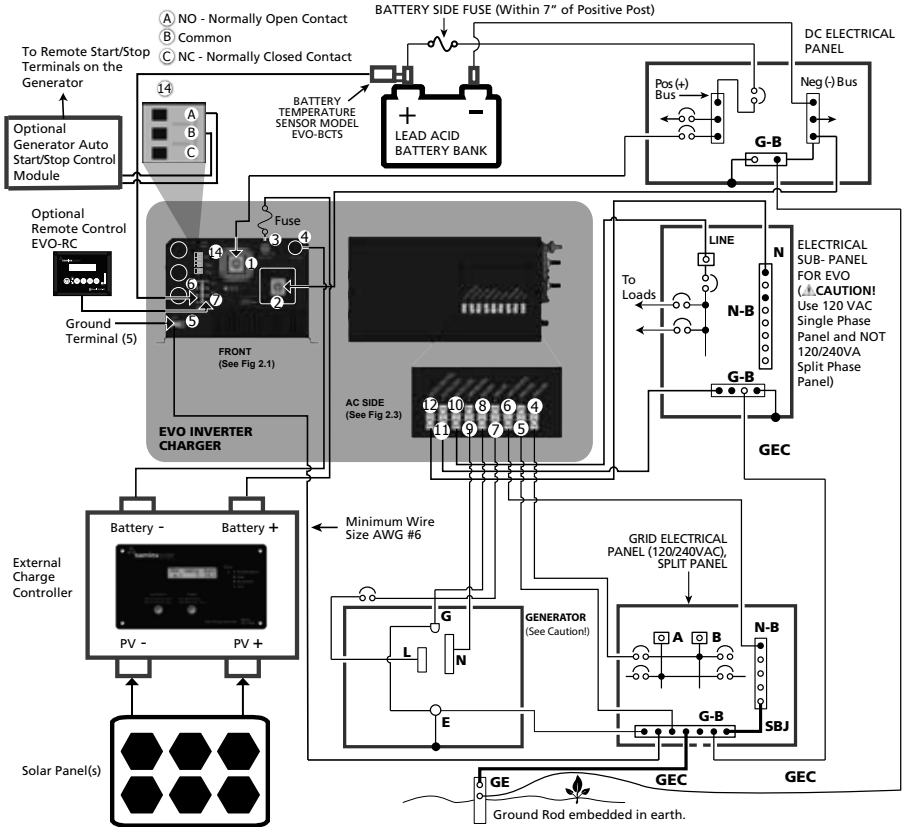
### **INFO**

This Guide provides basic steps required for planning the installing and operating EVO™ Series Inverter Charger based on the following typical installations:

- Typical Shore Based Installation: Fig 1
- Typical Mobile Installation: Figs 2A and 2B

Select the appropriate installation diagram for your application. Based on the specific application, actual installation procedure will vary. Plan the installation accordingly.

# EVO INVERTER/CHARGER | Quick Start Guide



- CAUTIONS!**
- When both the Grid and Generator are connected to the EVO™ simultaneously as shown in this Fig 3.14, please ensure that:
    - The generator chassis / frame is grounded to the Earth Ground through Ground Rod of the Grid Electrical Panel and
    - The Neutral conductor of the generator is **NOT** bonded to the chassis / frame of the generator. Please refer to Section 3.14.2.1 for details.
  - If only Generator is connected (no Grid connection), the Neutral of the Generator **SHOULD BE BONDED** to its metal frame. Please refer to Section 3.14.2.2

- ATTENTION!**
- Lorsque le réseau et le générateur sont connectés simultanément à l'EVO, comme indiqué sur la figure 3.14, veuillez vous assurer que :
    - Le générateur / châssis est relié à la masse de la Terre par l'intermédiaire de tige de mise à la terre du panneau électrique et grille
    - le conducteur neutre de la génératrice n'est pas collé sur le châssis / cadre de la génératrice. Veuillez vous reporter à la section 3.14.2.1 pour plus de détails.
  - Si seul le générateur est connecté (pas de connexion au réseau), le neutre du générateur **DOIT ÊTRE LIÉ** à son cadre métallique. Veuillez vous référer à la section 3.14.2.2

**Fig 1 Typical Shore Based Installation**

# EVO INVERTER/CHARGER | Quick Start Guide

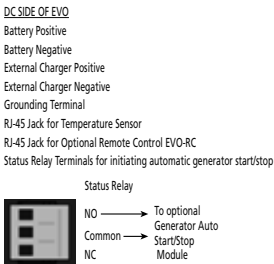
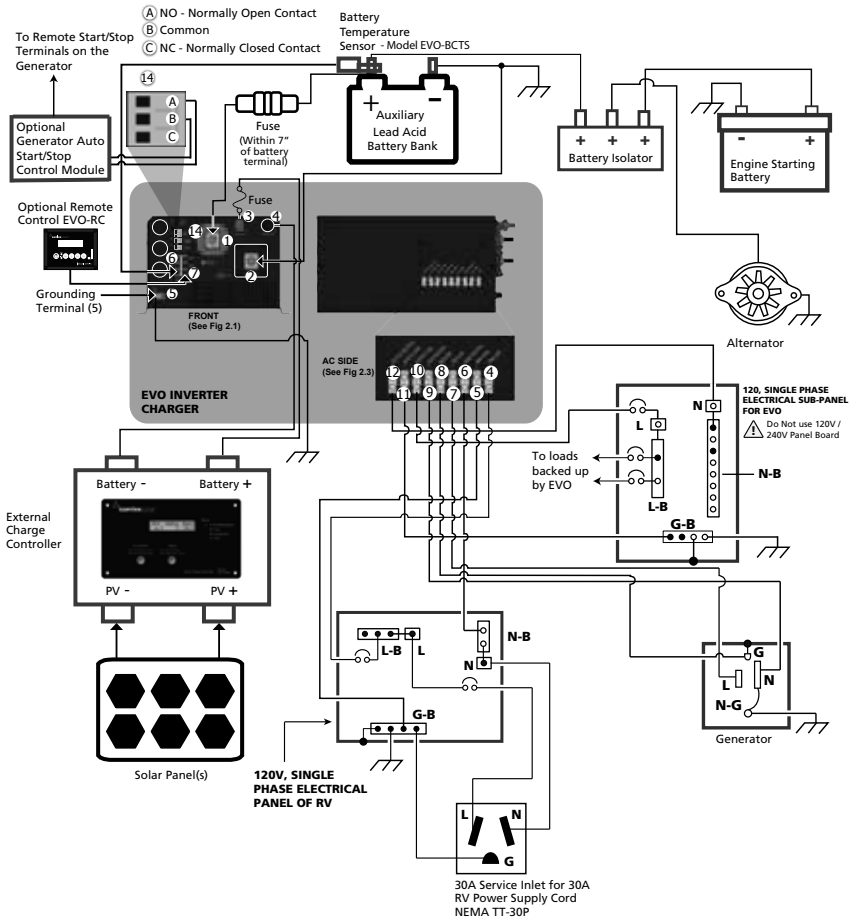
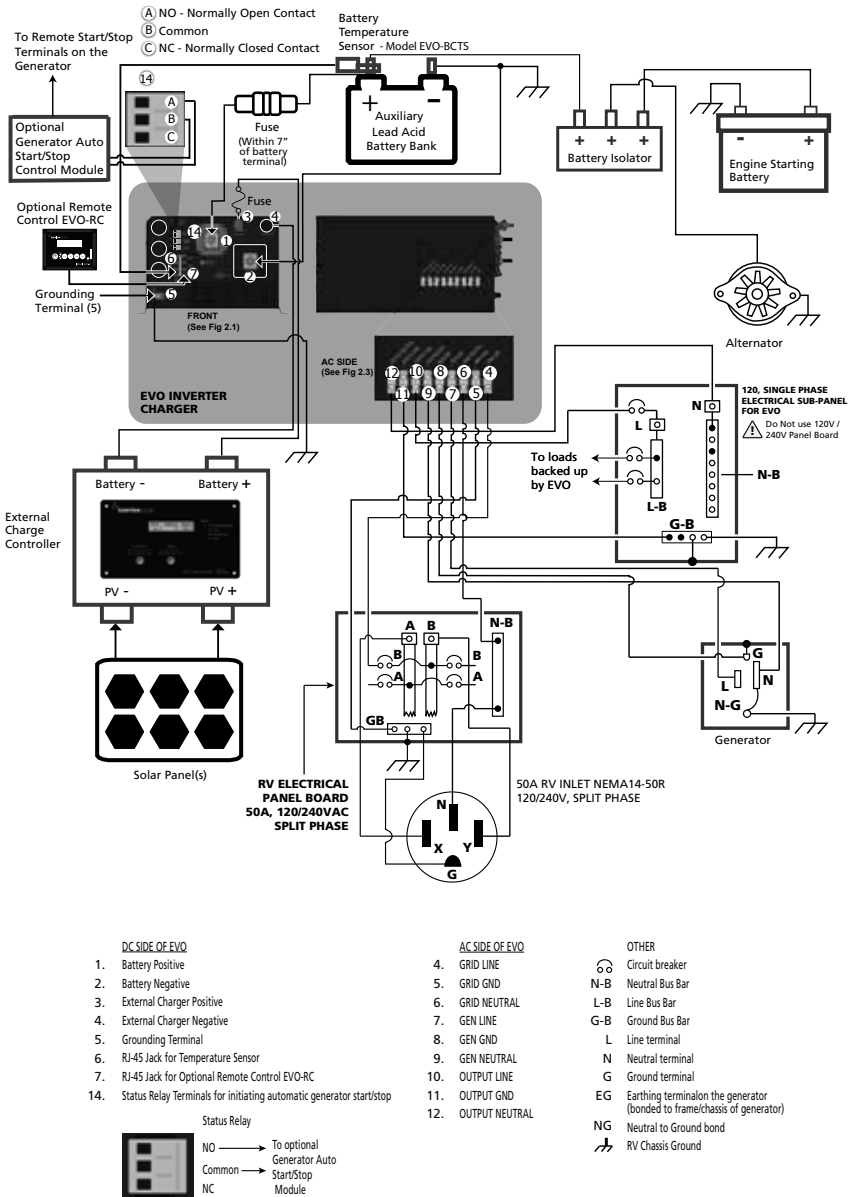


Fig 2A A Typical Mobile Installation Using 30A, 120 VAC, Single Phase RV Service Inlet

# EVO INVERTER/CHARGER | Quick Start Guide



**Fig 2B Typical Mobile Installation Using 50A, 120/240 VAC Split Phase RV Service Inlet**

# EVO INVERTER/CHARGER | Quick Start Guide

## 3. Layout of the EVO™

- Refer to Section 2 starting at page 30 of the EVO™ Owner's manual to become familiar with all the relevant connection points and components.

## 4. Mounting the Units

- Refer to mounting information at Section 3.3 starting at page 34 of the EVO™ Owner's Manual
- Plan a safe location and routing of wiring for the associated components
- Ensure the mounting surface is strong enough to support the weight of at least 60Kg/132lbs
- Ensure that the mounting location is cool, dry and allows unobstructed air flow for cooling
- Mounting requires four (quantity 4) M6 or ¼" bolts to secure the inverter horizontally or vertically on a wall with at least 8"/200 mm clearance around the unit. All dimensional information is shown in Fig 3.1 at page 34 of the EVO™ Owner's Manual.



### CAUTION!

PLAN SYSTEM GROUND AND GROUND FAULT PROTECTION PRIOR TO INSTALLATION

- Ensure that the entire installation is properly grounded to meet Local and National Electrical Codes.
- Refer to typical grounding arrangement at Fig 3.12 at page 54 of the EVO™ Owner's Manual.
- Ensure that the AC Neutral is bonded to the Earth Ground at only one point.

## 5. Plan the Battery Bank

- Select the type and size of the battery bank and bank configuration. Refer to Section 3.4 starting at page 36 of the EVO™ Owner's Manual regarding installation of batteries.
- Determine the overall Ah capacity (C) of the battery bank.
- Check with the battery manufacturer regarding maximum recommended charging current. The factory default "Bulk Current" parameter is set to 40A.
- Locate an appropriate area for the battery bank and cable routing to the EVO™.
- The EVO™ comes with a battery temperature sensor model EVO-BTS. This sensor provides battery temperature information to the charging algorithm to ensure a proper and safe charge to the battery. Refer to Section 2.5 starting at page 33 of the EVO™ Owner's Manual.
- An appropriately sized DC disconnect switch is recommended.

## 6. Select and procure the appropriate wire size and lengths for the intended type of installation along with the appropriate breaker/fuse sizes

- For sizing the AC input wiring and breakers, refer to TABLE 3.2 at page 50 of the EVO™ Owner's Manual.
- For sizing the AC output wiring and breaker, refer to TABLE 3.3 at page 52 of the EVO™ Owner's Manual.
- For sizing the DC (Battery side) wiring and fuse, refer to TABLE 3.1 at page 44 of the EVO™ Owner's Manual.

# EVO INVERTER/CHARGER | Quick Start Guide

## 7. Determine whether the optional EVO-RC remote control is necessary for your application

- The Optional EVO-RC Remote Control provides useful functional information such as battery voltage, battery charging status, and AC output power. EVO-RC Remote Control is also capable of logging events to an SD card to create a history record of usage and performance.
- EVO-RC Remote Control is required to adjust any of the programmable parameters to customize its functionality to your specific requirements. For all programming instructions, please refer to the EVO-RC Owner's Manual
- If the factory defaults are adequate for your requirements or once parameters are adjusted to meet your requirements, it is not necessary to keep the EVO-RC attached to the EVO™ Inverter Charger to maintain functionality.
- If the user would like to have the EVO-RC Remote Control installed, there is a 1:1 wall cutout template in the EVO-RC box for a flush mounted installation with basic installation instructions.



### **WARNING!**

If there are any items in Sections 1, 2 or 3 of the Owner's Manual that you do not understand, do not attempt to install the unit yourself. For a safe and code compliant installation, please consult a Certified Electrician that is familiar with Local and National electrical codes.

All electrical systems both DC and AC must be disconnected from the source during the installation. Use of isolated tools is recommended.

## 8. You are now ready to install the EVO™ Inverter Charger

- Re-read Section 3, starting page 34 of the EVO™ Owner's Manual
- Mount the EVO™ in the planned location
- Mount, cable, and attach the optional EVO-RC Remote Control, if desired
- Install AC Input and AC output wiring and breakers
- Install the battery bank in the planned configuration
- Connect the battery bank to the EVO™ Inverter Charger
- Recheck all wiring, grounding, and connections

## 9. If all wiring, grounding, and connections are correct, complete the installation

- Tighten cable glands
- Install DC terminal covers
- Replace AC access cover
- Place DC fuse in fuse holder. When placing this fuse a spark can occur.
- Switch on the DC
- Switch on the AC



# EVO INVERTER/CHARGER | Quick Start Guide

## 10. Switch on the EVO™ Inverter Charger. Refer to Section 6 starting at page 109 of the EVO™ Owner's Manual

- Press and hold the ON/OFF Button.
- Green LED labeled "ON" will flash 3 times, will go off momentarily, then resume ON steady. Now release the ON/OFF Button (This procedure takes around 2 sec).
- If the EVO does not start immediately, switch OFF the DC and AC power.
- Investigate the cause of the malfunction by referring to "Fault Messages and Troubleshooting Guide" in Table 7.1 of Section 7 of the EVO-RC Owner's Manual.



### INFO

The optional EVO-RC Remote Control provides the user with the ability to modify the EVO™ Inverter Charger's operating parameters. The default settings in EVO™ Inverter Charger are adequate for some installations but may have to be modified for others. It is strongly recommended that the user review the EVO™ Owner's Manual/ EVO-RC Remote Control Manual before putting any load or charging batteries.

## 11. Your EVO™ inverter Charger is delivered with various default configurations

The default values will depend on the model you have. Refer to Section 6.4.1 starting at Pages 113 through 117 for a listing of programmable parameters and factory default values. The Remote Control EVO-RC can be used to change these values.

## 12. The following parameters are the very basic parameters which may require modification depending on your configuration:

- Date and time
- Charging Voltages (Absorption, Equalization, Float)
- Charging current
- Power Saving Function



### CAUTION!



If you are not sure of what parameters you need to change or what values to change to, consult your point of purchase or call Samlex Tech Support. You should also consult a Certified Electrician who is familiar with Local and National Electrical Codes to ensure a safe and code compliant installation.

# EVO INVERTER/CHARGER | Quick Start Guide

## 13. The first parameter you should change is the Date and Time

Refer to Section 4.10 of the EVO-RC Owner's Manual).

To set time and date (no password required):

- Press Enter from any Operating Mode Screen.
- Screen  will appear. Press Up Key 6 times.
- Screen  will appear. Date and time syntax is YYYY/MM/DD HR:MM
- Cursor will blink on value to be changed.
- Press Up/Down to change value.
- Press Enter momentarily to move to next value.
- When Date and time is correct, press and hold Enter Key for a few seconds to write your settings.

You are done setting the time and date.

This Quick Start Guide provides basic steps required for planning the installing and operating EVO™ Series Inverter Charger. Based on the specific application, actual installation procedure will vary. Plan your installation accordingly. Please read the entire EVO™ Owner's Manual. Samlex Customer Service and Application Engineers are available to assist you with installation, setup, and operating instructions.



# Contact Information

Toll Free Numbers

Ph: 1 800 561 5885

Fax: 1 888 814 5210

Local Numbers

Ph: 604 525 3836

Fax: 604 525 5221

Website

[www.samlexamerica.com](http://www.samlexamerica.com)

USA Shipping Warehouses

Kent, WA

Plymouth, MI

Canadian Shipping Warehouse

Richmond, BC

Email purchase orders to

[orders@samlexamerica.com](mailto:orders@samlexamerica.com)



**samlex**america®