

S-5![®]

The Right Way![™]

S-5-N Clamp

S-5! introduces the new and improved S-5-N clamps. The new design features an innovative insert that ensures a superior fit for new and wider nail strip profiles as well as older ones.

The S-5-N (standard) clamp is the best choice for snow retention and other heavy and load-critical applications. It is designed for use on the most popular 1" nail strip metal roofs, including: Taylor Metal's Easy Lock[™], ASC Building Products' Skyline Roofing[®], McElroy Metal's Meridian, New Tech Machinery's FF100, Schlebach 1" Nail Strip, and roofing types with similar profiles.

S-5-N Mini Clamp

The S-5-N Mini offers correct fit to the same profiles as the standard S-5-N but is shorter and has one setscrew rather than two. The Mini is ideal for attaching various rooftop accessories, such as solar arrays, signs, walkways, satellite dishes, lightning protection systems, antennas, rooftop lighting, conduit, condensate lines and other lighter load applications*

*S-5! Mini clamps are not compatible with, and should not be used with S-5! SnoRail[™]/SnoFence[™] or ColorGard[®] snow retention systems.

NEW AND
IMPROVED



S-5-N and S-5-N Mini



FEATURES AND BENEFITS

- Angled setscrews for easier installation - no special tools required
- Fits seam profiles having base of rib dimension < .82"
- Structural aluminum (6061-T6) clamp body and 300 series SS fasteners offer superior corrosion resistance & strength
- Clamp insert to facilitate installation and fit
- New design ensures straighter clamp position on seam

The right way to attach almost anything to metal roofs!

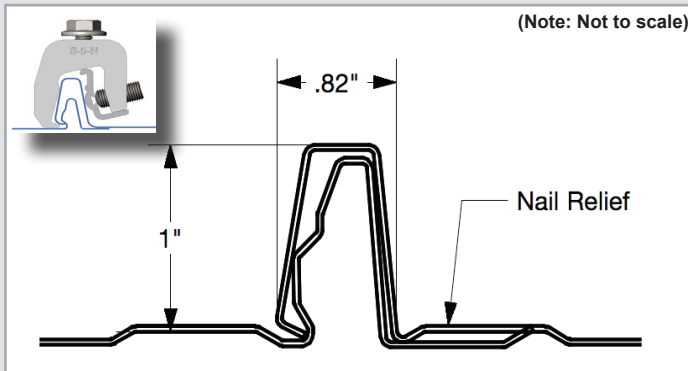


The new and improved S-5-N features angled setscrews, a wider throat, and an insert for easy installation and best fit for wider nail strip profiles.

The **S-5-N** and **S-5-N Mini clamps** are each supplied with the hardware shown to the right. Each box also includes a bit tip for tightening setscrews using an electric screw gun. The S-5-N is a structural aluminum attachment clamp, compatible with most common metal roofing materials (excluding copper). All included hardware is 300 series stainless steel.

S-5!® holding strength is unmatched in the industry.

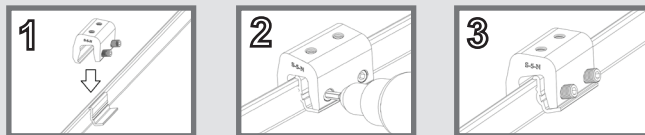
Fits Panels Up to .82"



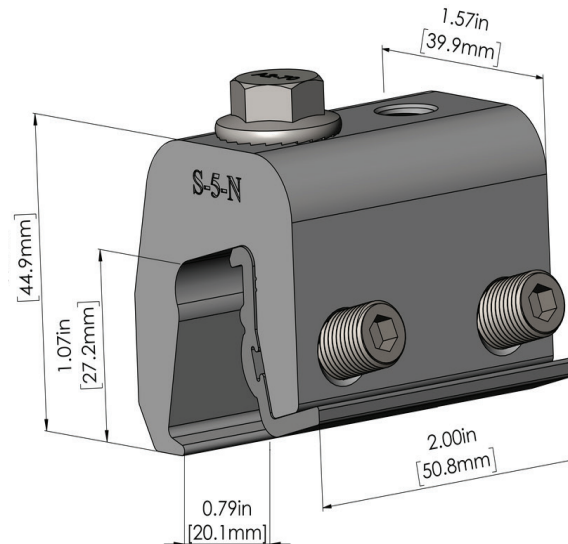
(NOTE: Seams that exceed maximum allowance at the widest part of the seam will require hand crimping to allow the clamp to fit).

Ease of Installation...in 1...2...3

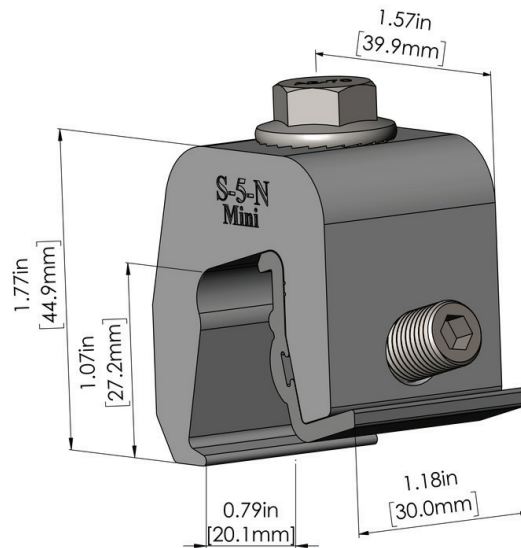
Installation Simplified: The S-5-N is still just as quick and easy to install as other S-5 clamps. But now, we've angled the setscrews toward the installer, allowing easier access with a screw gun, simplifying tool removal once the setscrew has been tightened - ensuring the clamp sits straighter on the seam. Choose the S-5-N for a non-penetrating solution that protects the roof while providing excellent holding strength.



S-5-N Clamp



S-5-N Mini Clamp



S-5!® Warning! Please use this product responsibly!

Products are protected by multiple U.S. and foreign patents. Visit the website at www.S-5.com for complete information on patents and trademarks. For maximum holding strength, setscrews should be tensioned and re-tensioned as the seam material compresses. Clamp setscrew tension should be verified using a calibrated torque wrench between 160 and 180 inch pounds when used on 22ga steel, and between 130 and 150 inch pounds for all other metals and thinner gauges of steel. Consult the S-5! website at www.S-5.com for published data regarding holding strength.

Copyright 2019, Metal Roof Innovations, Ltd. S-5! products are patent protected. S-5! aggressively protects its patents, trademarks, and copyrights. Version 020619.

Distributed by