



FW-IOB-D-120VAC

Input/Output/Bypass Assembly

Installation Instructions



The OutBack Power Systems FW-IOB-D-120VAC allows manual switching between the FX Series Inverter/Charger and a second AC source, facilitating maintenance and power continuity.

About OutBack Power Systems

OutBack Power Systems is a leader in advanced energy conversion technology. Our products include true sine wave inverter/chargers, a maximum power point charge controller, system communication components, as well as breaker panels, breakers, accessories, and assembled systems.

Notice of Copyright

FW-IOB-D-120VAC Installation Instructions
Copyright © 2006 All rights reserved.

Disclaimer

UNLESS SPECIFICALLY AGREED TO IN WRITING, OUTBACK POWER SYSTEMS:
(a) MAKES NO WARRANTY AS TO THE ACCURACY, SUFFICIENCY OR SUITABILITY OF ANY TECHNICAL OR OTHER INFORMATION PROVIDED IN ITS MANUALS OR OTHER DOCUMENTATION.
(b) ASSUMES NO RESPONSIBILITY OR LIABILITY FOR LOSS OR DAMAGE, WHETHER DIRECT, INDIRECT, CONSEQUENTIAL OR INCIDENTAL, WHICH MIGHT ARISE OUT OF THE USE OF SUCH INFORMATION. THE USE OF ANY SUCH INFORMATION WILL BE ENTIRELY AT THE USER'S RISK.

Date and Revision

June, 2008 REV D

Contact Information


OutBack Power Systems
19009 62nd Ave. NE
Arlington, WA 98223
Phone (360) 435-6030 • Fax (360) 435-6019
www.outbackpower.com

Requirements and Warnings

The OutBack FW-IOB-D-120VAC is intended as a system component and is included in a listing by ETL as indoor enclosures to UL standard UL 508A Industrial Control Panels.

This enclosure is intended for battery circuits configured for 12 to 48 volts nominal.

Grounding Instructions – Each enclosure should be connected to a grounded, permanent wiring system. For most installations, the negative battery conductor should be bonded to the grounding system at one (and only one) point in the DC system. All installations must comply with all national and local codes and ordinances. System grounding as required by the National Electric Code, ANSI /NFPA 70-1996, is the responsibility of the system installer.

The equipment ground is marked with this symbol: 

FW-IOB-D-120VAC Parts List

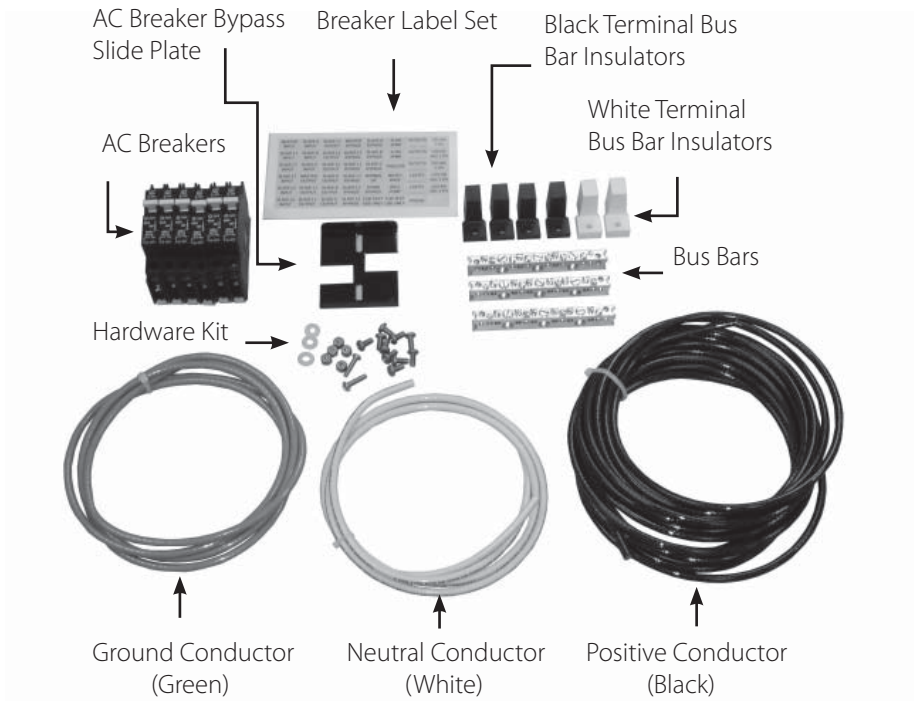
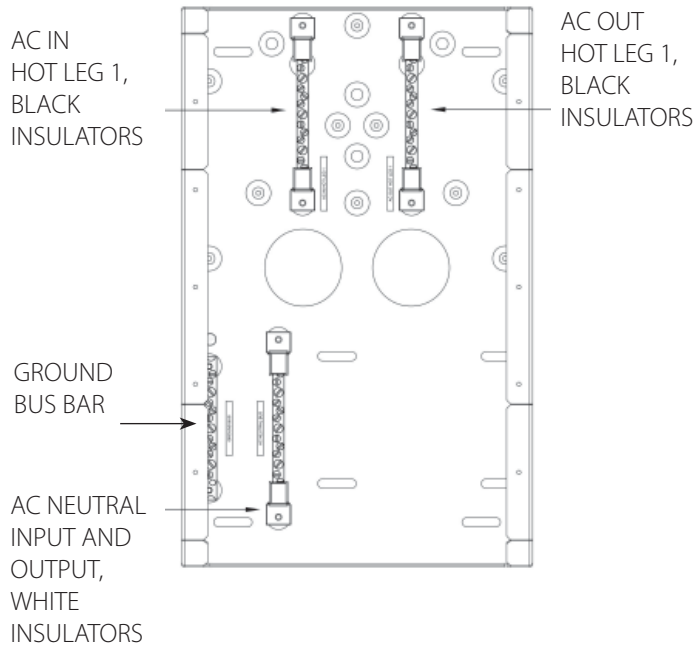


Figure 1: FW-IOB-D-120VAC



NOTE: Use 10-32 X 7/16 self-tapping stainless steel fasteners to secure this hardware.

Figure 2: Placement of Bus Bars

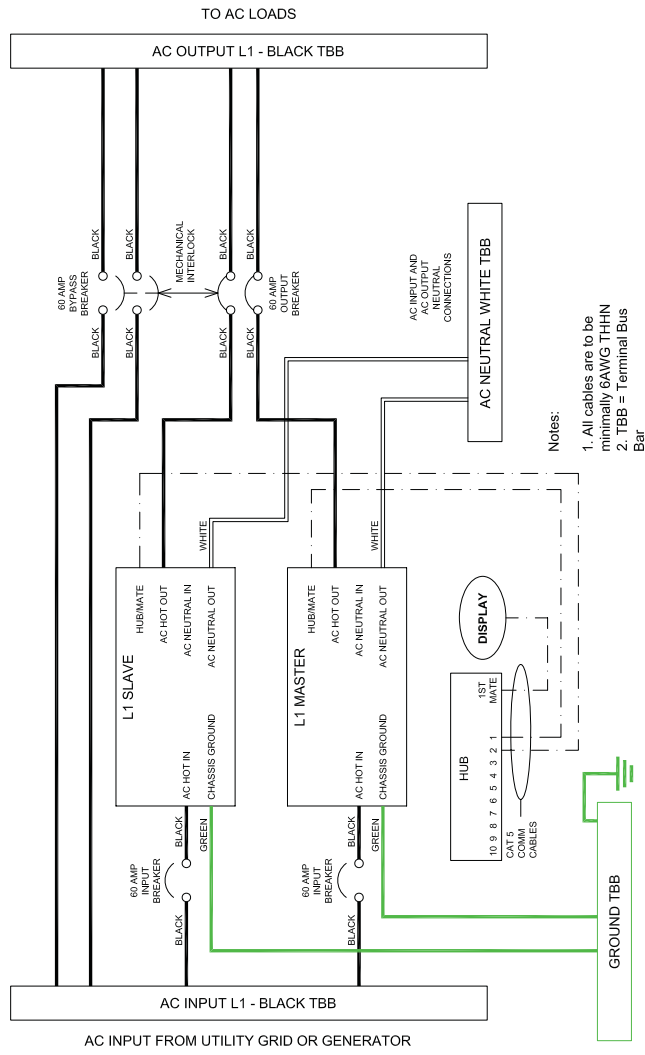


Figure 3: Sample Wiring Diagram

Installing the FW-IOB-D-120VAC

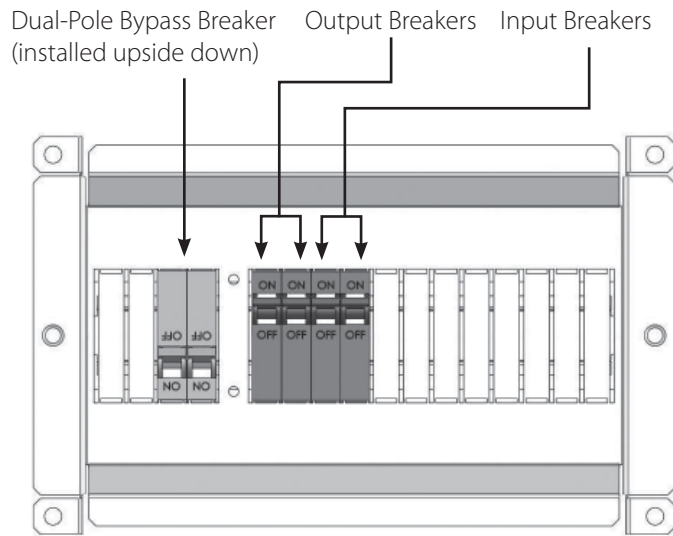


Figure 4: AC Breaker Installation for FW-IOB-D-120VAC

To install the FW-IOB-D-120VAC:

- Remove the appropriate quantity of breaker knockouts from the breaker bracket.
- Pull the yellow tabs out from each breaker.
- Install the breakers on the din rail to approximately match the openings in the breaker bracket.
- Hold the breaker bracket loosely against the breakers on the din rail; move the breakers as needed so they line up with the openings in the breaker bracket.
- With the breakers positioned properly, lock the yellow tabs to secure the breakers to the din rail.
- Install the AC Breaker Bypass Slide Plate (see Figure 5).

Installing the AC Breaker Bypass Slide Plate

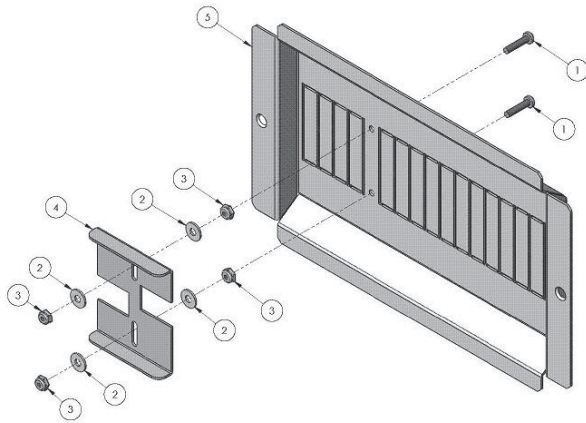


Figure 5: AC Breaker Bypass Slide Plate Installation

Parts:

1. 8-32 X .75 Machine Screw (2)
2. Nylon Washer (4)
3. 8-32 Nylock Nut (4)
4. AC Breaker Bypass Slide Plate (1)
5. FLEXware AC Breaker Bracket (1)

To Assemble:

1. Remove necessary circuit breaker knockouts (per IOB kit).
2. Install AC Breaker Bypass Slide Plate and fasteners as shown in Figure 5.
3. Do not over tighten the Nylock nuts. Overtightening can cause the AC Breaker Bypass Slide Plate to bind.