



SOLAR

PHOTOVOLTAIC BATTERIES

8G4D-DEKA

- Designed to provide reliable, long lasting back-up power for Photovoltaic (PV) and renewable energy applications where frequent deep cycles are required and minimum maintenance is desirable
- Reinforced case resists bulging and meets safety requirements
- Genuine Gel Technology
- Case & cover heat sealed and 100% tested to prevent leaks
- Computer-aided design and manufacturing control processes and standards to ensure quality products
- Applications: Water Pumping, Residential / Small Village, Cathodic Protection, Remote Monitoring, Lighting, Wind Generation, & Railway Signal.



SPECIFICATIONS

- Nominal Voltage:** 12-Volt
Rating: 183 Ampere-Hours @ 20 hr rate to 1.75 VPC
Positive Plate: Pure Lead, Calcium Alloy
Negative Plate: Pure Lead, Calcium Alloy
Container: Polypropylene
Safety Vent: Low positive pressure, self-sealing

PHOTOVOLTAIC CHARGING PARAMETERS

CHARGE TYPE	MAX. CURRENT (AMPS)	CONSTANT VOLTAGE
BULK CHARGE	30% OF 20HR RATE	
ABSORPTION (REGULATION) CHARGE		2.35 – 2.40 V.P.C.
FLOAT CHARGE		2.24 – 2.26 V.P.C.
EQUALIZE CHARGE		2.40 – 2.43 V.P.C.
TEMPERATURE COEFFICIENT	0.003 V / °C	

BATTERY PART NUMBER	PERFORMANCE (AH) ¹ TO 1.75 VPC		SHORT CIRCUIT CURRENT	TERMINAL TORQUE MAX. IN/LB (NM)	FOOT-NOTE	APPROX. WEIGHT		BATTERY DIMENSIONS							
	20 HR	100 HR				LB	KG	LENGTH		WIDTH		HEIGHT			
								IN	MM	IN	MM	TERMINAL	OVERALL		
12-VOLT SOLAR VRLA (Gel) MONOBLOC															
8G4D-HLT-DEKA	183.0	210.0	5530	50 (5.7)	2, 3	127.5	58.0	20.77	528	8.44	214	10.85	276	10.85	276
8G4D-HAP-DEKA				50 (5.7)	2, 3			20.77	528	8.44	214	9.89	254	9.89	251
8G4D-HEI-DEKA				100 (11.3)	4			20.77	528	8.44	214	8.96	228	9.34	237

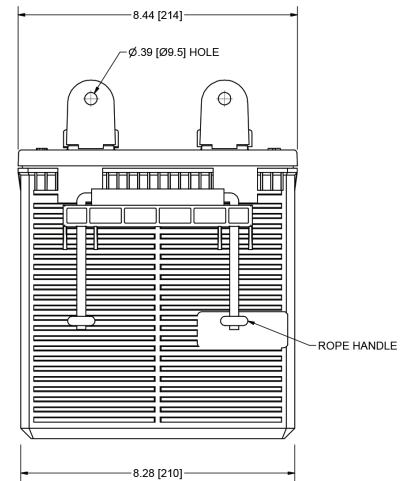
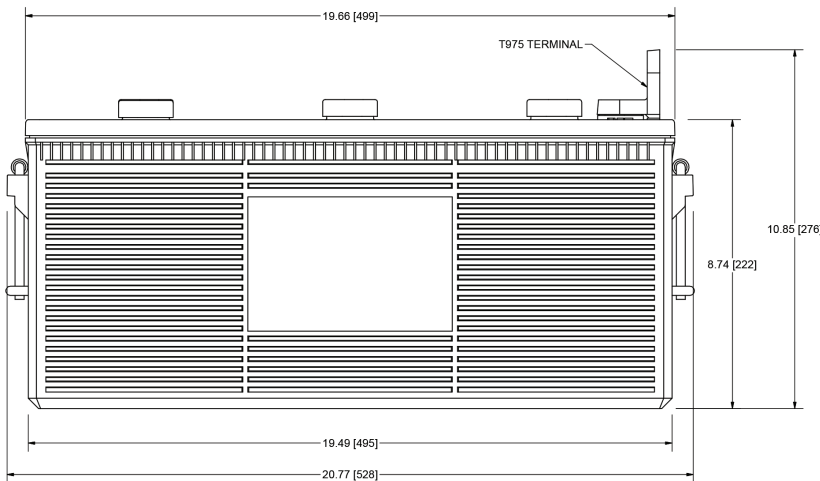
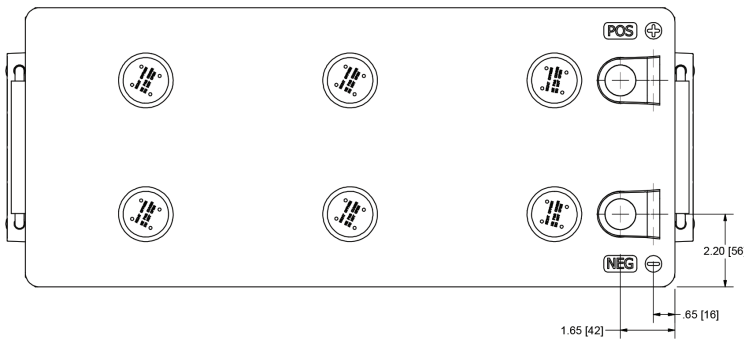
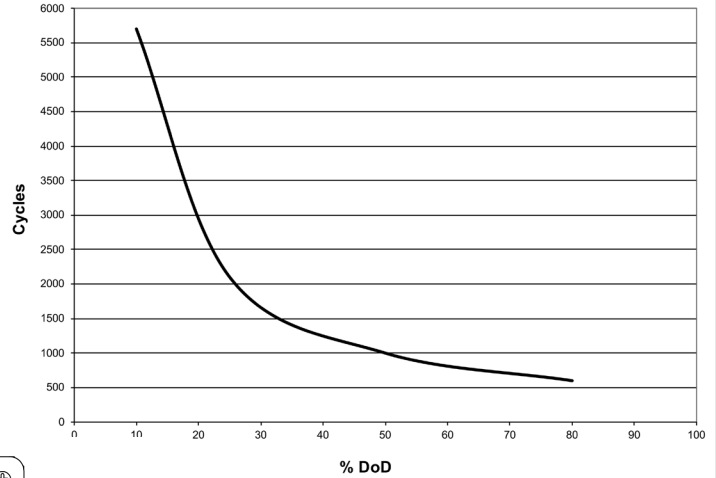
- 1 - Ratings after 15 cycles
- 2 - "Non-Spillable" as defined by DOT (Dept. of Transportation)
- 3 - "Non-Spillable" as defined by ICAO (International Commercial Airline Organization) and IATA (International Airline Transportation Association)
- 4 - UN2794 "Wet Filled with Acid" as defined by DOT (Dept. of Transportation)

Terminal Options:

8G4D-HLT-DEKA	8G4D-HAP-DEKA	8G4D-HEI-DEKA



GEL CYCLE LIFE VS. DEPTH OF DISCHARGE AT 25°C (77°F) BASED ON BCI-2HOUR CAPACITY



PROPOSITION 65 WARNING: Battery posts, terminals and related accessories contain lead and lead compounds, chemicals known to the State of California to cause cancer and reproductive harm. Batteries also contain other chemicals known to the State of California to cause cancer. **WASH HANDS AFTER HANDLING.**



QUALITY SYSTEM CERTIFIED
ISO 9001
IATF 16949
 ENVIRONMENTAL SYSTEM CERTIFIED
ISO 14001



East Penn Manufacturing Co. Subsidiary
 1-800-372-9253. www.mkbattery.com
 e-mail: sales@mkbattery.com