

# MAGNUM

## E N E R G Y

### Introduction

The MP-HOOD is designed to prevent objects from falling inside the top vents of the inverter, which can cause damage inside the inverter. Normally, Magnum inverters are mounted horizontally without any vents facing the top or bottom. However, in installations where these inverters are mounted on a vertical surface (DC side down) - such as on a MMP or MP enclosure - the MP-HOOD must be mounted above the inverter to meet UL regulatory requirements.

### Installation



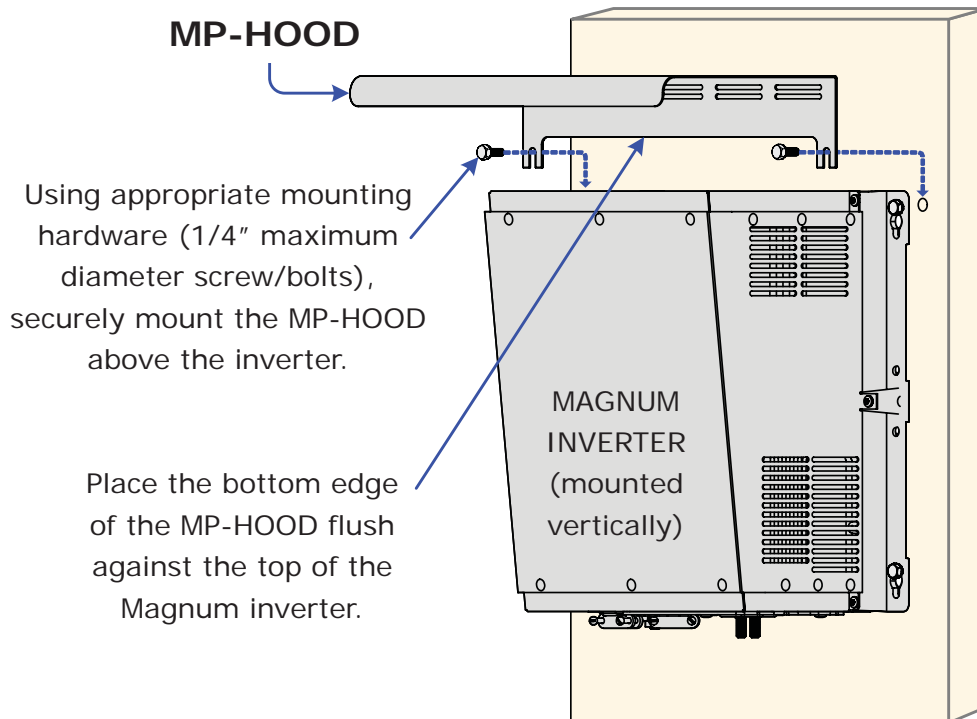
**Info:** The MP-HOOD does not mount to the inverter chassis, it must be mounted against the wall. The mounting slots on the MP-HOOD will accept up to a maximum 1/4 inch screw/bolt.



**CAUTION:** The MP-HOOD is not to be used as a drip shield to prevent water drip from entering the inverter.

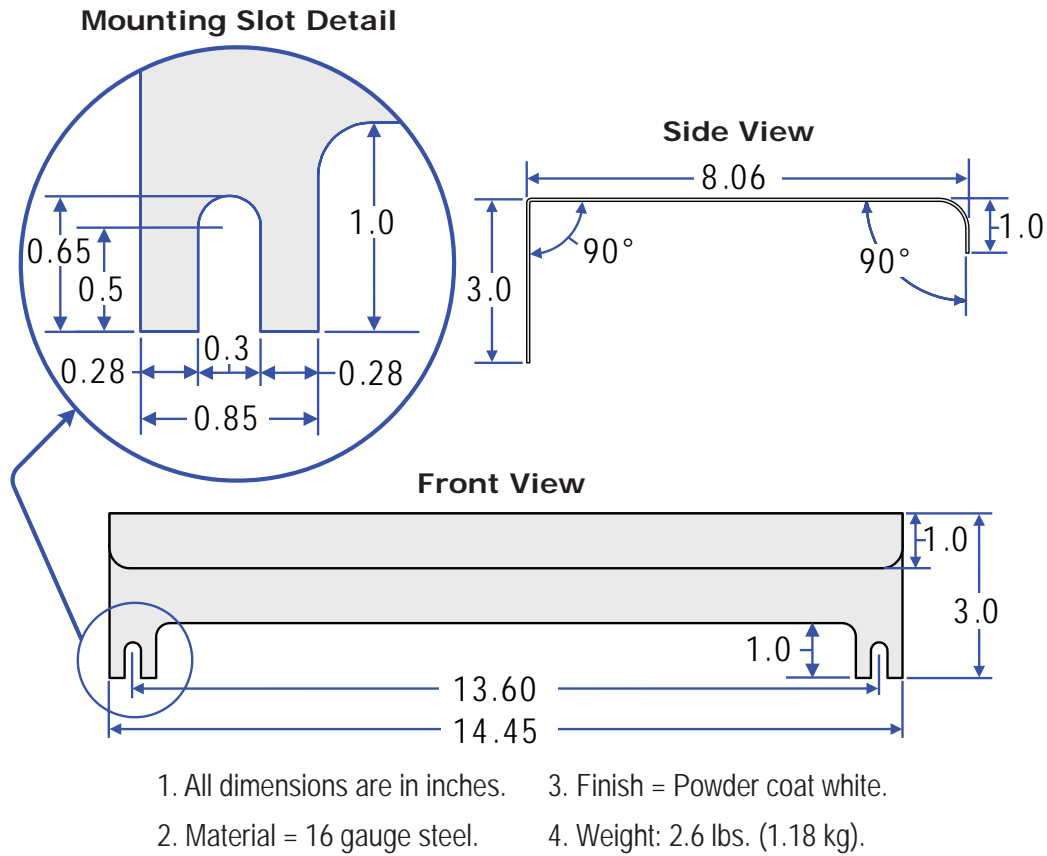
Refer to Figure 1 to install the MP-HOOD; ensure the following requirements:

1. The bottom edge of the MP-HOOD must be mounted flush against the top of the Magnum inverter; this is the optimal position for minimizing the risk of objects falling into the inverter, and at the same time providing the clearance needed for air flow from the top vents of the inverter.
2. Do not place anything on top of the MP-HOOD that might cause it to bend downward; or place anything on the sides to restrict air flow through the inverter.

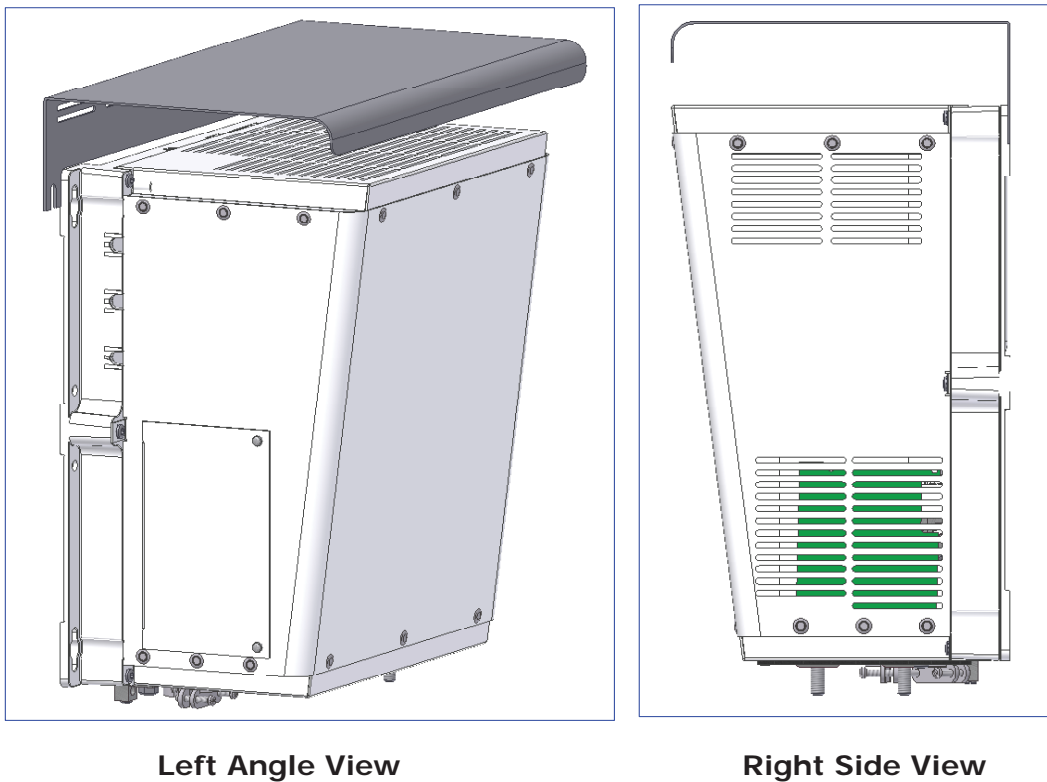


**Figure 1, Installing the MP-HOOD**

# MP-HOOD Instruction Sheet



**Figure 2, MP-HOOD Dimensions/Specs**



**Figure 3, MP-HOOD Views**