



Introduction

The ME-RSA Remote Switch Adapter allows users to connect an external switch to remotely turn the inverter ON and OFF. The ME-RSA requires a “maintain contact” or on/off type of switch to turn the inverter ON or OFF.

This Remote Switch Adapter is useful in applications where the inverter is located in an area that is not easy accessible and there is a requirement to conveniently turn the inverter on/off in place of a ME-RC remote panel.

The ME-RSA is simple to install and is designed to be used with inverters that provide a Stack port, such as the ME, MS, MS-AE and RD Series inverters.

Installation

Refer to figure 2 for the following steps to install the ME-RSA:

1. Crimp an appropriately sized wire to each butt-splice connector on the ME-RSA adapter and ensure a tight connection.



Info: The red butt-splice connectors on the ME-RSA adapter accept 22 to 18 AWG wire.

2. Connect the other end of the two wires to an external on/off switch. This external switch should “maintain” off or on when switched.
3. The ME-RSA adapter MUST be plugged into the Stack port on the inverter as shown in figure 1.

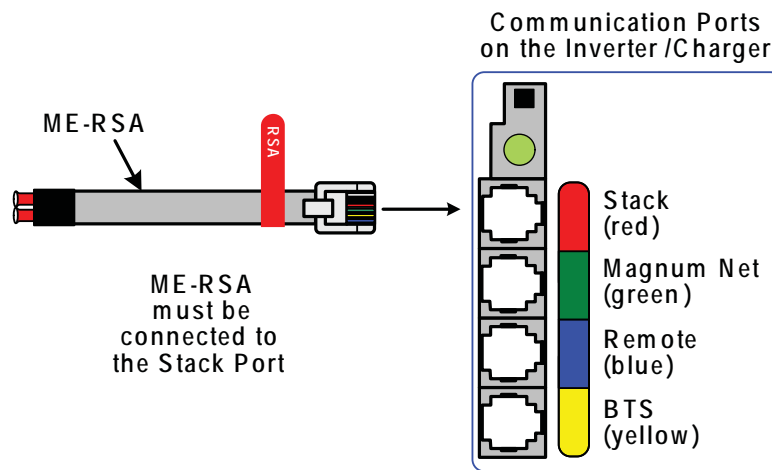


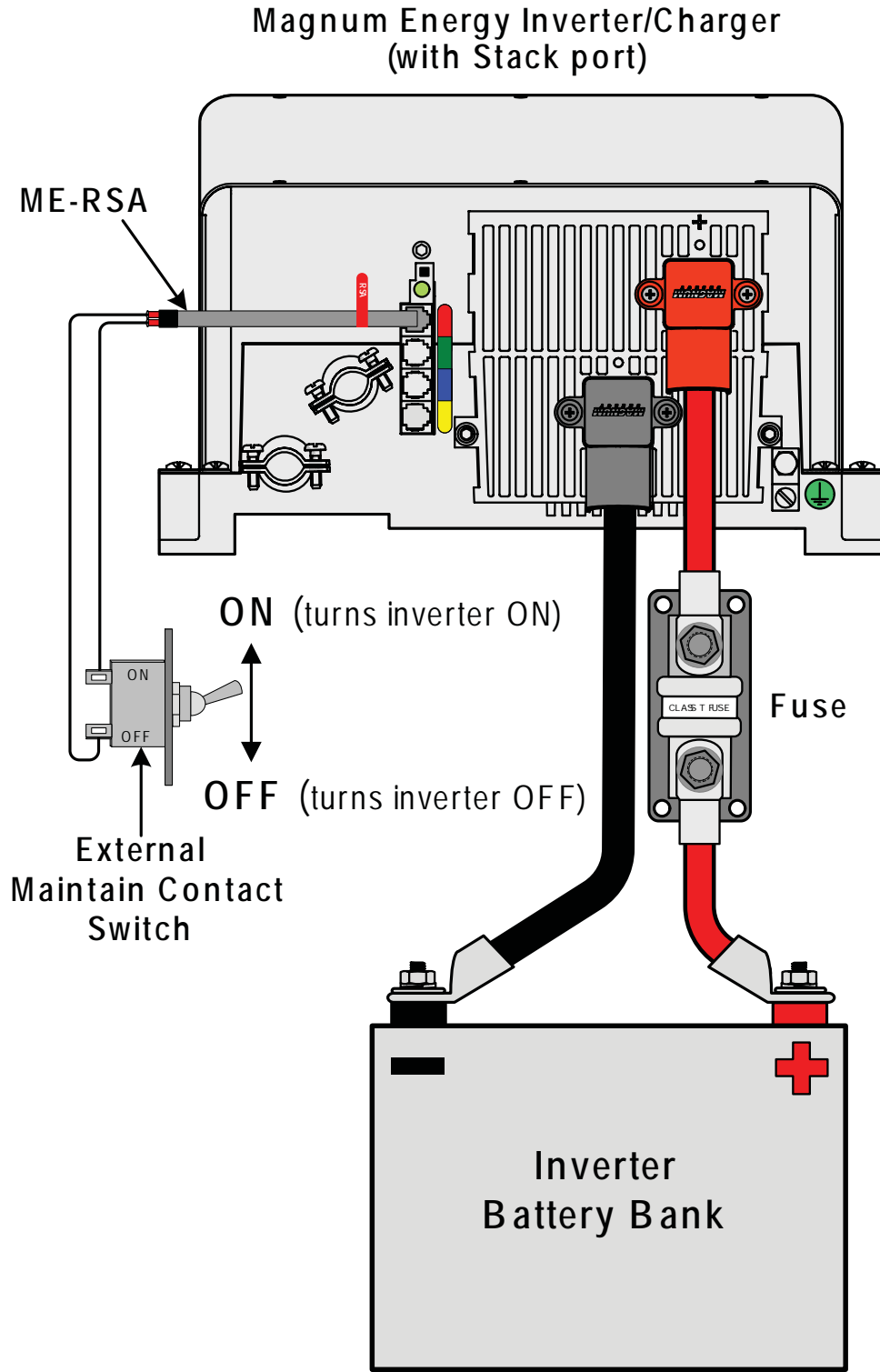
Figure 1, ME-RSA Connection to Inverter

Operation Steps

1. The ON/OFF button on the inverter (and ME-RC remote control, if connected) is **disabled** when the ME-RSA adapter is connected.
2. The inverter will turn on when the external switch is ON and turn off when the external switch is OFF.



Info: The charger will continue to function and is not affected by the ME-RSA adapter operation.



The ON/OFF button on the inverter (and ME-RC remote control, if connected) is disabled when the ME-RSA adapter is connected.

Figure 2, ME-RSA Installation