

Figure 4, ME-PT1 to ME-AGS-S Installation



Introduction

The ME-PT1 (pigtail one-wire) adapter connects to Magnum’s Auto Generator Start (ME-AGS) controller to allow the connected generator to start when an external +12-volt DC supply is applied. This is useful for applications in which there is a need to automatically turn the generator on/off externally, either through a manually controlled switch or from an automatically controlled switching device.

When +12-volts is supplied to this pigtail wire it causes the AGS controller to start and run the connected generator.

Info: The high temperature start feature on the AGS is not available when using the ME-PT1. However, the low battery voltage start feature is still available.

Installation/Setup – ME-AGS-N (Network Version)

The following pertains to the ME-PT1 when connected to the ME-AGS-N.

Info: Refer to the ME-AGS-N Owner’s Manual (64-0039) for installation, setup, and operation of the ME-AGS-N; and to the ME-RC (64-0003) or ME-ARC owner’s manuals (64-0030) for information on selecting/adjusting settings.

Installation

To install the ME-PT1, refer to Figure 1 and the steps below:

1. Connect the red wire on the ME-PT1 adapter to a +12-volt DC external switching device (i.e., switch).
2. Plug the ME-PT1 adapter into the REMOTE (purple) port on the ME-AGS-N.

Info: The remote temperature sensor that comes with the ME-AGS-N (normally plugged into the AGS’s REMOTE port) is not used when a ME-PT1 is connected.

Setup

When using the ME-PT1 with the ME-AGS-N, configure the ME-RC (or ME-ARC) to allow the ME-AGS-N to accept the external input from the ME-PT1.

- Find the temperature start setting—depending on your remote: ME-RC (under AGS/04 Start Temp F menu), or ME-ARC (under SETUP/04E Gen Run Temp/Start menu). Then, select the Start=Ext Input setting.

ME-PT1 to ME-AGS-N Operation

The type of external switch (i.e., “momentary” or “maintain”) connected to the ME-PT1 adapter determines how long the generator can run.

ME-RC

A. *Using a momentary type switch:* Pressing the switch causes the generator to run for the duration of a full run time cycle (as set in the AGS/03 Run Time Hour menu), and then stop.

B. *Using a maintain type switch:* If the switch is set to ON, the generator continues to run until the switch is set to OFF. Once the switch is set to OFF, the generator will continue to run for the remaining duration of the current run time cycle (as set in the AGS/03 Run Time Hour menu), and then stop.

ME-ARC

A. *Using a momentary type switch:* Pressing the switch causes the generator to run for two minutes, and then stop.

B. *Using a maintain type switch:* If the switch is set to ON, the generator continues to run until the switch is set to OFF. Once the switch is set to OFF, the generator will run for two minutes, and then stops.

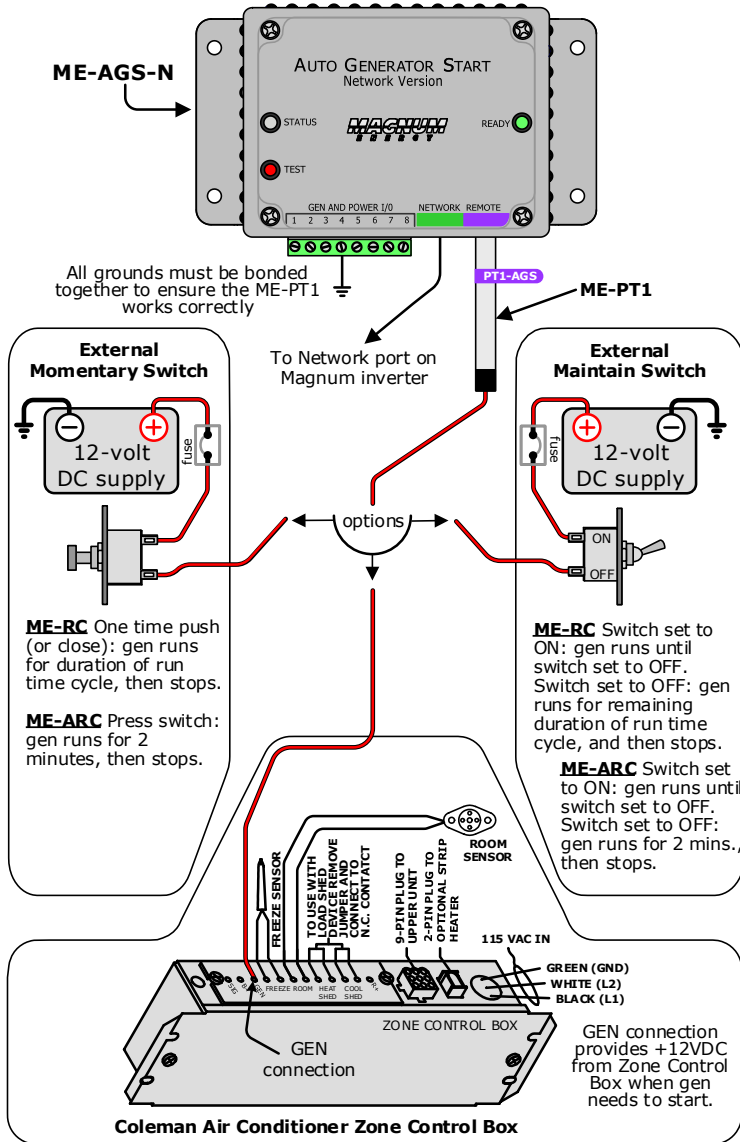


Figure 1, ME-PT1 to ME-AGS-N Installation

Installation/Setup – ME-AGS-S (Standalone Version)

The following pertains to the ME-PT1 when connected to the ME-AGS-S (Standalone Version) controller.



Info: Other than the specific installation and setup instructions listed below, refer to the ME-AGS-S Owner's Manual (64-0004) for installation, setup, and operation of the ME-AGS-S.

Installation

To prepare the ME-AGS-S remote switch:

1. Find the temperature sensor behind the remote switch's front plate. It is a small reddish looking device close to the metal front plate (see Figure 2).
2. Use a pair of small wire cutters to cut open one side of the temperature sensor wire (see Figure 3). Ensure the cut ends are not able to touch.

To install the ME-PT1 (refer to the steps below and Figure 4):

1. Plug a 6-conductor phone splitter into the REMOTE (purple) port on the ME-AGS-S controller.
2. Plug the ME-PT1 adapter into one of the phone splitter's ports, and then plug the remote switch—using its communications cable—into the phone splitter's other port.
3. Connect the red wire on the ME-PT1 adapter to a +12-volt DC external switching device (i.e., switch).

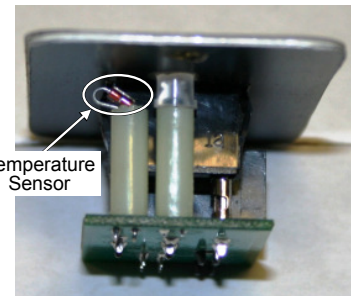


Figure 2, Locating Sensor

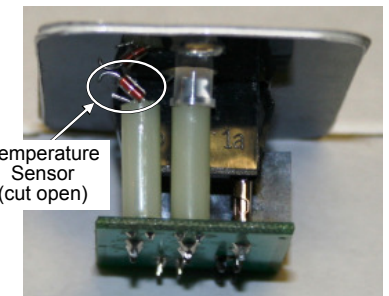


Figure 3, Sensor Cut Open

Setup

1. On the ME-AGS-S, turn the START TEMP F adjustment clockwise to any temperature position (**DO NOT** turn counterclockwise to OFF position).
2. Press the remote switch on the ME-AGS-S to the up (ENABLE) position.

ME-PT1 to ME-AGS-S Operation

The type of external switch (i.e., "maintain" or "momentary") connected to the ME-PT1 adapter determines how long the generator can run.

A. *Using a momentary type switch:* Pressing the switch causes the generator to run for the duration of the RUN TIME HOURS period, and then stop.

B. *Using a maintain type switch:* If the switch is set to OFF, the generator stays off. If the switch is set to ON, the generator runs until the switch is set to OFF. Once the switch is set to OFF, the generator will not stop until the current RUN TIME HOURS cycle has been satisfied.