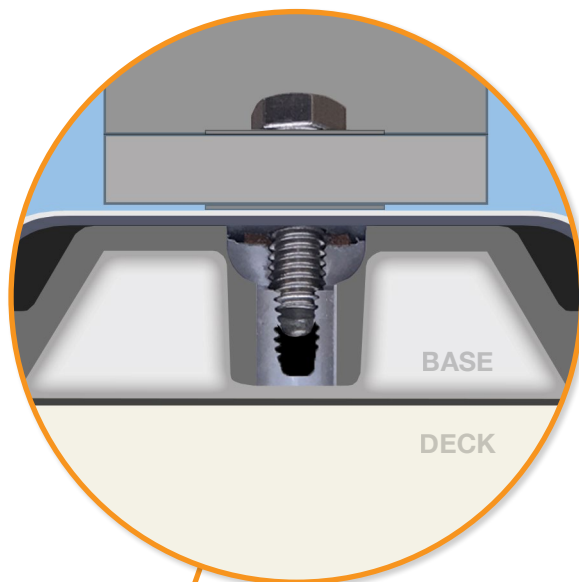


Engineering Down to the Deck

Low-slope roofs (0-6°) are extremely common in residential and commercial buildings, but the roof construction and the structural system below vary significantly, creating a challenge for designing solar arrays.

The IronRidge Flat Roof Attachment combines a high-strength cast aluminum base with a 16-point fastening pattern to enable the widest range of design options on low-sloped roofs. In addition, it is compatible with most common low-slope roofing materials to ensure a system that is easy to integrate down to the deck.



Built-in Waterproofing

Sealed from above with a "blind hole" and pre-installed sealing washer, Flat Roof Attachment delivers integrated waterproofing with popular roofing systems, including single-ply and asphaltic.

High-Strength Aluminum Base

Made from high-strength cast aluminum, the 7" wide, heavy-duty base delivers superior uplift and lateral capacity compared to any other product on the market.

Compatible Roof Membranes

Formed membrane covers are matched to major roofing brands to ensure a tested, engineered system for TPO, PVC, and KEE roofs. No additional sealant required.

16-Point Fastening Pattern

12-straight and 4-angled fastening options provide maximum capacity and versatility with wood, steel, decks, beams, and even concrete slabs.

Flashing Membrane Selection

Refer to table for selecting proper roof membrane. Contact support@ironridge.com for approved alternatives.

Roof Type					Other Sealing Methods	
Material	Thickness	Color	Brand	SKU		
TPO	60 mil	White	Carlisle	FRA-M60T-CA-W1		Henry's 957 Sealant (or similar)
			Firestone	FRA-M60T-FS-W1		
			GAF	FRA-M60T-GF-W1	Three-Course Method (with roof coating)	
			Johns Manville	FRA-M60T-JM-W1		
PVC	60 mil	White	GAF	FRA-M60P-GF-W1	Chem Link 9" E-Curb	
			Sika Sarnafil	FRA-M60P-SN-W1		
KEE	60 mil	White	Carlisle	FRA-M60K-CA-W1	Follow a Roofer's Recommendations	

Structural Selection

Refer to table to see how regional conditions, tilt angle, and rail size impacts the span between attachments.

Conditions			Rail Span					
Snow	Angle	Wind (MPH)	4'	5' 4"	6'	8'	10'	12'
0 PSF	5°	110						
		130						
		160						
	10°	110						
		130	XR10		XR100		XR1000	
		160						
	30°	110						
		130						
		160						
10-20 PSF	5°	110						
		130						
		160						
	10°	110						
		130						
		160						
	30°	110						
		130						
		160						
30-50 PSF	5°	110						
		130						
		160						
	10°	110						
		130						
		160						
	30°	110						
		130						
		160						

Values based on 72-cell modules in Wind Exposure Category B (ASCE 7-10)

