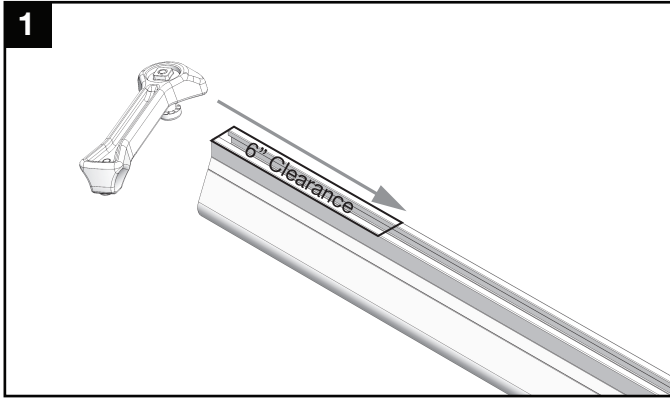


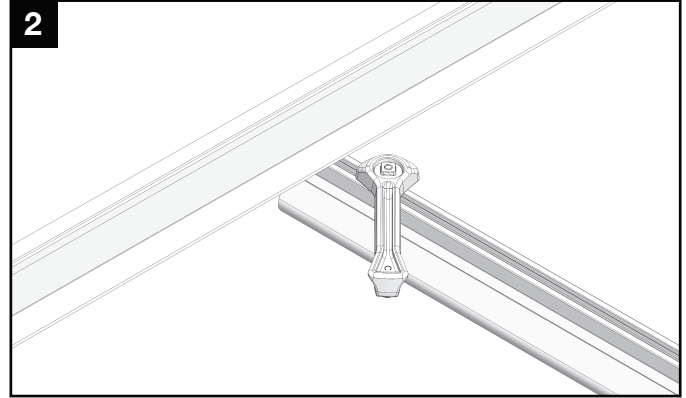
NO.	DESCRIPTION
1	HIDDEN END CAM (UNIVERSAL CLAMP)

<b>HIDDEN END CAM (UNIVERSAL CLAMP)</b>		
SIZE: <b>A</b>	DO NOT SCALE DRAWING	
SCALE:1:1	WEIGHT: 0.17 LBS	SHEET 1 OF 1

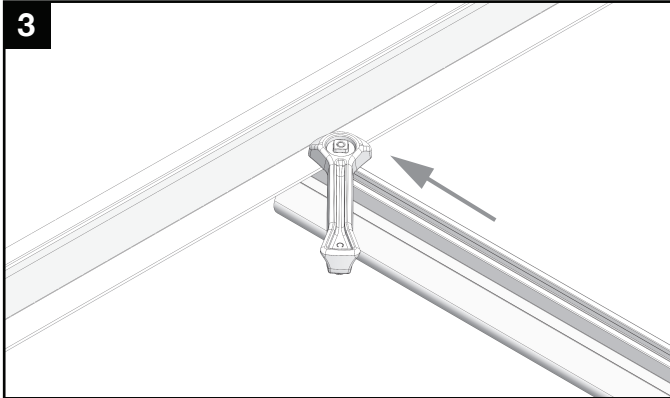
## Installation



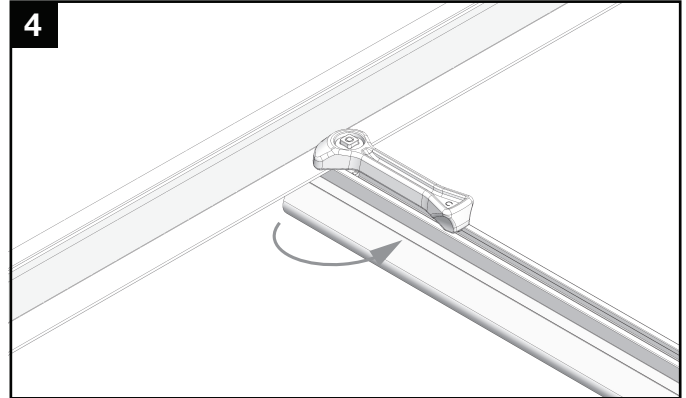
Slide CAMO into rail channel far enough to clear the module frame. CAMO requires 6" of clearance from end of rail.



Place module on rails (module cells not shown for clarity).

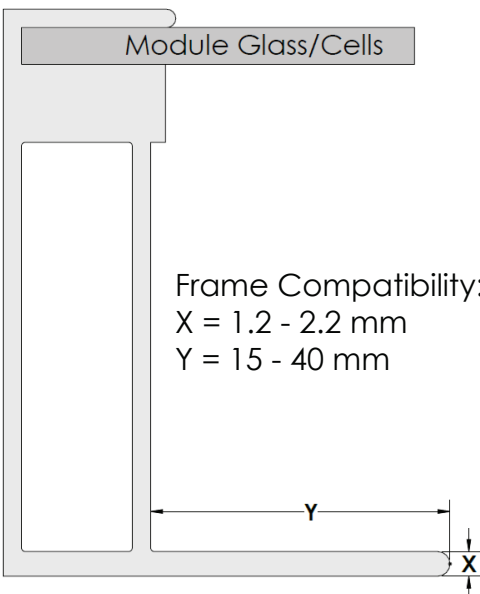


Pull CAMO towards rail ends, at 45 deg angle, so the bonding bolt contacts the module flange edge.



Rotate handle with an upwards motion until CAMO snaps into rail channel. Ensure Camo bonding pins are fully seated on top of module frame.

## Module Compatibility and Certifications



### UL 2703

Conforms to STD UL 2703 (2015) requirements. See IronRidge Flush, Tilt, or Ground Mount Manuals for full ratings and list of compatible modules.