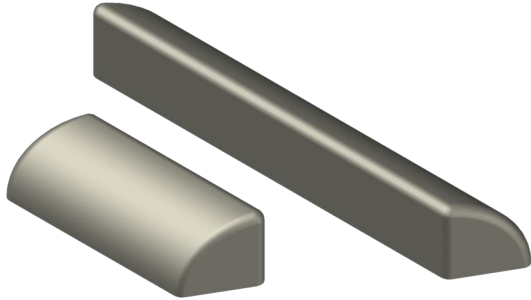


ChemCurb System

The *ChemCurb* penetration pieces consist of the following sizes:



ChemCurb Straights

6" & 12" straight sections used to lengthen the *ChemCurb*. Fit both curb sizes.

F1304P (6" - Gray)

-Contains 8 straights per carton only.

F1303P (12" - Gray)

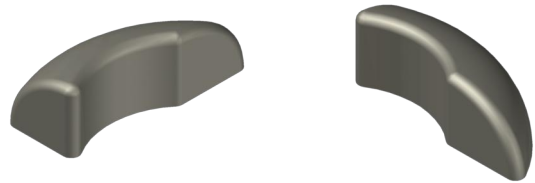
-Contains 8 straights per carton only.

ChemCurb Corners

2" corner pieces used with straight sections to make box shapes.

F1305P (Gray)

-Contains 8 Corners per carton only.



ChemCurb Diameter Rounds

5" diameter ID round consisting of (2) 2.5" radius pcs.

F1302P (Gray)

-Contains 6 curbs per carton only.

F1307P (1-Part Gray Kit)

-Contains 3 curbs per carton with (1) 1/2 gallon pouch of 1-Part™ Pourable Sealant and (2) 10.1 oz. cartridges of M-1® Structural Sealant.



7.5" Diameter ID round consisting of (2) 3.75" radius pcs.

F1301P (Gray)

-Contains 4 curbs per carton only.

F1306P (1-Part Gray Kit)

-Contains 2 curbs per carton with (2) 1/2 gal. pouches of 1-Part™ Pourable Sealant and (2) 10.1 oz. cartridges of M-1® Structural Sealant.

F1300P (ProPack Kit)

-Contains 2 Curbs per carton with 1 gal. of PRO PACK™ black, two-part urethane sealer and (2) 10.1 oz. cartridges of M-1® Structural Sealant.



HOW TO CALCULATE CHEMCURB VOLUMES

Note: These figures represent volume of sealant needed for various sizes of curb combinations **without displacement for penetrations.** (To estimate exact volume needed, also figure volume of penetrations and subtract from volume of curbs.)

To figure volume of a square curb: Multiply length x width x depth, (2") x (quantity of curbs needed) the divide by 231 (in³ in a gal.) to get the number of gallons needed to fill the curb.

Note:

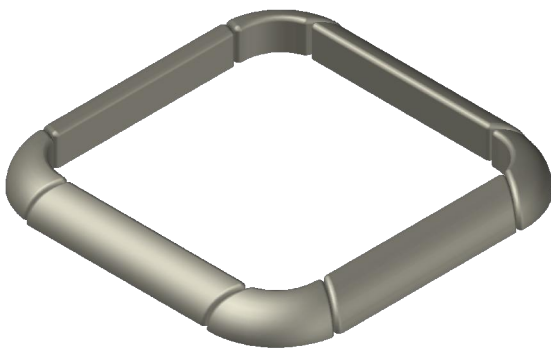
- One gal. pourable sealer = 231 in³
- One $\frac{1}{2}$ gal. pouch = 115.5 in³
- One 28 oz cartridge = 50 in³
- One 10.1 oz cartridge = 4.18 in³

Always figure 2" depth of ChemCurbs. Less invalidates warranty. A corner curb adds two inches to a straight curb on each end.

Examples:

Four 12" Straights + Four 2" Corners

Form a square 16" x 16" x 2" deep.
Multiply 16" x 16" x 2" = 512 in³
Divide 512 in³ by 231 = 2.21 gal



Four 6" Straights + Four 2" Corners

Form a square 10" x 10" x 2" deep.
Multiply 10" x 10" x 2" = 200 in³
Divide 200 in³ by 231 = 0.86 gal

7.5" round Curb + two 12" Straights

Form an oval 19.5" x 7.5" x 2" deep.
Multiply 19.5" x 7.5" x 2" = 285 in³
Divide 285 in³ by 231 = 1.23 gal

7.5" round Curb + two 6" Straights

Form an oval 13.5" x 7.5" x 2" deep.
Multiply 13.5" x 7.5" x 2" = 202.5 in³
Divide 202.5 in³ by 231 = 0.88 gal

5" round Curb + two 12" Straights

Form an oval 17" x 5" x 2" deep.
Multiply 17" x 5" x 2" = 170 in³
Divide 170 in³ by 231 = 0.73 gal

5" round Curb + two 6" Straights

Form an oval 11" x 5" x 2" deep.
Multiply 11" x 5" x 2" = 110 in³
Divide 110 in³ by 231 = 0.48 gal



To figure volume of a round curb: multiply (radius squared x 3.14 x depth) x (quantity of curbs needed) then divide by 231 (in³/gal) to get the number of gallons needed to fill the curb.

5" round Curb

Form a diameter 5" x 2" deep.
Multiply 2.5" squared x 3.14 x 2" = 39.27 in³
Divide 39.27 in³ by 231 = 0.17 gal

7.5" round Curb

Form a diameter 7.5" x 2" deep.
Multiply 3.75" squared x 3.14 x 2" = 88.31 in³
Divide 88.31 in³ by 231 = 0.38 gal



CONTACT INFORMATION:

Solarflexion 1-800-942-2424

Date: Sep 30, 2016

Title: ChemCurbs

Sheet: 2 of 16

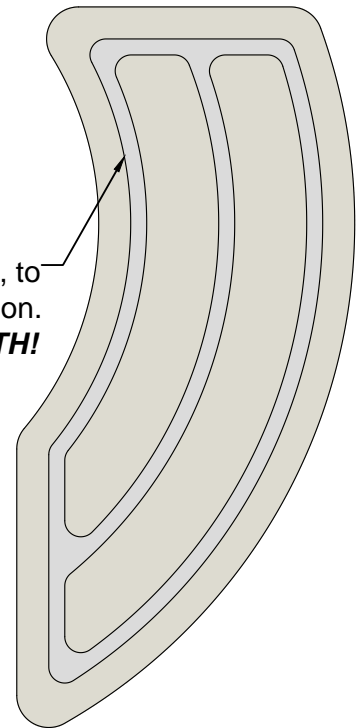
DRW #: CL-CC-02

Drawn by: Christian Appold

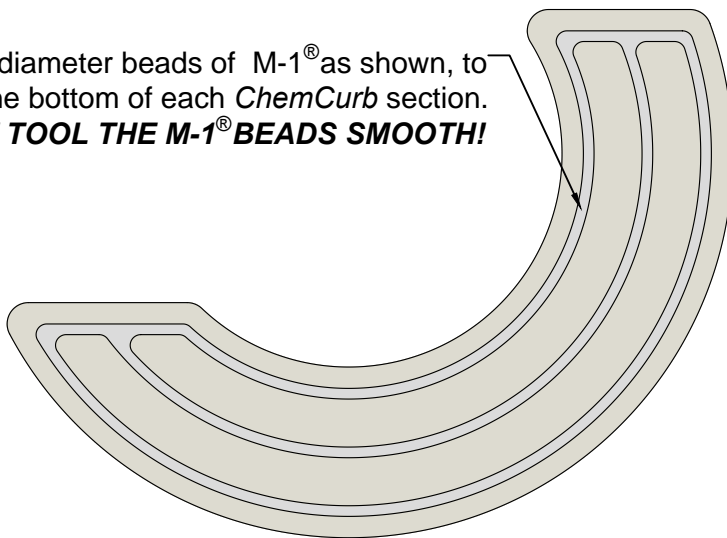
M-1 APPLICATION TO THE BOTTOM OF THE CHEMCURB SECTIONS



Apply $\frac{1}{4}$ " diameter beads of M-1[®] as shown, to the bottom of each ChemCurb section.
DO NOT TOOL THE M-1[®] BEADS SMOOTH!

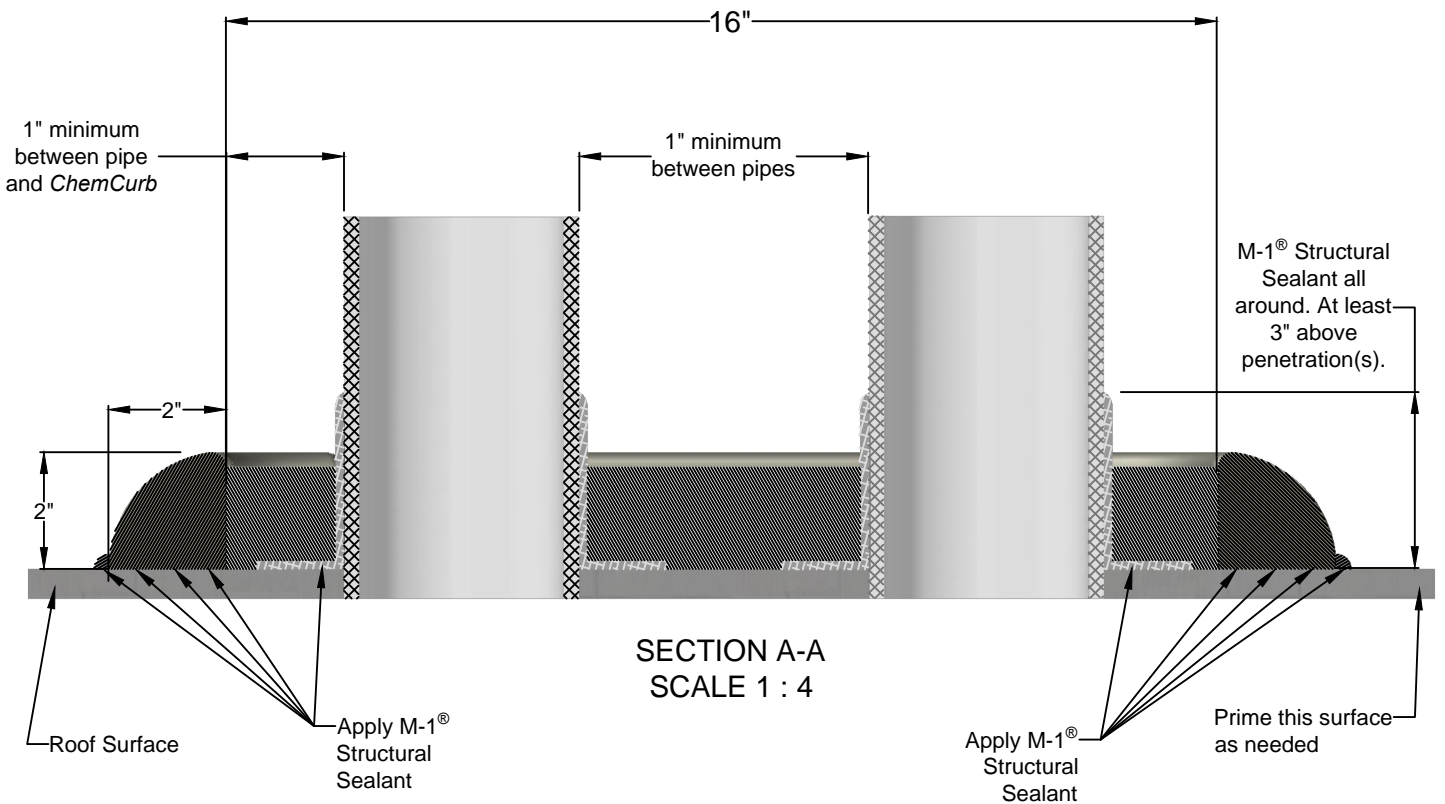
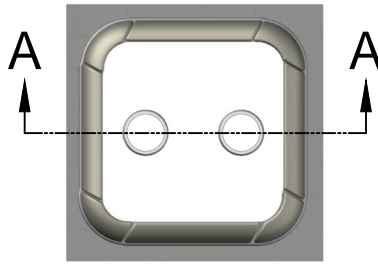


Apply $\frac{1}{4}$ " diameter beads of M-1[®] as shown, to the bottom of each ChemCurb section.
DO NOT TOOL THE M-1[®] BEADS SMOOTH!



Apply $\frac{1}{4}$ " diameter beads of M-1[®] as shown, to the bottom of each ChemCurb section.
DO NOT TOOL THE M-1[®] BEADS SMOOTH!

SECTION VIEW



CONTACT INFORMATION:

Solarflexion 1-800-942-2424

Date: May 12, 2013

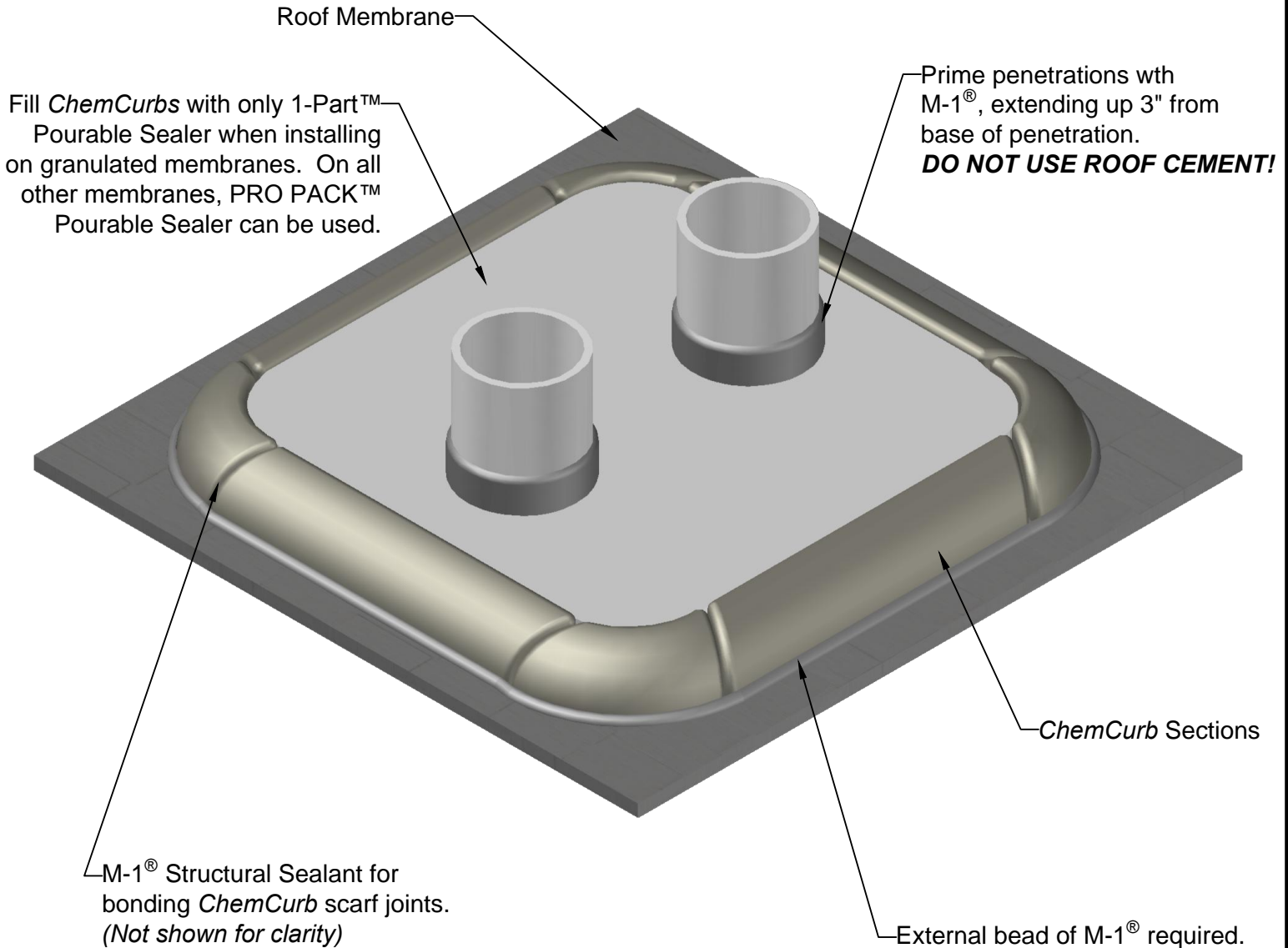
Title: ChemCurbs

Sheet: 4 of 16

DRW #: CL-CC-02

Drawn by: Christian Appold

STANDARD CHEMCURB DETAIL



A minimum 1" space is required between all penetrations and the interior wall of all ChemCurbs.



CONTACT INFORMATION:

Solarflexion 1-800-942-2424

Date: May 12, 2013

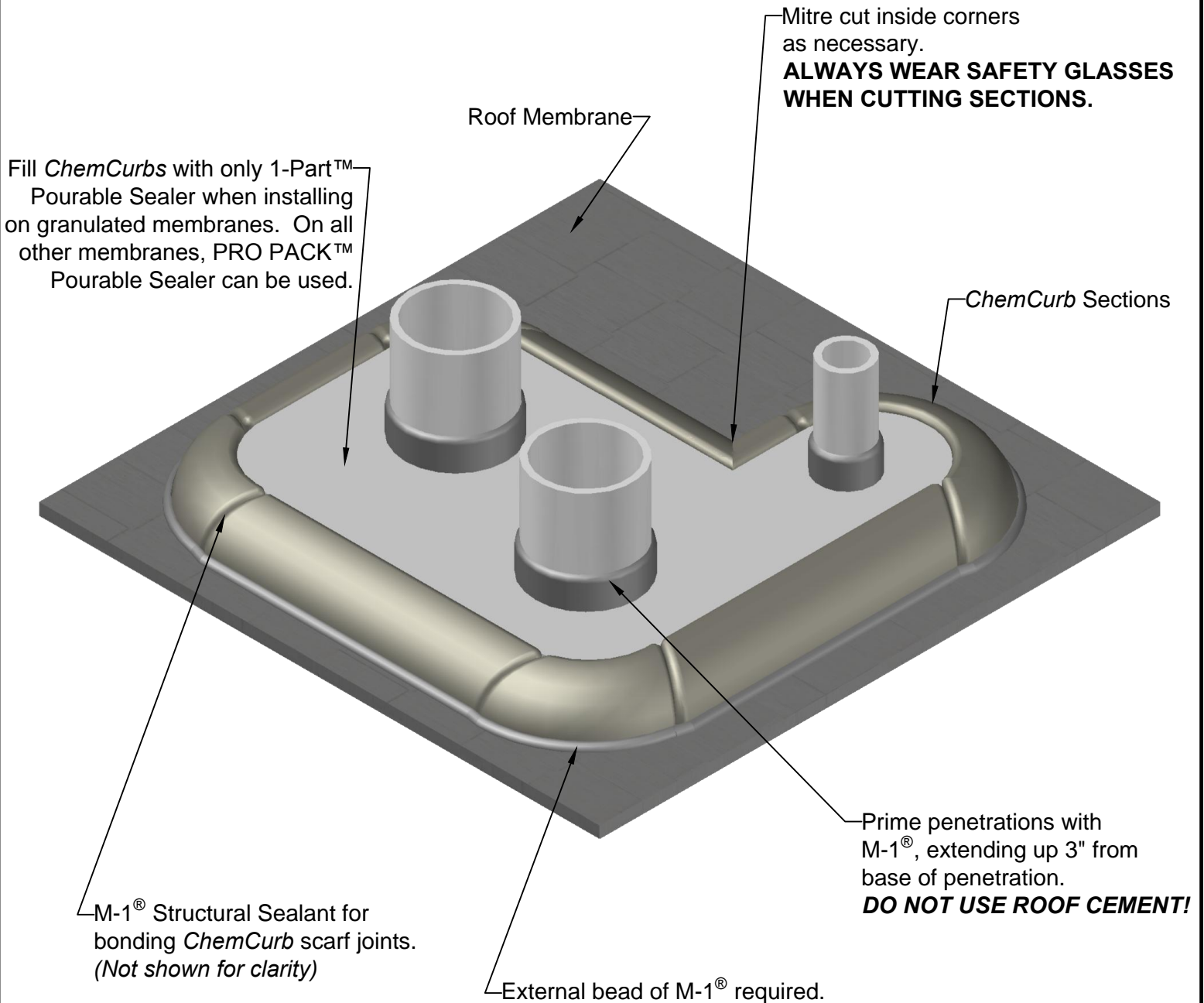
Title: ChemCurbs

Sheet: 5 of 16

DRW #: CL-CC-02

Drawn by: Christian Appold

L - SHAPED CONFIGURATION



A minimum 1" space is required between all penetrations and the interior wall of all ChemCurbs.



CONTACT INFORMATION:

Solarflexion 1-800-942-2424

Date: May 12, 2013

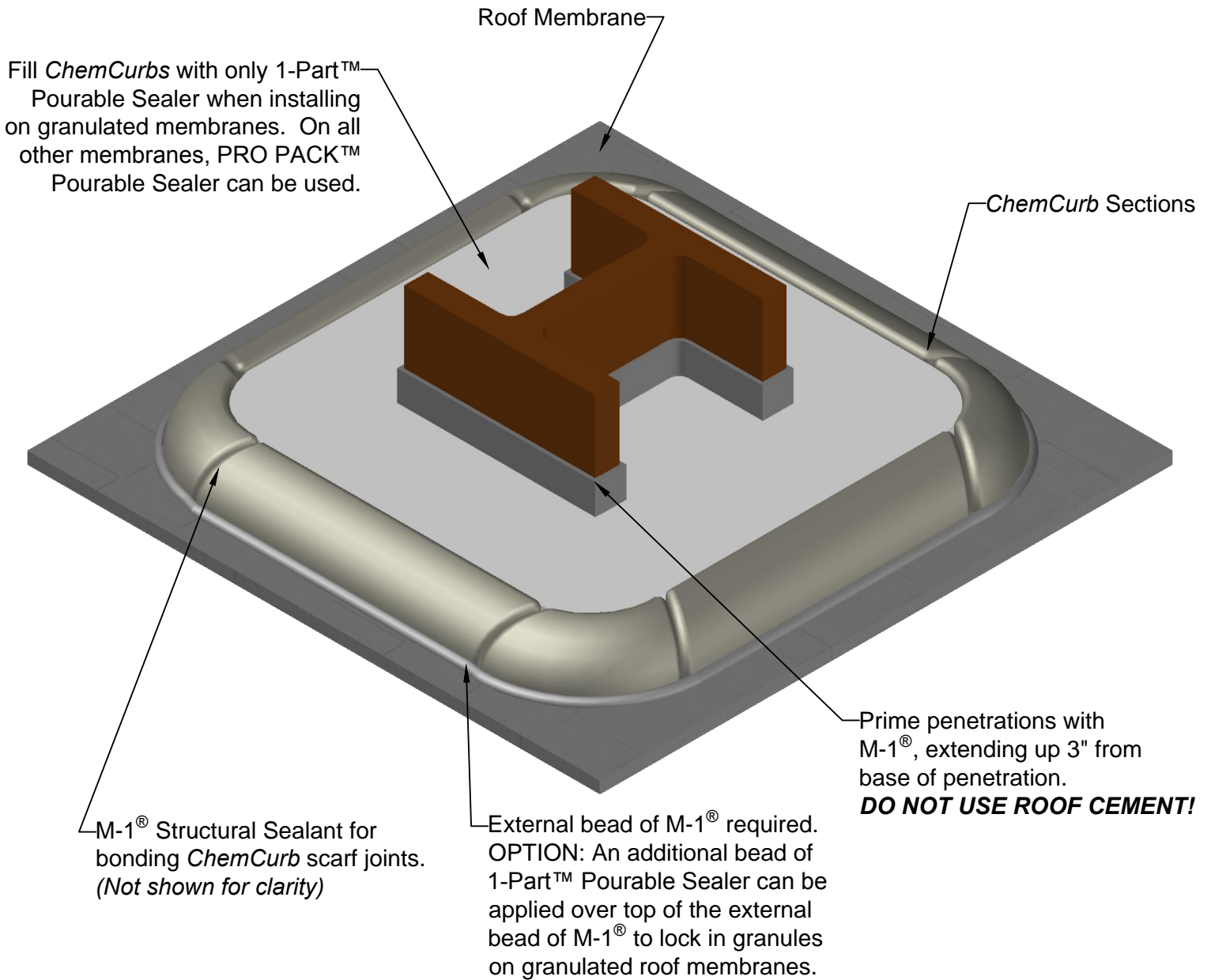
Title: ChemCurbs

Sheet: 6 of 16

DRW #: CL-CC-02

Drawn by: Christian Appold

H - BEAM PENETRATION



A minimum 1" space is required between all penetrations and the interior wall of all ChemCurbs.



CONTACT INFORMATION:

Solarflexion 1-800-942-2424

Date: May 12, 2013

Title: ChemCurbs

Sheet: 7 of 16

DRW #: CL-CC-02

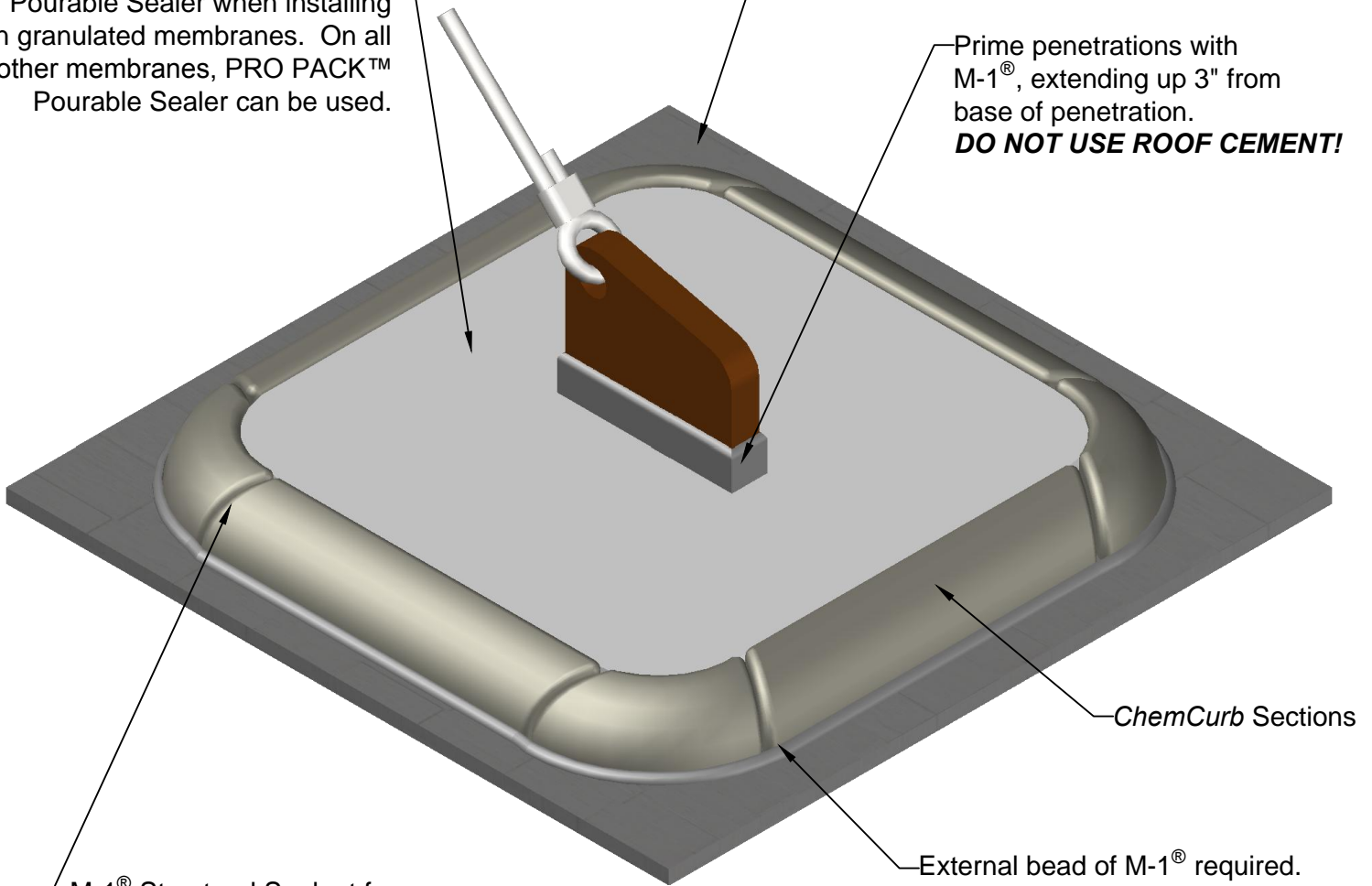
Drawn by: Christian Appold

CABLE SUPPORT PENETRATION

Fill *ChemCurbs* with only 1-Part™ Pourable Sealer when installing on granulated membranes. On all other membranes, PRO PACK™ Pourable Sealer can be used.

Roof Membrane

Prime penetrations with M-1®, extending up 3" from base of penetration.
DO NOT USE ROOF CEMENT!



M-1® Structural Sealant for bonding *ChemCurb* scarf joints.
(Not shown for clarity)

External bead of M-1® required.
OPTION: An additional bead of 1-Part™ Pourable Sealer can be applied over top of the external bead of M-1® to lock in granules on granulated roof membranes.

A minimum 1" space is required between all penetrations and the interior wall of all ChemCurbs.



CONTACT INFORMATION:

Solarflexion 1-800-942-2424

Date: May 12, 2013

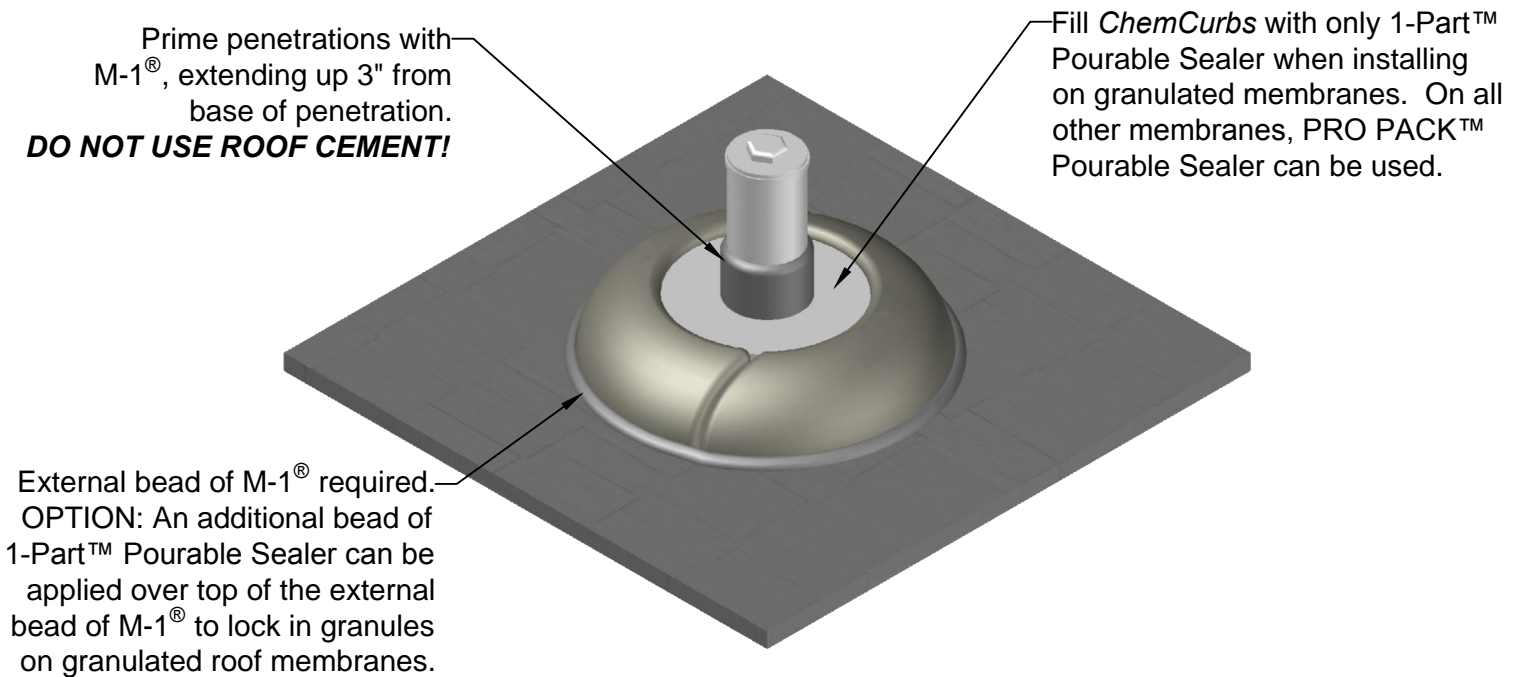
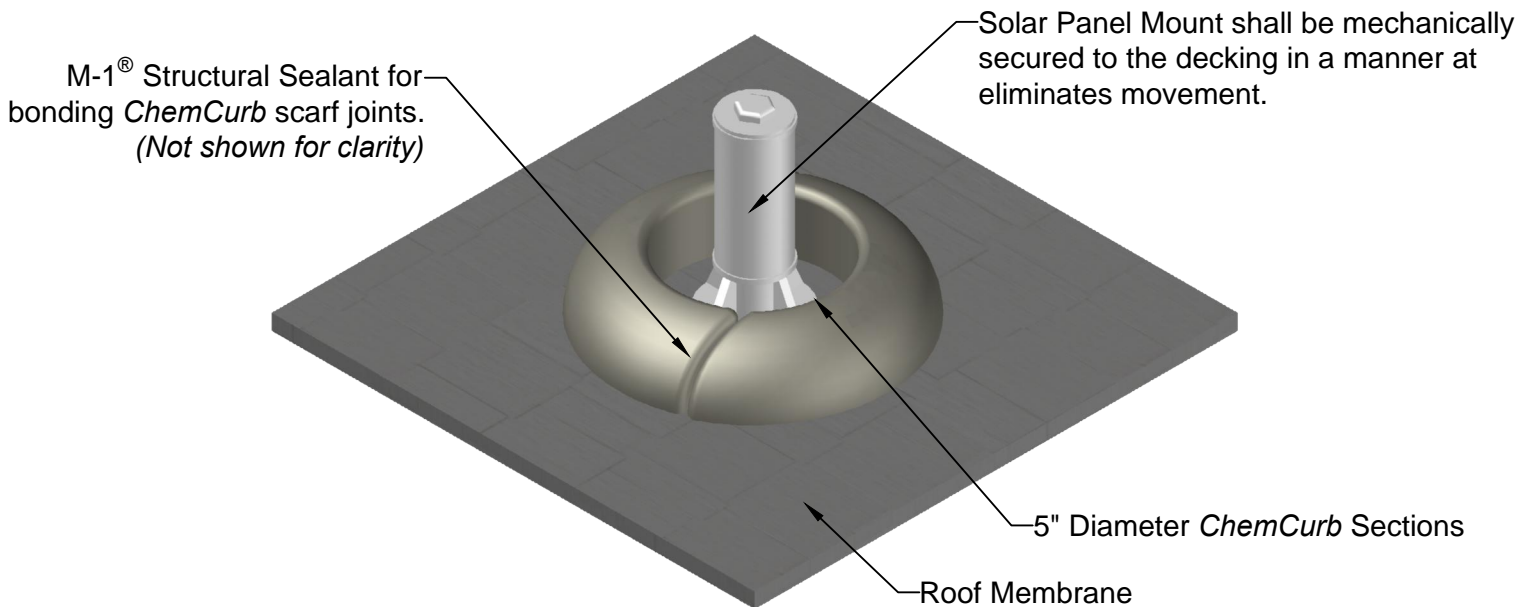
Title: ChemCurbs

Sheet: 8 of 16

DRW #: CL-CC-02

Drawn by: Christian Appold

SOLAR PANEL MOUNT



A minimum 1" space is required between all penetrations and the interior wall of all ChemCurbs.



CONTACT INFORMATION:

Solarflexion 1-800-942-2424

Date: May 12, 2013

Title: ChemCurbs

Sheet: 9 of 16

DRW #: CL-CC-02

Drawn by: Christian Appold

MACHINERY SCREEN

Fill *ChemCurbs* with only 1-Part™ Pourable Sealer when installing on granulated membranes and around high movement details.

Prime penetrations with M-1®, extending up 3" from base of penetration.
DO NOT USE ROOF CEMENT!

Angle iron or support members shall be fabricated out of structural steel that is secured to the structural supports or decking in a manner that reduces structural movement as much as possible.

M-1® Structural Sealant for bonding *ChemCurb* scarf joints.
(Not shown for clarity)

External bead of M-1® required. OPTION: An additional bead of 1-Part™ Pourable Sealer can be applied over top of the external bead of M-1® to lock in granules on granulated roof membranes.

ChemCurb Sections

Roof Membrane

A minimum 1" space is required between all penetrations and the interior wall of all *ChemCurbs*.



CONTACT INFORMATION:

Solarflexion 1-800-942-2424

Date: May 12, 2013

Title: ChemCurbs

Sheet: 10 of 16

DRW #: CL-CC-02

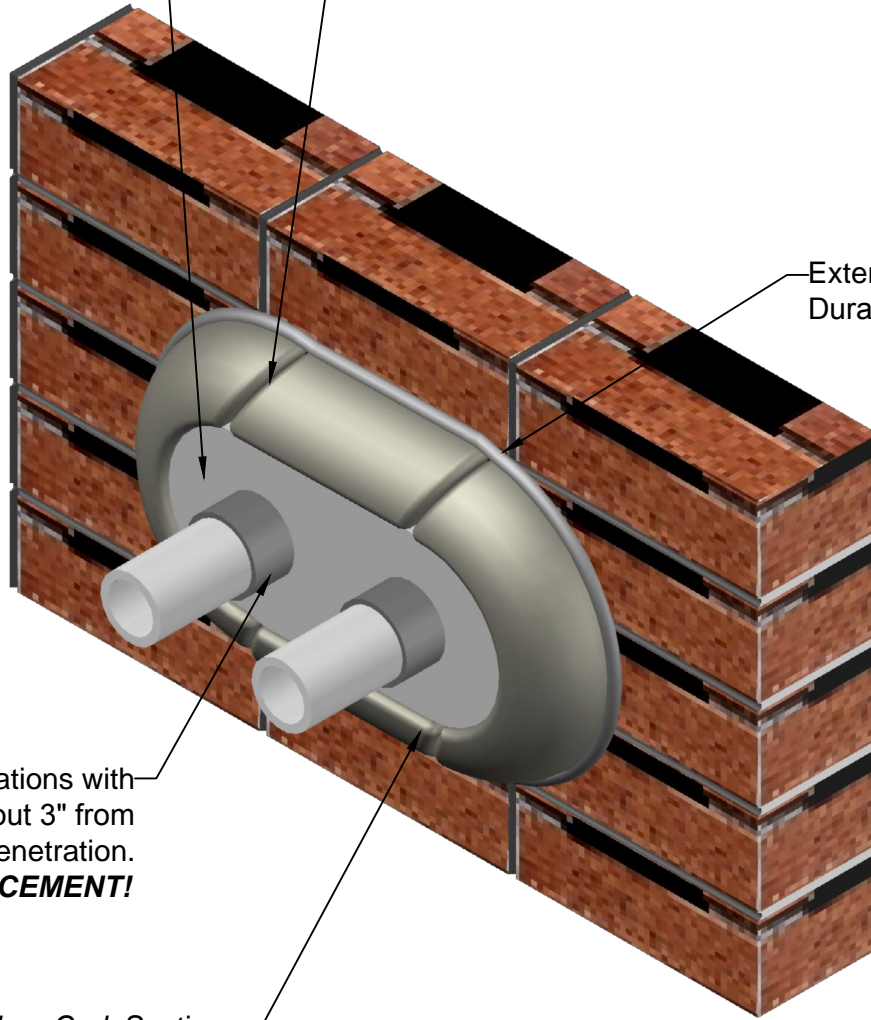
Drawn by: Christian Appold

VERTICAL WALL PENETRATIONS

Trowel application of DuraLink™ flush with the top of the *ChemCurb*.

DuraLink™ Structural Sealant for bonding *ChemCurb* scarf joints. (Not shown for clarity)

External bead of DuraLink™ required.



Prime penetrations with DuraLink™, extending out 3" from base of penetration. **DO NOT USE ROOF CEMENT!**

ChemCurb Sections

A minimum 1" space is required between all penetrations and the interior wall of all ChemCurbs.



CONTACT INFORMATION:

Solarflexion 1-800-942-2424

Date: May 12, 2013

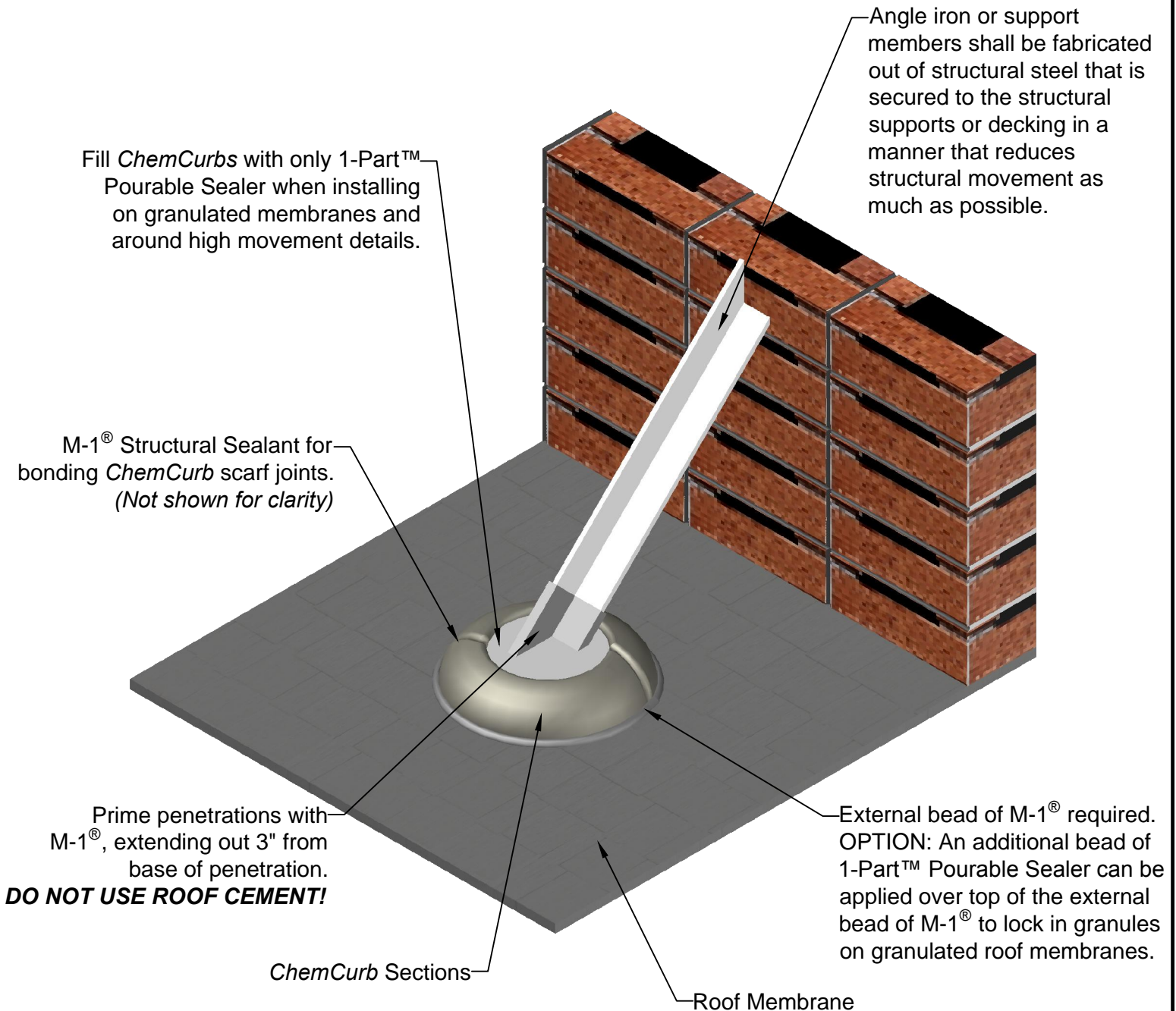
Title: ChemCurbs

Sheet: 11 of 16

DRW #: CL-CC-02

Drawn by: Christian Appold

ANGLE IRON PENETRATION



A minimum 1" space is required between all penetrations and the interior wall of all ChemCurbs.



CONTACT INFORMATION:

Solarflexion 1-800-942-2424

Date: May 12, 2013

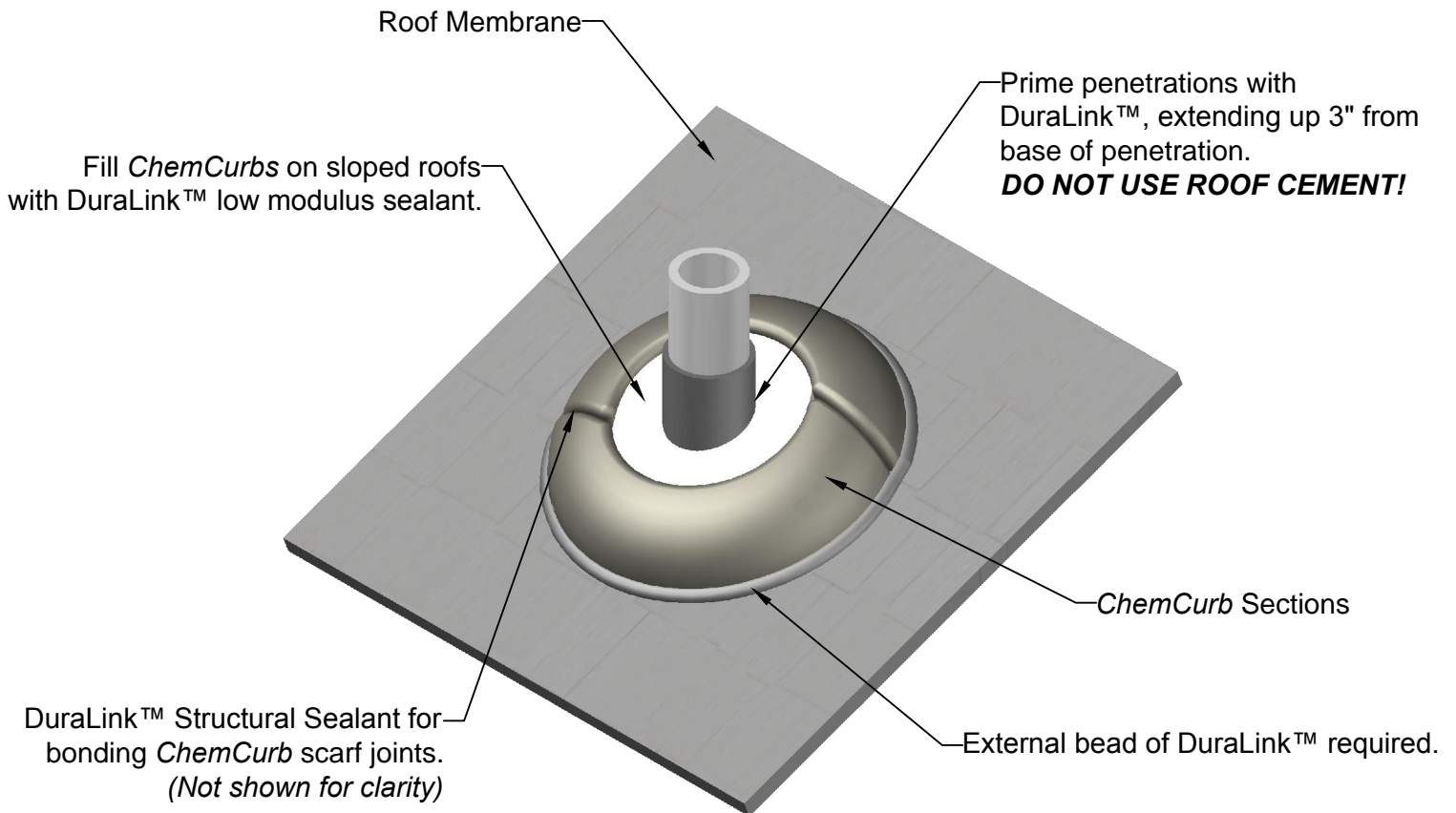
Title: ChemCurbs

Sheet: 12 of 16

DRW #: CL-CC-02

Drawn by: Christian Appold

SLOPED ROOF PENETRATION



A minimum 1" space is required between all penetrations and the interior wall of all ChemCurbs.



CONTACT INFORMATION:

Solarflexion 1-800-942-2424

Date: May 12, 2013

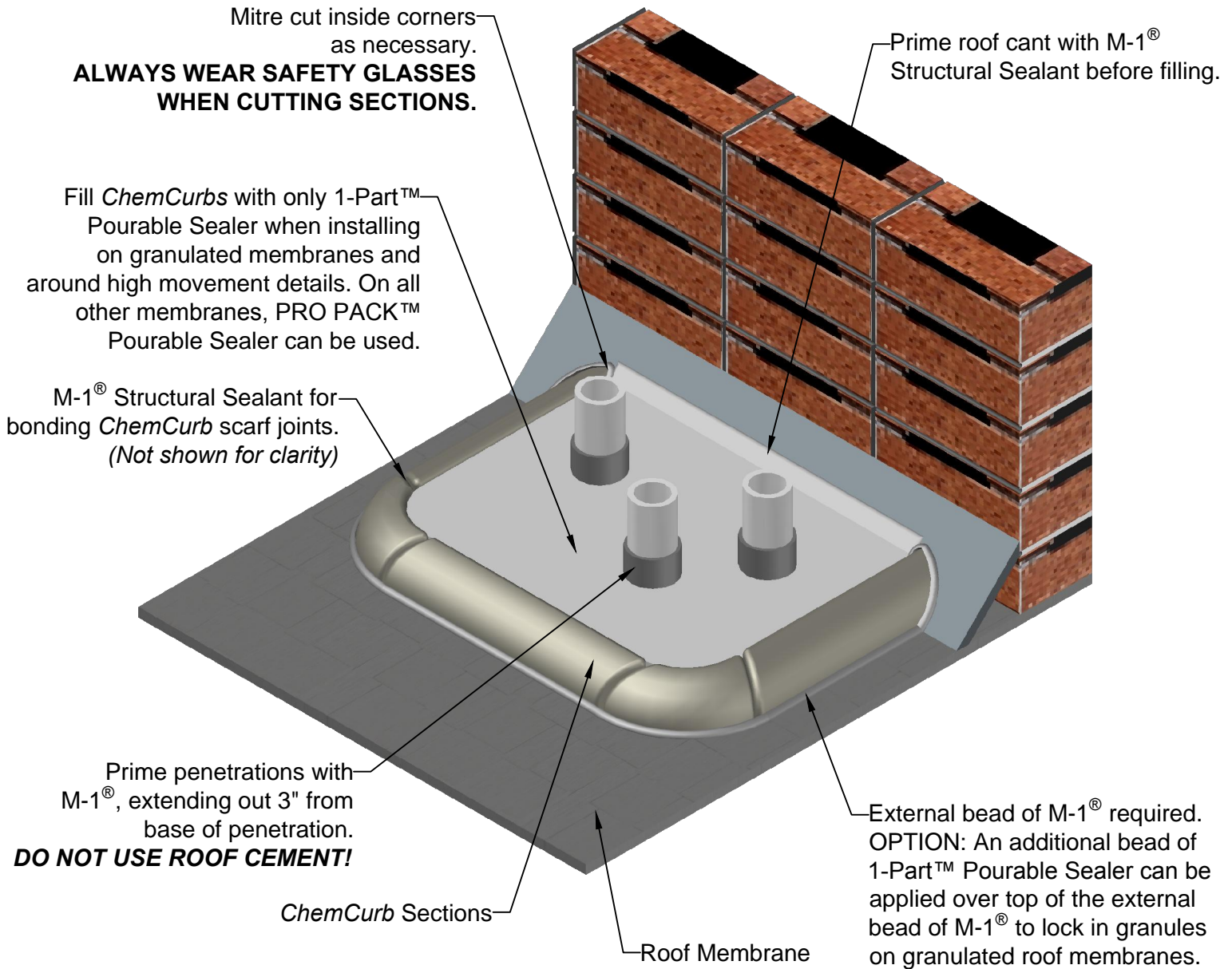
Title: ChemCurbs

Sheet: 13 of 16

DRW #: CL-CC-02

Drawn by: Christian Appold

PENETRATION NEAR WALL FLASHING



A minimum 1" space is required between all penetrations and the interior wall of all ChemCurbs.



CONTACT INFORMATION:

Solarflexion 1-800-942-2424

Date: May 12, 2013

Title: ChemCurbs

Sheet: 14 of 16

DRW #: CL-CC-02

Drawn by: Christian Appold

HOT STACK PENETRATION (200°F to 400°F)

Fill *ChemCurbs* with **DuraSil™ SL** silicone for low slope applications or **DuraSil™ Non Sag** silicone for sloped roof applications.

DuraSil™ Silicone for bonding *ChemCurb* scarf joints. (Not shown for clarity)

Roof Membrane

ChemCurb Sections

Prime penetrations with **DuraSil™** silicone, extending up 3" from base of penetration. **DO NOT USE ROOF CEMENT!**

External bead of **DuraSil™** silicone required.

A minimum 1" space is required between all penetrations and the interior wall of all ChemCurbs.



CONTACT INFORMATION:

Solarflexion 1-800-942-2424

Date: May 12, 2013

Title: ChemCurbs

Sheet: 15 of 16

DRW #: CL-CC-02

Drawn by: Christian Appold

TPO MEMBRANE

Apply *ChemLink* TPO Primer with a brush to the surface of the TPO membrane. Primer shall extend from the base of the penetration(s) to 1" beyond the outside perimeter of the *ChemCurb*.

Allow TPO primer to dry before installing the *ChemCurb*.

TPO Roof Membrane

ChemCurb Sections

Prime penetrations with M-1[®], extending up 3" from base of penetration.

DO NOT USE ROOF CEMENT!

M-1[®] Structural Sealant for bonding *ChemCurb* scarf joints. (Not shown for clarity)

Fill *ChemCurbs* with only 1-Part[™] Pourable Sealer or PRO PACK[™] Pourable Sealer.

External bead of M-1[®] required.

A minimum 1" space is required between all penetrations and the interior wall of all *ChemCurbs*.



CONTACT INFORMATION:

Solarflexion 1-800-942-2424

Date: May 12, 2013

Title: ChemCurbs

Sheet: 16 of 16

DRW #: CL-CC-02

Drawn by: Christian Appold