



SOLAR BOOST™ 3024iL

30AMP 24VDC / 40AMP 12VDC MAXIMUM POWER POINT TRACKING PHOTOVOLTAIC CHARGE CONTROLLER

INSTALLATION AND OPERATION MANUAL



CONFORMS TO
UL STD. 1741
CERTIFIED TO
CAN/CSA STD. E335-1/2E



CONFORMS TO
EN 61326-1:2006
EN 60335-1:2002 + A11:2004 + A1:2004
EN 60335-2-29:2004

This device complies with part 15 of the FCC rules. Operation is subject to the following two conditions: 1) This device may not cause harmful interference, and 2) This device must accept any interference received, including interference that may cause undesired operations.



**THIS MANUAL INCLUDES IMPORTANT SAFETY INSTRUCTIONS FOR MODELS SB3024iL, SB3024DiL
SAVE THESE INSTRUCTIONS**

**CE MANUEL CONTIENT D'INSTRUCTIONS IMPORTANTES POUR LES MODELES SB3024iL, SB3024DiL
PRIERE DE SAUVEGARDER CES INSTRUCTIONS**

**DIESES HANDBUCH ENTHÄLT WICHTIGE HINWEISE FÜR DIE MODELLE SB3024iL, SB3024DiL
BITTE BEHALTEN SIE DIESE HINWEISE**

**ESTE MANUAL INCLUYE INSTRUCCIONES DE SEGURIDAD IMPORTANTES PARA LOS MODELOS SB3024iL, SB3024DiL
CONSERVE ESTAS INSTRUCCIONES**

COVERED UNDER ONE OR MORE OF THE FOLLOWING US PATENTS
6,111,391 • 6,204,645

TABLE OF CONTENTS

IMPORTANT SAFETY INSTRUCTIONS 2

PRODUCT DESCRIPTION..... 3

 Part Numbers and Options..... 3

OPERATION 3

 Charge Status Indicator..... 4

 Optional Digital Display 3

 Optional Remote Displays..... 3

 Multi-Stage Charge Control..... 3

 Bulk Charge 3

 Acceptance Charge..... 3

 Float Charge 4

 Equalization 4

 Automatic Equalization..... 4

 Manual Equalization..... 4

 Current Limit..... 4

 Temperature and Output Power..... 4

 Optional Temperature Compensation 5

 Maximum Setpoint Voltage Limit..... 5

 Maximum Power Point Tracking (MPPT) 5

 Multiple Charge Controllers On The IPN Network..... 5

INSTALLATION..... 5

 Electrostatic Handling Precautions..... 5

 Selecting PV Modules 6

 Solar Boost 3024i Setup..... 6

 As Shipped Factory Default Settings 6

 Restoring As Shipped Default Settings 6

 Battery And PV Voltage 7

 Charge Voltage, Float Voltage & Charge Time..... 7

 Output Current Display..... 8

 Battery and PV Wiring..... 8

 Electromagnetic Compatibility..... 8

 Battery Temperature Sensor..... 8

 Auxiliary Output..... 8

 Auxiliary Battery Charge 9

 Load Controller..... 9

 Dusk-to-Dawn Lighting Control 9

 Installing a Multi-Controller System..... 10

 Multi-Controller Wiring And Setup..... 10

 IPN Network..... 10

 Mounting..... 11

TROUBLESHOOTING GUIDE 12

SPECIFICATIONS..... 14

TWO YEAR LIMITED WARRANTY 15

TABLES AND FIGURES

 Table 1 Charge Status Indicator 3

 Table 2 Maximum Conductor Length - 3% Voltage Drop..... 8

 Figure 1 Front Panel and Remote Display Indicators..... 4

 Figure 2 Factory Charge Voltage Setpoint -vs.- Battery Temperature..... 5

 Figure 3 Setup and Wiring Diagram 7

 Figure 4 Auxiliary Output Wiring..... 9

 Figure 5 IPN Network Wiring..... 10

 Figure 6 Detailed Dimensional Drawing 11

 Versión en Español..... 16




 Version en Française..... 32

 Deutsch Sprachversion..... 48

IMPORTANT SAFETY INSTRUCTIONS

This manual contains important instructions for Models SB3024iL and SB3024DiL
SAVE THESE INSTRUCTIONS

1. Refer installation and servicing to qualified service personnel. No user serviceable parts in this unit.
2. To reduce the risk of electric shock, fire or personal injury, the following symbols are placed throughout this manual to indicate dangerous conditions, or important safety or operational instructions.

WARNING	CAUTION	IMPORTANT
		
Indicates dangerous conditions or electric shock potential. Use extreme caution.	Indicates items critical to safe installation or operation of the unit.	Follow these instructions closely for proper operation of the unit

3. PERSONAL PRECAUTIONS

- a) Working in the vicinity of lead-acid batteries is dangerous. Batteries produce explosive gasses during normal operation.
- b) To reduce risk of battery explosion, follow these instructions and those published by battery manufacturer and manufacturer of any equipment you intend to use in vicinity of battery.
- c) Someone should be within range of your voice or close enough to come to your aid when you work near a lead-acid battery.
- d) Have plenty of fresh water and soap nearby in case battery acid contacts skin, clothing or eyes.
- e) Wear complete eye protection and clothing protection. Avoid touching eyes while working near battery.
- f) If battery acid contacts skin or clothing, wash immediately with soap and water. If acid enters eye, immediately flood eye with running cold water for at least 10 minutes and get medical attention immediately.
- g) NEVER SMOKE or allow a spark or flame in vicinity of battery.
- h) Be extra cautious to reduce risk of dropping metal tool onto battery. It might spark or short circuit battery or other electrical part that may cause explosion.
- i) Remove personal metal items such as rings, bracelets and watches when working with a lead-acid battery. A lead-acid battery can produce a short circuit current high enough to weld a ring or the like to metal, causing a severe burn.
- j) Remove all sources of power, photovoltaic and battery before servicing or installing.

4. CHARGER LOCATION & INSTALLATION

- a) This unit is designed to charge 12V (6-cell) or 24V (12-cell) flooded or sealed type lead-acid chemistry batteries within the range of 20 to 10,000 amp-hours. Follow battery manufacturers charging recommendations when considering this unit for use with other battery chemistry.
- b) This unit employs components that tend to produce arcs or sparks. NEVER install in battery compartment or in the presence of explosive gases.
- c) This unit must be installed and wired in accordance with National Electrical Code, ANSI/NFPA 70.
- d) Over current protection for the battery must be provided externally. To reduce the risk of fire, connect to a circuit provided with 50A maximum branch-circuit over current protection in accordance with National Electrical Code, ANSI/NFPA 70.
- e) Over current protection for the auxiliary load control output or auxiliary battery charge output must be provided externally. To reduce the risk of fire, connect to load or auxiliary battery with 25A maximum over current protection in accordance with National Electrical Code, ANSI/NFPA 70.
- f) Insure that unit is properly configured for the battery being charged.
- g) Unit is not water tight. Do not expose to rain or snow.
- h) Insure all terminating connections are clean and tight. Battery and PV compression terminals are to be tightened to 45 in-lb (5 nm). IPN Network and battery temperature sensor compression terminals are to be tightened to 2.1 in-lb (0.24 nm). Auxiliary output compression terminals are to be tightened to 6 in-lb (0.67 nm).
- i) Do not connect to a PV array capable of producing greater than 32A short circuit current for 12V nominal PV modules, or 24A short circuit for PV modules greater than 12V nominal. Limit input short circuit current to 12A if the 24V input 12V output mode is used.
- j) This unit is not provided with a GFDI (ground-fault detector/interrupter) device and must be used with an external GFDI device as required by Article 690 of National Electrical Code for the installation location.

5. PREPARING TO CHARGE

- a) Never charge a frozen battery.
- b) Be sure battery is mounted in a well ventilated compartment.
- c) Add distilled water in each cell of a lead-acid battery until battery acid reaches level specified by battery manufacturer.

PRODUCT DESCRIPTION

Solar Boost™ 3024iL is multi-stage *Maximum Power Point Tracking* (MPPT) photovoltaic battery charge controller capable delivering up to 30A or 40A depending on PV modules and battery voltage. The auxiliary output can serve as either a 2A auxiliary battery charger, or as a 20A load controller with or without variable Dusk-to-Dawn lighting control. The 3024 includes an IPN Network interface which allows multiple charge controllers to communicate with each other and operate as a single charging machine.

PART NUMBERS AND OPTIONS

- SB3024iL..... Solar Boost 3024iL charge controller
- IPNPRO IPN-ProRemote display & battery monitor
- CS-500 500A/50mV current shunt
- 930-0022-20 Battery temperature sensor
- SB3024DiL..... Solar Boost 3024iL controller with volt/amp display
- IPNPRO-S..... IPN-ProRemote with required 500A/50mV current shunt
- IPNREM..... IPN-Remote display

OPERATION

Charge control and MPPT operation are fully automatic. At night when PV power production stops, the PV array is disconnected from the battery to prevent unwanted current drain. There is a 5 second turn-on delay, and a 45 second turn-off delay.



➤ The 3024 operates on battery power, not PV power. A battery must be connected with a minimum voltage of 9V for the unit to operate.

CHARGE STATUS INDICATOR

A charge status indicator is provided on the face of the 3024, and on the optional remote displays. If net battery charge current is greater than ≈ 3 to 5A per 100 amp-hours of battery capacity the charge status indicator can provide a rough indication of battery state of charge.

CHARGE STATUS INDICATOR

CHARGE STATUS INDICATOR	CHARGE MODE	APPROXIMATE CHARGE LEVEL
OFF	CHARGE OFF	_____
CONTINUOUSLY ON	BULK	<70% FULL
BLINKING • 1 SEC ON / 1 SEC OFF	ACCEPTANCE	70% - 95% FULL
BLINKING • 0.2 SEC ON / 1 SEC OFF	FLOAT	FULLY CHARGED
RAPID BLINKING • 0.2 SEC ON / 0.2 SEC OFF	EQUALIZE	_____

TABLE 1

OPTIONAL DIGITAL DISPLAY

The SB3024DiL includes a digital display of battery voltage and output charge current. The display alternates between voltage and current when charging. Current is displayed when the "AMPS" indicator is on and can be the *total* of all controllers on the IPN network (factory default), or the current of a *single* controller on the IPN network. An automatic night time dimming feature reduces display brightness when PV charge is OFF.

OPTIONAL REMOTE DISPLAYS

Two remote displays are available. The IPN-Remote has the same display functionality as the SB3024DiL. The full featured IPN-ProRemote provides setup capability and enhanced monitoring of charge controllers on the IPN network. It also provides a complete battery system monitor with various amp-hour counters and a highly accurate "fuel gage" type battery level indicator.

MULTI-STAGE CHARGE CONTROL

Bulk Charge

The 3024 will be in Bulk charge when battery voltage is below the Acceptance Charge Voltage setpoint. During Bulk the 3024 delivers as much charge current as possible to rapidly recharge the battery. Automatic current limit prevents output current from exceeding the 3024's maximum current rating.

Acceptance Charge

When the battery recovers sufficient charge for voltage to rise to the Acceptance Charge Voltage setpoint (factory set to 14.4/28.8V) current is reduced as necessary to control at the Acceptance Voltage. The 3024 remains in Acceptance until the battery is fully charged as determined by either;

1. The 3024 has remained in Acceptance for the Charge Time period (factory set to 2 hours).
- OR -
2. With the IPN-ProRemote display, net battery charge current while in Acceptance decreases to the Float Transition Current setting (factory set to 1.5A per 100 amp-hours of battery capacity).

Float Charge

Once the battery is fully charged a somewhat lower Float Voltage (factory set to 13.2/26.4V) is applied to maintain the battery in a fully charged state without excessive water loss.

FRONT PANEL AND REMOTE DISPLAY INDICATORS

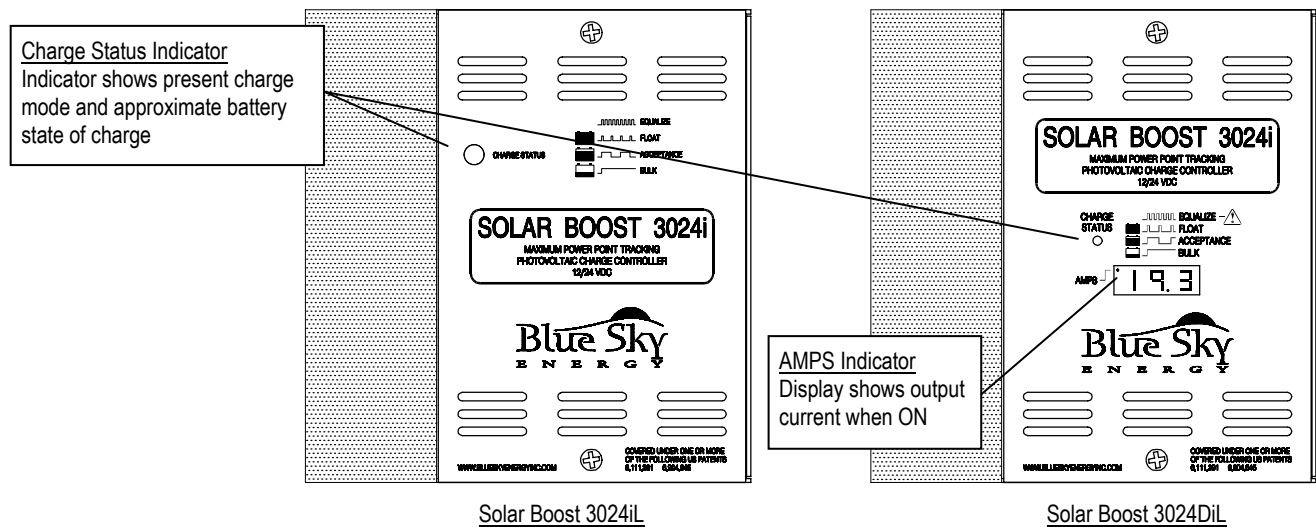


FIGURE 1

EQUALIZATION



➤ **WARNING:** Not all batteries can be safely equalized. Equalization should only be performed on vented liquid electrolyte lead-acid batteries. Always follow battery manufacturers recommendations pertaining to equalization. Equalization applies a high voltage producing significant battery gassing. Disconnect equipment that cannot tolerate the high equalization voltage which is temperature compensated.

Periodic equalization improves battery performance and life by bringing all battery cells up to the same specific gravity and eliminating electrolyte stratification. Equalization parameters are factory set to 15.2/30.4V for 2 hours every 30 days. A minimum net charge current of approximately 3A per 100 amp-hours of battery capacity is required for proper equalization. If insufficient current is available equalization may have to be canceled manually since the equalization time accumulator may not complete count down.

The equalization timer is a “time at voltage” time accumulator which counts in 3 minute increments. The equalization timer will not count down unless the battery is at the equalization voltage setpoint. Unless manually disabled the 3024 will stay in equalize for as long as necessary to accumulate the required time at voltage. If equalize does not complete by end of the charging day it will resume where it left off the next charging day.

Automatic Equalization

If DIP switch #5 is turned ON prior to the application of battery power, automatic equalization is enabled. The 3024 will perform automatic equalization after the set number of days has elapsed. (factory set to 30 days).

Manual Equalization

If DIP switch #5 is turned OFF, equalization is completely disabled. A manual equalize can be performed by turning DIP switch #5 ON, after battery power is applied. Following completion of a manually initiated equalization cycle, turn DIP switch #5 OFF. If DIP switch #5 remains ON automatic equalize is enabled. Equalization can also be controlled from the IPN-ProRemote if DIP switch #5 is ON.

CURRENT LIMIT

Automatic current limit prevents output current from exceeding 40A with 12V batteries and 12V PV's. If PV open circuit voltage (V_{oc}) ever exceeds 30V which would occur with PV voltage greater than 12V nominal, current limit will become 30A until the 3024 reboots. Note that when the 3024 exits current limit, it will briefly enter acceptance on it's way back to MPPT even though battery voltage may be low.

TEMPERATURE AND OUTPUT POWER

When mounted vertically as described in the installation section, the 3024 can deliver full output in an ambient temperature of up to 40°C (104°F). If an over temperature condition exists, the 3024 will cycle on/off, reducing average power delivery to within safe limits. During thermal shutdown the Charge Status Indicator will display an OFF condition.

OPTIONAL TEMPERATURE COMPENSATION

The optional battery temperature sensor automatically adjusts charge voltage setpoints based on battery temperature which enhances battery performance and life, and decreases maintenance. The default compensation factor of $-5.00\text{mV}/^\circ\text{C}/\text{cell}$ is suitable for most lead-acid chemistry batteries.

FACTORY DEFAULT CHARGE VOLTAGE SETPOINT -VS.- BATTERY TEMPERATURE

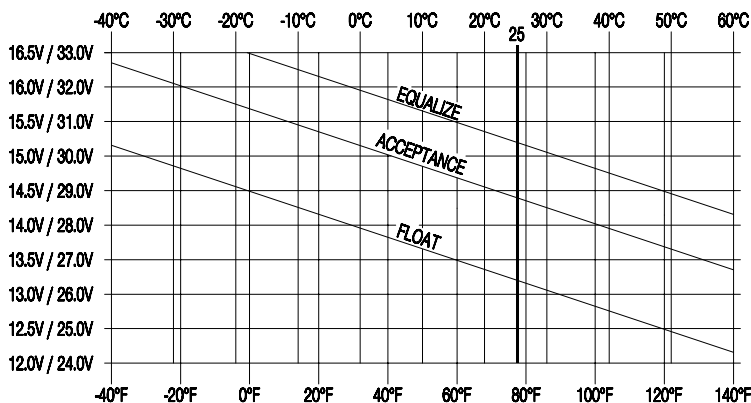


FIGURE 2

MAXIMUM SETPOINT VOLTAGE LIMIT

Regardless of setpoint values entered by the user or result from temperature compensation the 3024 will not apply a charge voltage setpoint greater than the maximum voltage setpoint limit factory configured to 15.5/31.0V. Note that actual battery voltage may briefly exceed this value by 0.1 – 0.2V as the voltage control servo responds to changes in load.

MAXIMUM POWER POINT TRACKING (MPPT)

Patented MPPT technology can extract more power and increase charge current up to 30% or more compared to conventional controllers. The principal operating conditions which affect current boost performance are PV array temperature and battery voltage. At constant solar intensity, available PV voltage and power *increase* as PV temperature *decreases* but it takes an MPPT controller to access this extra power. When PV voltage is sufficiently high in Bulk for MPPT to operate, a *constant power* output is delivered to the battery. Since output power is constant a *decrease* in battery voltage produces a further *increase* in charge current. This means that the 3024 provides the greatest charge current increase when you need it most, in cold weather with a discharged battery. In cool comfortable temperatures most systems see about 10 – 20% increase. Charge current increase can go to zero in hot temperatures, whereas charge current increase can easily exceed 30% with a discharged battery and freezing temperatures. For a more complete MPPT description see www.blueskyenergyinc.com.

MULTIPLE CHARGE CONTROLLERS ON THE IPN NETWORK

The IPN network architecture allows multiple charge controllers operate as a single charging machine. Up to 8 IPN compatible charge controllers can reside on a single network and can share a single display or battery temperature sensor. Charge controllers can be added to grow a small system into a large system and have this large system operate from the users standpoint as a single charge controller.

INSTALLATION



➤ **WARNING:** Read, understand and follow the Important Safety Instructions in the beginning of this manual before proceeding. This unit must be installed and wired in accordance with National Electrical Code, ANSI/NFPA 70. Over current protection must be provided externally. To reduce the risk of fire, connect to a circuit provided with 40A maximum branch-circuit over current protection (50A with 12V battery and 12V PV modules) in accordance with National Electrical Code, ANSI/NFPA 70. Do not connect a PV array capable of delivering greater than 24A of short circuit current I_{sc} at STC (32A with 12V battery and 12V PV modules). Do not connect BAT- and PV- together external to the unit. The unit is not provided with a GFDI (ground-fault detector/interrupter) device and must be used with an external GFDI device as required by Article 690 of NEC for the installation location. To reduce risk of electric shock, remove all sources of power before installing or servicing. Figures 3, 4 and 5 show generalized connections only and are not intended to show all wiring, circuit protection and safety requirements for a photovoltaic electrical system.



➤ **CAUTION:** The 3024 is protected against reverse battery and PV polarity, and swapped PV and battery connections, but will be damaged by reverse battery to the PV terminals. Transient voltage lightning protection is provided, but steady state voltage in excess of 57VDC on the battery or PV terminals will damage the unit. Damage of either type voids the limited warranty.

ELECTROSTATIC HANDLING PRECAUTIONS

To minimize the likelihood of damage, discharge yourself by touching a water faucet or other electrical ground prior to handling the 3024 and avoid touching circuit board components. The risk of electrostatic damage is highest when relative humidity is below 40%.

SELECTING PV MODULES

Voltage, current and power produced by Photovoltaic (PV) modules fluctuate widely with operating conditions. As a result a set of test conditions referred to as *Standard Test Conditions (STC)* are used to rate modules in a meaningful manner and accurately predict real world performance. STC ratings are not maximum or optimal ratings. Conditions can be present where V_{OC} and I_{SC} approach 1.25 times STC ratings which is why National Electrical Code and our recommendations call for 1.25 derating of both V_{OC} and I_{SC} . Yet in real world conditions I_{MP} is commonly only about 75 – 80% of I_{MP} at STC.

Key PV module specifications:

- P_{MAX} Maximum power in watts ($P_{MAX} = V_{MP} \times I_{MP}$)
- V_{OC} Voltage with module open circuit (typically $\approx 20 - 22V$ for 12V modules)
- V_{MP} Voltage where module produces Maximum Power (typically $\approx 17 - 18V$ for 12V modules)
- I_{MP} Current where module produces Maximum Power
- I_{SC} Current with module Short Circuit

The 3024 will provide the best MPPT current boost performance if all PV modules are identical. If module types are mixed, do not put dissimilar modules in series. Dissimilar modules in parallel should have V_{MP} values within $\approx 0.5V$ or better for 12V modules, and be of the same basic cell technology so their V_{MP} will tend to track as operating conditions change. If module types are very different consider using a separate charge controller for each module type to obtain the best MPPT current boost performance.

Select PV modules that do not exceed the maximum ratings shown below, and preferably produce at least 3A of I_{MP} per 100 amp-hours of battery capacity.

Nominal Battery Voltage	Automatic Current Limit	Maximum PV Power @ STC	Maximum PV I_{SC} @ STC	Maximum PV V_{OC} @ STC	Recommended range of V_{MP} at STC		
					Nominal 12V PV	Nominal 18V PV	Nominal 24V PV
12V	40A*	540W	32A*	24.0V*	16.5 – 18.5V	5	5
12V	30A	400W	16A	45.6V	5	24.8 – 27.8V	5
12V	30A	400W	12A	45.6V	5	5	33.0 – 37.0V
24V	30A	800W	24A	45.6V	5	5	33.0 – 37.0V

*Current rating and current limit are 40A when charging a 12V battery from nominal 12V PV modules. If PV V_{OC} ever exceeds 30V (>12V nominal PV modules) current rating and current limit become 30A.

SOLAR BOOST 3024 SETUP



➤ The 3024 has various setup parameters all of which are preconfigured at the factory. Confirm that the 3024's charge parameter settings are within the ranges specified by the battery manufacturer. Default settings are typically suitable for most flooded or sealed lead-acid batteries and likely require no changes.

➤ Setup parameters are divided into two categories, Basic and Advanced. Basic parameters can be configured with the 3024 alone within limited steps and ranges as shown in Figure 3. Advanced parameters require the IPN-ProRemote to access. The IPN-ProRemote also allows basic settings to be configured in smaller steps and over wider ranges. All setup parameters are retained if power is lost, or the IPN-ProRemote is used as a setup tool only and removed.

As Shipped Factory Default Settings

Basic Settings

- Charge mode 3-stage
- Acceptance voltage 14.4/28.8V
- Float voltage 13.2/26.4V
- Charge time 2.0 hours
- Equalize Disabled
- IPN Network address 0 (zero)
- Auxiliary Output mode Aux. bat. charger
- All DIP switches OFF
- Current display (SB3024Di)..... IPN network total

Advanced Settings

- Equalize voltage 15.2/30.4V
- Equalize time 2.0 hours
- Auto equalize days 30 days
- Maximum voltage setpoint limit 15.5/31.0V
- Float Transition Current 1.5A/100 amp-hours
- Temperature compensation factor $-5.00mV/^{\circ}C/cell$
- Load control ON voltage 12.6/25.2V
- Load control OFF voltage 11.5/23.0V
- Dusk-to-Dawn lighting control Disabled

Restoring As Shipped Factory Default Settings

1. Remove PV and battery power.
2. Turn ALL 8 power board DIP switches shown in Figure 3 ON.
3. Restore battery power for 10 seconds, then remove battery power.
4. Return ALL 8 power board DIP switches to their default OFF position.
5. If display is present, set display DIP's to #4 ON, #1-3 OFF
6. The unit is now set to as shipped factory default settings.

Battery and PV Voltage



➤ Nominal battery and PV voltage are determined automatically. The battery is considered to be 12V if battery voltage when first connected is less than 16V, or 24V if battery voltage is greater. PV voltage is also determined automatically. If nominal PV voltage is changed following installation power must be momentarily removed to reboot the 3024.

Charge Voltage, Float Voltage & Charge Time

Acceptance Charge Voltage, Float Charge Voltage and Charge Time setpoints can be viewed or changed using the parameter setup LED's and DIP switch shown in Figure 3. Operate only one switch at a time. To view the present setting turn the appropriate DIP switch ON momentarily (V_{CHG} #8, V_{FLOT} #6 or T_{CHG} #7). For a 24V battery the actual voltage setpoints are doubled.

To change a setting, turn the appropriate DIP switch ON, OFF, and then back ON before the LED's turn OFF. The 3024 will enter setup mode and scan through available settings. Turn the DIP switch off at the desired setting to store the new value. If Float Charge Voltage is set to "No Float" the 3024 operates as a two stage charger, will not switch to Float, and will not display Charge Time on the setup LED's.

SETUP AND WIRING DIAGRAM

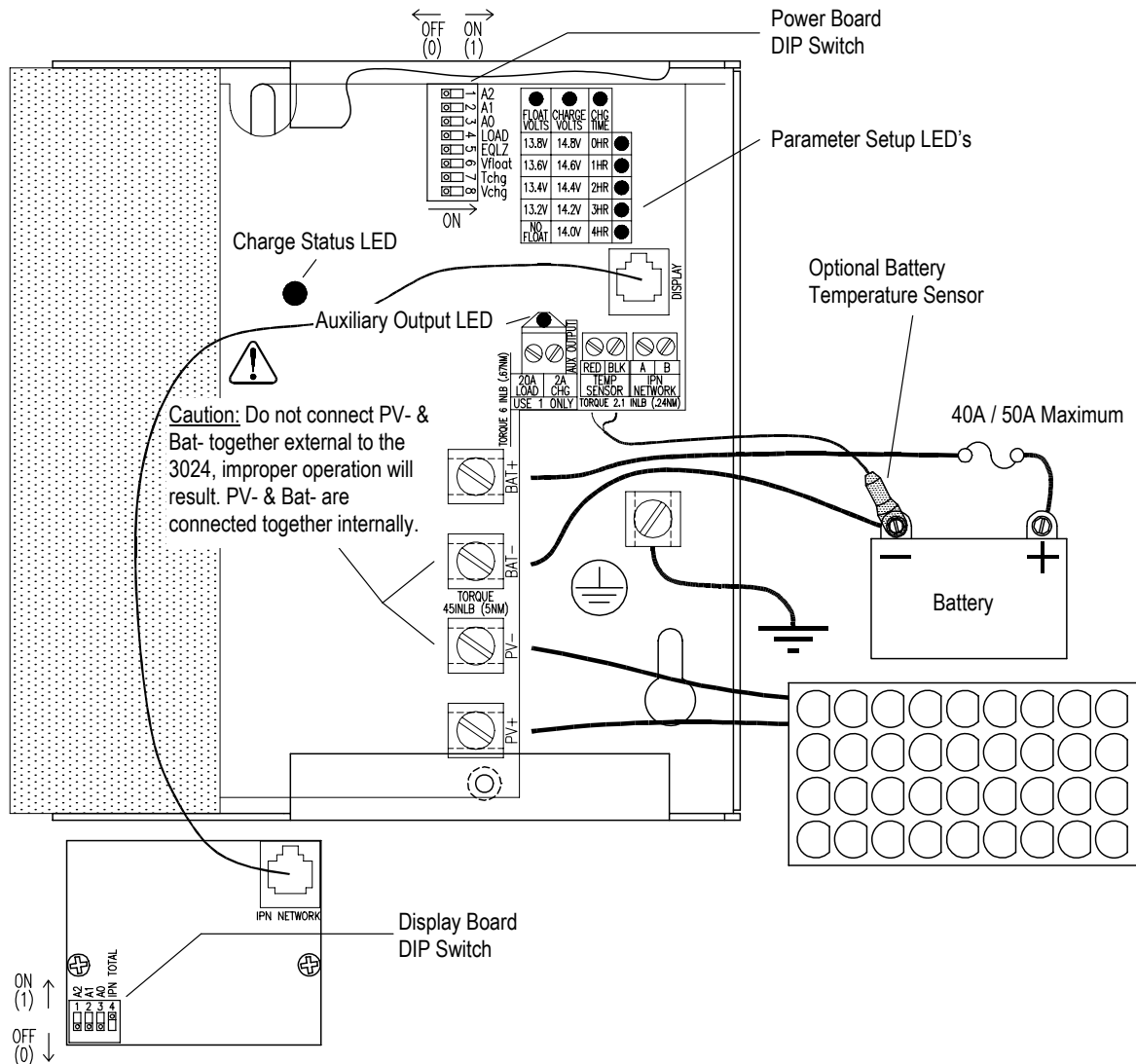


FIGURE 3

Output Current Display (SB3024DiL only)



➤ The display can show total output current from all networked controllers, or the output current of a single controller. To show output current from a single controller IPN network address of the display and charge controller must match.

DISPLAY BOARD DIP SWITCH	IPN ADDRESS – OUTPUT CURRENT OF SINGLE CHARGER UNIT								TOTAL OUTPUT CURRENT OF ALL CHARGERS ON IPN NETWORK
	0	1	2	3	4	5	6	7	
# 1 (A2)	OFF	OFF	OFF	OFF	ON	ON	ON	ON	Don't care
# 2 (A1)	OFF	OFF	ON	ON	OFF	OFF	ON	ON	Don't care
# 3 (A0)	OFF	ON	OFF	ON	OFF	ON	OFF	ON	Don't care
# 4 (IPN Total)	OFF	OFF	OFF	OFF	OFF	OFF	OFF	OFF	ON

BATTERY AND PV WIRING



➤ **CAUTION:** Battery and PV compression terminals accept #14–4 AWG wire and are tightened to 45 in-lb (5 nm). IPN network compression terminals accept #24–14 AWG wire and are tightened to 2.1 in-lb (0.24 nm). Auxiliary Output compression terminals accept #24–12 AWG wire and are tightened to 6 in-lb (0.67 nm).

➤ **CAUTION:** DO NOT connect Bat– and PV– together external to the 3024 or improper operation will result. Bat– and PV– connect together internally.

A desirable installation would produce a total system wiring voltage drop of 3% or less. The lengths shown in Table 2 are one way from the PV to the battery with the 3024 located along the path. Wire length can be increased inversely proportional to actual current. If current was reduced by ½, wire lengths could doubled and still provide 3% voltage drop.

MAXIMUM CONDUCTOR PAIR LENGTH - 3% VOLTAGE DROP

WIRE GAUGE AWG	12 VOLT SYSTEM @32A FEET / METERS	24 VOLT SYSTEM @24A FEET / METERS
12 AWG	4.0 / 1.2	10.7 / 3.3
10 AWG	6.4 / 2.0	16.9 / 5.2
8 AWG	10.1 / 3.1	26.9 / 8.2
6 AWG	16.1 / 4.9	42.8 / 13.0
4 AWG	25.5 / 7.8	68.1 / 20.7
2 AWG	40.6 / 12.4	108.2 / 33.0
1/0 AWG	64.6 / 19.7	172.2 / 52.5

TABLE 2

ELECTROMAGNETIC COMPATIBILITY

To comply with electromagnetic compatibility requirements the 3024's battery and PV wiring must be installed in grounded metallic conduit, and the two clamp on type ferrite suppressors supplied must be installed. Clamp one suppressor around both Bat+ and Bat– cables. Clamp the second suppressor around both the battery temperature sensor and remote display cables with the cables looped to pass through the core 3 times. If both sensor and display cables are used, the sensor cable outer cover must be stripped back ≈12" (30cm) so both cables will fit through the core 3 times. Ensure that the two suppressors are restrained so they will not damage circuit board components. Additional suppressors can be ordered as BSE p/n 523-0005-01.

BATTERY TEMPERATURE SENSOR

Installation of the optional battery temperature sensor enables temperature compensation of all charge voltage setpoints. In a multi-controller system a single temperature sensor must connect to the IPN master. Do not attach a sensor or connections other than Blue Sky Energy battery temperature sensor p/n 930-0022-20. Be certain to observe proper RED/BLK polarity.

AUXILIARY OUTPUT

The auxiliary output can serve one of three functions; a 2A auxiliary battery charger, a 20A load controller with Low Voltage Disconnect (LVD), or a 20A variable Dusk-to-Dawn lighting load controller. The Charge/Load function is selected by DIP switch #4 shown in Figure 3. The IPN-ProRemote is required to adjust LVD thresholds or enable Dusk-to-Dawn lighting control. Auxiliary outputs in a multi-controller system will function normally, but only the auxiliary output in the master can be configured or monitored using the IPN-ProRemote. The auxiliary output "Load" LED will illuminate whenever the auxiliary output is ON.



➤ **CAUTION:** The auxiliary output cannot perform both auxiliary battery charge and load control functions at the same time. Do not connect to the 20A Load terminal for auxiliary battery charge.

AUXILIARY BATTERY CHARGE – DIP #4 OFF

The auxiliary charge function is used to charge an auxiliary battery of the same voltage as the primary battery. If the primary battery is charging in Acceptance or Float, up to 2A is diverted to the auxiliary battery at roughly the same charge voltage. Auxiliary battery charge is disabled during bulk or equalization. Use 14awg wire to minimize voltage drop and 25A over current protection. Auxiliary battery negative must connect to primary battery negative.

AUXILIARY OUTPUT WIRING

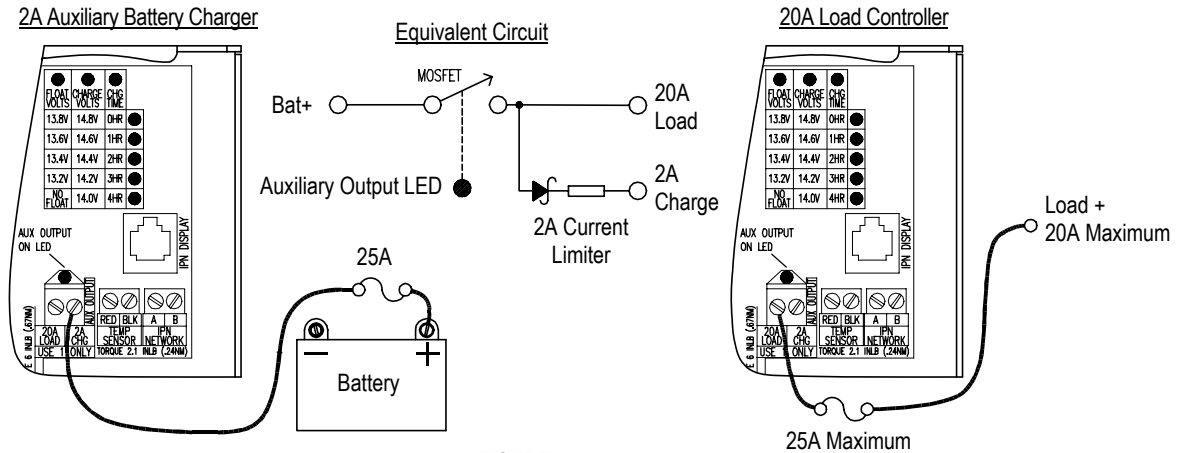


FIGURE 4

LOAD CONTROLLER – DIP #4 ON

The load controller can deliver up to 20A of continuous output from the battery. Default settings are for LVD operation with ON at $V_{BAT} \geq 12.6/25.2V$, and OFF at $V_{BAT} \leq 11.5/23.0V$, which can be changed using the IPN-ProRemote. Operation can also be based on net battery amp-hours if an IPN-ProRemote is present. The ON/OFF condition must be valid for 20 seconds before switching will occur. If the higher/lower values are reversed the output control logic is inverted. Load negative must connect to battery negative.



➤ **CAUTION:** 25A maximum over current protection for load control output must be provided externally. If the load control output is configured to operate based on net battery amp-hours, configure ON/OFF voltage thresholds as well. If amp-hour from full data is not available, voltage based operation will resume. Voltage or amp-hour ON/OFF thresholds must not be the same value or improper operation will result.

DUSK-TO-DAWN LIGHTING CONTROL – DIP #4 ON

An IPN-ProRemote with software version V2.00 or later is required to enable lighting control. Refer to IPN-ProRemote operators manual for lighting control setup instructions. Variable time settings are available to turn lighting ON after Dusk (Post-Dusk timer) and/or ON before Dawn (Pre-Dawn timer). If both timers are set to DISABLED (factory default), the lighting control feature is disabled. If either the Post-Dusk or Pre-Dawn timers are set to a time value the lighting control feature is enabled. When lighting control is enabled the auxiliary output is controlled by both the normal load control function and the lighting control function such that whichever function wants the auxiliary output OFF prevails.

Dusk or night time begins when the charge control system turns OFF which occurs when PV module current drops below $\approx 50mA$ at battery voltage. Dawn or day time begins when the charge control system turns ON which occurs when PV module current rises to $\approx 100mA$ at battery voltage. If the Post-Dusk timer was set to 1.0 hour and the Pre-Dawn timer was set to 2.0 hours, lights would turn ON at Dusk, remain ON for one hour, and then turn OFF. Two hours before Dawn the lights would again turn ON and remain ON until Dawn. For full Dusk to Dawn lighting set the Post-Dusk timer to 20 hours. Lights will always be OFF when the charge control system is ON.

When the 3024 first receives battery power it does not know when Dawn is expected to occur. As a result Pre-Dawn control does not operate for the first night. Once a night time period of 4 hours or more is detected this night time period is stored and Pre-Dawn control will operate. Each subsequent night time period greater 4 hours is added to a filtered average of night time.

INSTALLING A MULTI-CONTROLLER SYSTEM

A communication link is established between controllers by daisy chaining a twisted pair cable from the IPN Network terminal block, controller to controller (A-to-A, B-to-B) as shown in Figure 5. Up to 8 IPN based charge controllers can be connected together in a multi-controller system. Device address 0 (zero) is the master and 1 – 7 are slaves. The master controls the charging process and directs the activities of the slaves. The charge control system will start whenever one or more controllers receives PV input power.

MULTI-CONTROLLER WIRING AND SETUP



- **CAUTION:** A multi-controller system requires the following specialized installation and setup:
- 1) Each controller must connect to and charge the same battery.
 - 2) One controller must be set to IPN address 0 (zero) and the others be set to addresses 1 – 7 with no controllers set the same.
 - 3) Charge parameters are set in the master only.
 - 4) While outputs connect in parallel to a common battery, PV inputs must be completely separate. A large PV array must be divided into sub-arrays, each with separate PV+ and PV- wiring.
 - 5) All controllers must be connected to the IPN network as shown in Figure 5.

IPN NETWORK WIRING

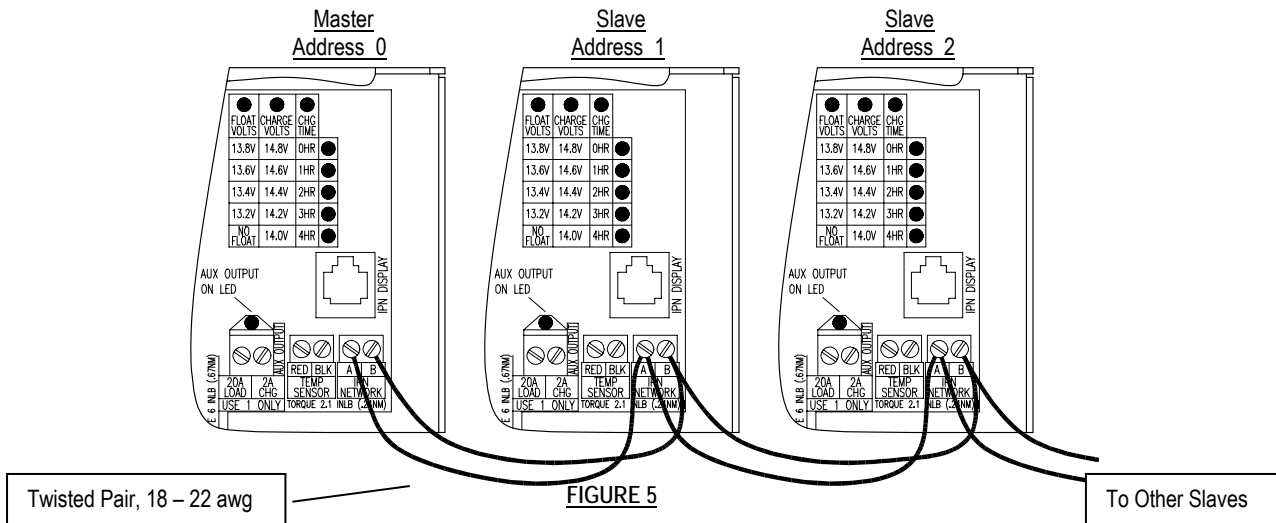


FIGURE 5

IPN Network Address



➤ A single controller must be set to IPN network address 0 (zero). In a multi-controller system one controller must be set to address 0 (zero) to serve as the master. The other controllers must be set to address 1-7 with no two controllers set the same.

POWER BOARD DIP SWITCH	IPN NETWORK ADDRESS							
	MASTER 0	1	2	3	4	5	6	7
# 1 (A2)	OFF	OFF	OFF	OFF	ON	ON	ON	ON
# 2 (A1)	OFF	OFF	ON	ON	OFF	OFF	ON	ON
# 3 (A0)	OFF	ON	OFF	ON	OFF	ON	OFF	ON

MOUNTING



➤ **CAUTION:** Mount the unit with heatsink fins oriented vertically to promote cooling and do not enclose in a confined space. The 3024 is not watertight and must be protected from rain, snow and excessive moisture.

DETAILED DIMENSIONAL DRAWING

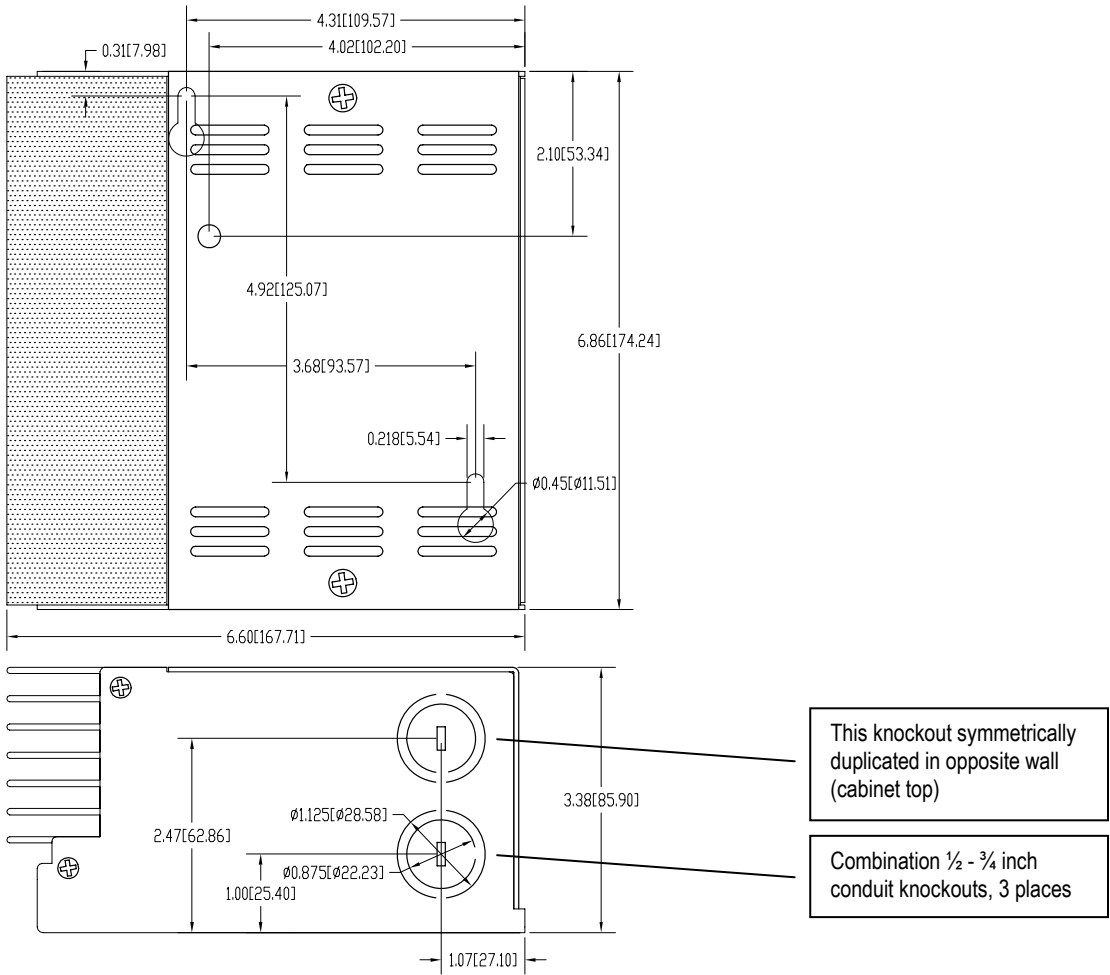


FIGURE 6

TROUBLESHOOTING GUIDE

SYMPTOM	PROBABLE CAUSE	ITEMS TO EXAMINE OR CORRECT
Completely dead, no display	No battery power	Battery disconnected, overly discharged (<9V), or connected reverse polarity. Battery powers unit, not PV.
Unit will not turn on (charge status LED off), Display if present may be OK	PV disconnected PV reverse polarity IPN network address set wrong Low battery power Extreme voltage fluctuations or interference has caused microprocessor lock-up	PV must supply at least 0.15A at just above battery voltage to begin charge. Reverse polarity PV will cause heat sink to heat. A single unit must be set to IPN network address 0 (zero). One unit of a multi-unit network must be set to IPN network address 0 (zero), AND all other units must be set to different addresses. Battery overly discharged (<9V). Battery powers unit, not PV. Reboot microprocessor by momentarily removing all power. Reattach power crisply.
Unit cycles on/off	PV- connected to BAT- external to unit	PV- & BAT- must be separate external to the unit for proper operation and cannot connect to a common location. External connection prevents proper operation of internal shunts and current measurement system.
Charge status LED on., but no output charge current	Battery voltage greater than charge voltage setpoint Battery voltage too low Unit recognized battery voltage to be 12V when it is actually 24V	This is normal operation. Output is off due to high battery voltage which may be caused by other charging systems. Battery voltage must be at least 9V for the unit to operate. Battery voltage is determined automatically when the unit first receives power. Voltage must be greater than 16V to recognize battery as 24V. Remove all power, and reapply battery quickly and crisply.
Charge status LED blinks rapidly	System in equalize mode	Disable equalize via IPN-ProRemote, or by turning DIP switch #5 off.
Charge current is lower than expected, PV current may be low as well	Battery is highly charged Worn out PV modules Low insolation PV- connected to BAT- Nominal PV voltage has changed from 18V or 24V to 12V Current limit has switched to 30A	Normal operation, current is reduced if battery voltage is at setpoint. Replace, or use as is. Atmospheric haze, PV's dirty, sun low on horizon, etc. PV- & BAT- must be separate external to the unit for proper operation and cannot connect to a common location. External connection prevents proper operation of internal shunts and current measurement system. If PV voltage is changed to 12V, all power must be removed momentarily to reboot unit and load initial PV control values. Normal operation. Current limit will change to 30A if PV V_{OC} has exceeded 30V which will occur with greater than 12V nominal PV's. Reconfigure PV's for 12V and reboot 3024 to resume 40A current limit.
MPPT Current boost is less than expected	PV maximum power voltage (V_{MP}) is not much higher than battery voltage, leaving little extra power to be extracted PV's hot Nominal PV voltage has changed from 18V or 24V to 12V	PV's with low V_{MP} . PV's with higher V_{MP} produce greater power and current boost potential. PV's with $V_{MP} \geq 17V$ work best. Excessive PV wiring voltage drop due to undersize wiring, poor connections etc. Battery is nearly charged and battery voltage is high. Output during MPPT operation is "constant power", higher battery voltage reduces charge current increase. V_{MP} and available power decrease with increasing PV cell temperature. Cooler PV's will produce greater boost. It is normal for boost to decrease as temperature rises. If PV voltage is changed from 12V, all power must be removed momentarily to reboot unit and load initial PV control values.
Auxiliary battery not charging	Auxiliary output not configured for auxiliary battery charge Primary battery not highly charged Load on Auxiliary battery too high	Confirm dip switch #4 is OFF. Auxiliary battery will not receive charge unless primary battery is highly charged in Acceptance or Float. Maximum auxiliary charge current is roughly 2A. Load may need to be reduced.

SYMPTOM	PROBABLE CAUSE	ITEMS TO EXAMINE OR CORRECT
System appears OK, but will not correctly switch between Bulk, Acceptance & Float	<p>Not set for 3 stage charge</p> <p>System will not switch out of Bulk and into Acceptance or Float</p> <p>System will not switch from Float to Bulk or Acceptance</p> <p>System will not switch from Acceptance to Float</p> <p>System shows Acceptance at times but battery voltage is low and current is very high near max. rating.</p>	<p>Check Float voltage setpoint.</p> <p>Battery is highly discharged or very large relative to available net charge current. PV power may be too low or loads too high.</p> <p>Normal operation. Unit will stay in Float and not switch to Bulk or Acceptance until it is unable to hold the battery at the Float voltage setpoint.</p> <p>Battery not fully charged. Unit will not switch to Float until battery voltage remains at the Acceptance voltage setpoint continuously for the Charge Time period (or net battery current drops to the Float Transition Current setpoint if using IPN-ProRemote).</p> <p>Normal operation. If the unit enters current limit, it will pass through Acceptance for about 10 seconds upon exiting current limit and returning to Bulk/MPPT.</p>
Load control not working properly	<p>Auxiliary output not set for load control</p> <p>Output may have shut off due to low battery charge</p> <p>ON/OFF thresholds set to inappropriate values</p> <p>Dusk-to-Dawn feature enabled</p>	<p>Confirm dip switch #4 is ON.</p> <p>Load will shut off if battery voltage drops below OFF threshold (default 11.5/23.0V). Once shut off, the load will turn on until battery voltage is above ON threshold (default 12.6/25.2V).</p> <p>Correct settings.</p> <p>Disable Dusk-to-Dawn control.</p>
Dusk-to-Dawn feature, lights will not turn ON or remain ON	<p>Auxiliary output not set for load control</p> <p>Output may have shut off due to low battery charge</p> <p>Charge control system ON</p> <p>Timers set incorrectly</p> <p>First valid night time not seen yet</p>	<p>Confirm dip switch #4 is ON and Dusk-to-Dawn enabled.</p> <p>Load will shut off if battery voltage drops below OFF threshold (default 11.5/23.0V). Once shut off, the load will not come back on until battery voltage is above ON threshold (default 12.6/25.2V).</p> <p>Lights will not turn on if charge control system is ON and charging.</p> <p>Check Post-Dusk and Pre-dawn timer settings</p> <p>Pre-Dawn lighting will not operate until a valid night time of greater than 2 hours is detected to initialize the night time period.</p>
Dusk-to-Dawn feature, lights will not turn OFF or remain OFF	<p>Auxiliary output not set for load control</p> <p>Dusk-to-Dawn feature not enabled.</p> <p>Timers set incorrectly</p> <p>Charge control does not turn ON</p>	<p>Confirm dip switch #4 is ON and Dusk-to-Dawn enabled.</p> <p>Post-Dusk and Pre-dawn timers both set to DISABLED. One or both timers must be set to enable Dusk-to-Dawn feature.</p> <p>Correct Post-Dusk and Pre-dawn timer settings.</p> <p>Check charge control operation</p>
Networked units do not seem to coordinate action or slaves do not turn on	<p>IPN network address set wrong</p> <p>Network wiring problem</p>	<p>A single unit must be set to IPN network address 0 (zero).</p> <p>One unit of a multi-unit network must be set to IPN network address 0 (zero), AND all other units must be set to different addresses.</p> <p>Confirm wiring. Use IPN-ProRemote to View Charge Unit Status and confirm communication.</p>
Temperature related functions do not work.	<p>Temperature sensor missing, failed or installed reverse polarity</p> <p>Temperature sensor not installed on master</p>	<p>If sensor is open, short, reverse polarity or missing unit will operate as if sensor was at 25°C. Sensor voltage when connected should be 2.98V at 25°C, changing at +10mV/°C.</p> <p>Temperature sensor must be installed on the master in a multi-controller system.</p>
Display turns on, but battery voltage displays “---” rather than a number	<p>Display not communicating with charge controller</p>	<p>Cable faulty</p> <p>One charge controller only must be Master.</p> <p>Poor or missing Bat – connections preventing communication</p>
When charger turns on, output current displays “---” rather than a number	<p>Output current display selection set for an address not present on the IPN network</p>	<p>Configure display IPN network address to a charger present on the IPN network.</p>

SYMPTOM	PROBABLE CAUSE	ITEMS TO EXAMINE OR CORRECT
Charge OFF at high ambient temperature	System temporarily shuts down due to high heat sink temperature	Improve ventilation or reduce PV power. Sufficient ventilation to prevent over temperature shut down will improve reliability. See Technical Bulletin #100206.
When charger turns on, output current displays but the value seems incorrect	Output current display selection set for wrong IPN network address Bat- connected to PV- outside charge controller	Configure display IPN network address DIP switch to read desired output current. PV- & BAT- must be separate external to the unit for proper operation and cannot connect to a common location. External connection prevents proper operation of internal shunts and current measurement system.
Voltage or current value displayed seems to be stuck and does not change	Display or charge controller IPN network addressed has changed Display not communicating with charge controller	Configure display IPN network address DIP switch to properly read output current of a charger present on the IPN network Intermittent display cable.

SPECIFICATIONS

SPECIFICATIONS	Solar Boost 3024iL & 3024DiL
Output Current Rating	30A / 40A ^{3†}
Nominal Battery Voltage	12 / 24VDC
PV Input Voltage	57VDC maximum
Power Consumption	Typical 0.35W standby • 1.0W Charge ON
Charge Algorithm	3-stage Bulk/Acceptance/Float • plus Equalize
Acceptance Voltage	14.4VDC [§] (range 14.0 – 14.8VDC [§] , 10.0 – 40.0VDC [‡])
Float Voltage	13.2VDC [§] (range 13.2 – 13.8VDC [§] , 10.0 – 40.0VDC [‡])
Equalization Voltage	15.2VDC [§] (range 10.0 – 40.0VDC [‡]) • automatic or manual
Voltage Setpoint Limit	15.5VDC [§] (range 10.0 – 40.0VDC [‡])
Auxiliary Output	Single output configurable as either: 20A load controller –or– 2A auxiliary battery charger
• Aux. Battery Charge	2A typical, same charge voltage as primary battery
• Load Control	20A maximum, ON ≥12.6VDC [§] / OFF ≤11.5VDC [§] (Range 10.0 – 40.0VDC [‡] , or net battery AH [‡])
• Dusk-to-Dawn Control [‡]	Variable Post-Dusk and Pre-Dawn timers [‡] , Range 0.5 – 20.0 hours
Temperature Compensation	Optional sensor adjusts charge voltage based on battery temperature –5.00 mV/°C/cell correction factor (Range 0.00 to –8.00 mV/°C/cell [‡]) • sensor range –60 to +80°C
Power Conversion Efficiency	97% typical @ 28V / 24A Output
Cabinet Dimensions	6 ³ / ₈ "H x 6 ³ / ₈ "W x 3 ³ / ₈ "D (17.4cm x 16.8cm x 8.59cm)
Volt/Amp Accuracy/Range	Battery voltmeters 40.0VDC±0.50% FS • PV voltmeter 60.0VDC±0.50% FS Ammeters 41.0A±0.50% FS
Communication	Blue Sky Energy's proprietary IPN Network interface
Environmental	–40 to +40°C, 10 – 90% RH non-condensing

As a part of our continuous improvement process specifications are subject to change without prior notice

[§] SB3024i alone, voltages double for 24V battery

[‡] With IPN-ProRemote

[†] 40A with 12V battery and 12V PV modules

FIVE YEAR LIMITED WARRANTY

Blue Sky Energy, Inc. (hereinafter BSE), hereby warrants to the original consumer purchaser, that the product or any part thereof shall be free from defects due to defective workmanship or materials for a period of five (5) years subject to the conditions set forth below.

1. This limited warranty is extended to the original consumer purchaser of the product, and is not extended to any other party.
2. The limited warranty period commences on the date the product is sold to the original consumer purchaser. A copy of the original purchase receipt identifying purchaser and date of purchase, must accompany the product to obtain warranty repairs.
3. This limited warranty does not apply to, and future warranty shall become void, for any product or part thereof damaged by; a) alteration, disassembly or application of a foreign substance, b) repair or service not rendered by a BSE authorized repair facility, c) accident or abuse, d) corrosion, e) lightning or other act of God, f) operation or installation contrary to instructions pertaining to the product, or g) cosmetic aging.
4. If BSE's examination of the product determines that the product is not defective the consumer shall be charged a test and evaluation fee of \$40 and be responsible for all transportation costs and insurance related to returning the product to the consumer. The consumer is ultimately responsible for proper installation and operation of the product and BSE's prior troubleshooting assistance shall not serve as a waiver of the test and evaluation fee. The test and evaluation fee is subject to change without prior notice.
5. If within the coverage of this limited warranty, BSE shall repair or replace the product at BSE's sole discretion and return the product via standard ground transportation of BSE's choosing within the continental US. The consumer shall be responsible for all transportation costs and insurance to return the product outside the continental US, and for all transportation costs and insurance related to expedited return of the product. BSE's liability for any defective product or any part thereof shall be limited to the repair or replacement of the product. BSE shall not be liable for any loss or damage to person or property, or any other damages, whether incidental, consequential or otherwise, caused by any defect in the product or any part thereof.
6. Any implied warranty for merchantability or fitness for a particular purpose is limited in duration to the length of this warranty.
7. To obtain warranty repairs, contact BSE at 760-597-1642 to obtain a Returned Goods Authorization (RGA) number. Mark the outside of the package with the RGA number and return the product, postage prepaid and insured to the address below. The consumer is responsible for all transportation costs and insurance related to returning the product to BSE, and for any shipping damage which may void the warranty or increase the cost of repairs.

Blue Sky Energy, Inc.
2598 Fortune Way, Suite K
Vista, CA, 92081, USA

800-493-7877 • 760-597-1642 • Fax 760-597-1731 • www.blueskyenergyinc.com



SOLAR BOOST™ 3024iL

CONTROLADOR DE CARGA FOTOVOLTAICA DE 30A 24VCC / 40A 12VCC
CON SEGUIMIENTO DEL PUNTO DE MÁXIMA POTENCIA

MANUAL DE INSTALACIÓN Y OPERACIÓN



CONFORME A
UL STD. 1741
CERTIFICADO PARA
CAN/CSA STD. E335-1/2E



CONFORME A
EN 61326-1:2006
EN 60335-1:2002 + A11:2004 + A1:2004
EN 60335-2-29:2004

Este dispositivo cumple con la parte 15 de las reglas de FCC. La operación está sujeta a las siguientes dos condiciones: 1) Este dispositivo no puede causar interferencia dañina y 2) Este dispositivo debe aceptar toda interferencia recibida, incluyendo interferencia que pueda causar operaciones indeseadas.



ESTE MANUAL INCLUYE INSTRUCCIONES DE SEGURIDAD IMPORTANTES PARA LOS MODELOS SB3024iL, SB3024DiL
CONSERVE ESTAS INSTRUCCIONES

CUBIERTO POR UNA O MÁS DE LAS SIGUIENTES PATENTES DE E.U.A.
6,111,391 • 6,204,645




TABLA DE CONTENIDOS

INSTRUCCIONES IMPORTANTES DE SEGURIDAD	18
DESCRIPCIÓN DEL PRODUCTO	19
Números de partes y opciones	19
OPERACIÓN	19
Indicador de estado de carga	19
Visor digital opcional	19
Visores remotos opcionales	19
Control de carga multietapa	19
Carga masiva	19
Carga de aceptación	19
Carga flotante	20
Ecuilización	20
Ecuilización automática	20
Ecuilización manual	20
Límite de corriente	20
Temperatura y potencia de salida	20
Compensación opcional de temperatura	21
Valor configurado del límite máximo de voltaje	21
Seguimiento del punto máximo de potencia (MPPT)	21
Múltiples controladores de carga en la red IPN	21
INSTALACIÓN	21
Precauciones para la manipulación electrostática	21
Selección de los módulos PV	22
Configuración del Solar Boost 3024i	22
Ajustes predeterminados según se envía de fábrica	22
Restablecimiento de los ajustes predeterminados según se envía de fábrica	22
Voltaje de batería y del PV	23
Voltaje de carga, voltaje flotante y tiempo de carga	23
Visor de corriente de salida	24
Cableado de la batería y del PV	24
Compatibilidad electromagnética	24
Sensor de temperatura de la batería	24
Salida auxiliar	24
Carga auxiliar de batería	25
Controlador de carga	25
Control de iluminación de anochecer a amanecer	25
Instalación de un sistema de múltiples controladores	26
Cableado y configuración de un sistema de controladores múltiples	26
Red IPN	26
Montaje	27
GUÍA DE RASTREO DE FALLAS	28
ESPECIFICACIONES	31
GARANTÍA LIMITADA DE DOS AÑOS	31
TABLAS Y FIGURAS	
Tabla 1 Indicador del estado de carga	19
Tabla 2 Longitud máxima del conductor – Caída de voltaje de 3%	24
Figura 1 Panel frontal y visores indicadores remotos	20
Figura 2 Configuración de voltaje de carga de fábrica vs. temperatura de batería	21
Figura 3 Configuración y diagrama de cableado	23
Figura 4 Cableado de salida auxiliar	25
Figura 5 Cableado de la red IPN	26
Figura 6 Esquema dimensional detallado	27

INSTRUCCIONES IMPORTANTES DE SEGURIDAD

Este manual contiene instrucciones importantes para los modelos SB3024iL y SB3024DiL
CONSERVE ESTAS INSTRUCCIONES

1. Deje la instalación y las reparaciones en manos de personal de servicio calificado. No hay partes reparables por el usuario en esta unidad.
2. Para reducir el riesgo de recibir descargas eléctricas, fuego o daños personales, se han colocado los siguientes símbolos a lo largo de este manual para indicar condiciones peligrosas o instrucciones importantes de seguridad u operación.

ADVERTENCIA	PRECAUCIÓN	IMPORTANTE
		
Indica condiciones peligrosas o potenciales descargas eléctricas. Use extrema precaución.	Indica artículos críticos para instalar u operar la unidad en forma segura.	Siga estas instrucciones al pie de la letra para una un funcionamiento correcto de la unidad.

3. PRECAUCIONES PERSONALES

- a) El trabajo en las proximidades de baterías de plomo-ácido es peligroso. Las baterías producen gases explosivos durante la operación normal.
- b) Para reducir el riesgo de explosión de la batería, siga estas instrucciones y aquellas publicadas por el fabricante de la batería y del fabricante de cualquier equipo que quiera usar en las proximidades de una batería.
- c) Debe haber una persona en el rango de alcance de su voz o suficientemente cerca para darle ayuda cuando trabaje cerca de una batería de plomo-ácido.
- d) Tenga buena cantidad de agua potable y jabón en las cercanías en caso de que el ácido de la batería entre en contacto con la piel, ropa u ojos.
- e) Utilice protección completa para sus ojos y su ropa. Evite tocar sus ojos mientras trabaje cerca de una batería.
- f) Si el ácido de la batería entra en contacto con la piel o la ropa, lave inmediatamente con agua y jabón. Si entra ácido en el ojo, inmediatamente enjuague el ojo con agua corriente fría por lo menos durante 10 minutos y consiga atención médica inmediatamente.
- g) NUNCA FUME o permita la presencia de una chispa o una llama en las proximidades de la batería.
- h) Sea extremadamente precavido para así reducir el riesgo de dejar caer una herramienta metálica en la batería. Esto puede generar una chispa o cortocircuitar la batería u otras partes eléctricas que pueden causar una explosión.
- i) Qúitese todos los artículos metálicos personales tales como anillos, brazaletes y relojes cuando trabaje con una batería de plomo-ácido. Una batería de plomo ácido puede producir una corriente de cortocircuito suficientemente alta como para soldar un anillo o similar a algún metal, causando una quemadura severa.
- j) Quite todas las fuentes de energía, el fotovoltaico y la batería antes de realizar servicios o instalarlo.

4. UBICACIÓN E INSTALACIÓN DEL CARGADOR

- a) Esta unidad está diseñada para cargar baterías de química de plomo ácido de 12V (6 celdas) o 24V (12 celdas) del tipo inundado o sellado, dentro del rango de 20 a 10000 A/H. Siga las recomendaciones de carga del fabricante cuando considere esta unidad para su uso con otra química de batería.
- b) Esta unidad emplea componentes que tienden a producir arcos o chispas. NUNCA la instale en un compartimiento para batería ni en la presencia de gases explosivos.
- c) Esta unidad debe ser instalada y cableada de acuerdo con el Código Eléctrico Nacional, ANSI/NFPA 70.
- d) La protección ante exceso de corriente para la batería debe ser provista externamente. Para reducir el riesgo de fuego, conéctela a un circuito provisto con una protección máxima por rama de 50A contra exceso de corriente, de acuerdo con el Código Eléctrico Nacional, ANSI/NFPA 70.
- e) La protección contra exceso de corriente para la salida de control de carga auxiliar o la salida auxiliar de carga de batería debe ser provista externamente. Para reducir el riesgo de fuego, conecte a la carga o a la batería auxiliar con una protección contra exceso de corriente de un máximo de 25 A de acuerdo con el Código Eléctrico Nacional, ANSI/NFPA 70.
- f) Asegúrese de que la unidad esté configurada adecuadamente para el tipo de batería a ser cargada.
- g) La unidad no es a prueba de agua. No la exponga a lluvia ni a nieve.
- h) Asegúrese de que todas las conexiones terminales estén limpias y ajustadas. Los terminales de compresión de la batería y el PV deben ser ajustados a 5 Nm (45 libras por pulgada) Los terminales de compresión de la red IPN y del sensor de temperatura de la batería deben ser ajustados a 0.24 Nm (2.1 libras por pulgada). Los terminales de compresión de la salida auxiliar deben ser ajustados a 0.67 Nm (6 pulgadas por libra).
- i) No conecte un conjunto de PV que sea capaz de producir una corriente de cortocircuito mayor a 32A para módulos PV de 12V nominales o 24A de cortocircuito para módulos PV mayores a 12V nominales. Limite la corriente de entrada de cortocircuito a 12A si se usa el modo de entrada de 24V y salida de 12V.
- j) Esta unidad no viene provista con un dispositivo detector/interruptor de deriva a tierra (disyuntor diferencial) y debe ser usado con un disyuntor diferencial externo según lo requiere el Artículo 690 del Código Eléctrico Nacional para el lugar de instalación.

5. PREPARACIÓN PARA LA CARGA

- a) Nunca cargue una batería congelada.
- b) Asegúrese de que la batería esté montada en un compartimiento bien ventilado.
- c) Agregue agua destilada en cada celda de una batería de plomo-ácido hasta que el ácido de la batería alcance el nivel especificado por el fabricante de la batería.

DESCRIPCIÓN DEL PRODUCTO

El Solar Boost™ 3024iL es un controlador de carga de batería fotovoltaico con seguimiento del punto de máxima potencia de múltiples etapas "Maximum Power Point Tracking (MPPT)" capaz de proveer hasta 30A o 40A, dependiendo de los módulos PV y del voltaje de la batería. La salida auxiliar puede servir tanto como cargador de auxiliar de batería o como un controlador de carga de 20A con o sin control variable de iluminación desde el anochecer al amanecer. El 3024 incluye una interfaz de red IPN que permite que múltiples controladores de carga se comuniquen los unos con los otros y operen como una máquina única de carga.

NÚMEROS DE PARTE Y OPCIONES

- SB3024iL..... Controlador de carga Solar Boost 3024iL
- IPNPRO Visor remoto y monitor de batería IPN-Pro
- CS-500 Derivación de corriente de 500A/50mV
- IPNPRO-S..... Remoto IPN-Pro con derivación de corriente requerida de 500A/50mV
- SB3024DiL Controlador Solar Boost 3024iL con visor de voltios /amperios
- 930-0022-20 Sensor de temperatura de batería
- IPNREM Visor remoto IPN

OPERACIÓN

El control de carga y la operación MPPT son completamente automáticos. Por la noche, cuando se detiene la producción de potencia PV, el conjunto PV es desconectado de la batería para prevenir un indeseado drenaje de corriente. Hay un retardo de 5 segundos para el encendido y un retardo de 45 segundos para el apagado.



➤ El 3024 opera sobre la potencia de la batería, no sobre la potencia del PV. Debe conectarse una batería con un voltaje mínimo de 9V para que la unidad pueda operar.

INDICADOR DE ESTADO DE CARGA

En el frente del 3024 viene provisto un indicador de estado de carga y también en los visores remotos opcionales. Si la corriente de carga de batería neta es mayor a ≈ 3 y hasta 5A por cada 100 AH de capacidad de la batería, el indicador de estado de carga puede proveer una indicación aproximada del estado de carga de la batería.

INDICADOR DE ESTADO DE CARGA

INDICADOR DE ESTADO DE CARGA	MODO DE CARGA	NIVEL DE CARGA APROXIMADO
APAGADO (OFF)	CARGA APAGADA (OFF)	_____
CONTINUAMENTE ENCENDIDO	MASIVA	<70% DE LA CARGA COMPLETA
DESTELLANDO • 1 SEG. ENC. / 1 SEG. APAG.	DE ACEPTACIÓN	70% - 95% DE LA CARGA COMPLETA
DESTELLANDO • 0.2 SEG. ENC. / 1 SEG. APAG.	FLOTANTE	CARGADO COMPLETAMENTE
DESTELLANDO RÁPIDAMENTE • 0.2 SEG. ENC./ 0.2 SEG. APAG.	ECUALIZACIÓN	_____

TABLA 1

VISOR DIGITAL OPCIONAL

El SB3024DiL incluye un visor digital de voltaje de batería y de corriente de salida de carga. Durante la carga, el visor alterna entre voltaje y corriente. La corriente es mostrada cuando el indicador "AMPS" está encendido y puede ser la *total* de todos los controladores de la red IPN (predeterminado de fábrica), o la corriente de un *único* controlador de la red IPN. Mediante una prestación de disminución de luz por la noche, se reduce el brillo del visor cuando la carga PV está apagada.

VISORES REMOTOS OPCIONALES

Se encuentran disponibles dos visores remotos. El remoto IPN tiene la misma funcionalidad de visor que el SB3024DiL. El remoto IPN-Pro, muy completo, incluye la capacidad de ajustar y mejorar el monitoreo de los controladores de carga de la red IPN. También provee un monitoreo completo de la batería del sistema con varios contadores de A/h y un indicador de nivel de batería altamente preciso del tipo "medidor de combustible".

CONTROL DE CARGA MULTIETAPA

Carga masiva

El 3024 estará en carga masiva cuando el voltaje de la batería esté por debajo del voltaje de carga de aceptación establecido. Durante la carga masiva, el 3024 provee tanta corriente como le sea posible para recargar rápidamente la batería. El límite automático de corriente evita que la corriente de salida exceda el rango máximo de corriente del 3024.

Carga de aceptación

Quando la batería recupera suficiente carga como para que el voltaje se eleve a nivel establecido de voltaje de carga de aceptación (ajustado en fábrica en 14.4/28.8V) la corriente es reducida según la necesidad para controlar el voltaje de aceptación. El 3024 permanece en aceptación hasta que la batería esté completamente cargada según se determina por:

1. El 3024 ha permanecido en aceptación durante el período de tiempo de carga (ajustado en fábrica en 2 horas).
- OR -
2. Con el visor remoto IPN-Pro, la corriente neta de carga de la batería mientras está en aceptación se reduce al valor establecido para la corriente de transición flotante (ajustado en fábrica para 1.5A para una capacidad de batería de 100 A/h).

Carga flotante

Una vez que la batería se encuentra completamente cargada se aplica un voltaje flotante algo menor (ajustado en fábrica a 13.2/26.4V) para mantener la batería en estado de carga completa sin excesiva pérdida de agua.

PANEL FRONTAL Y VISORES INDICADORES REMOTOS

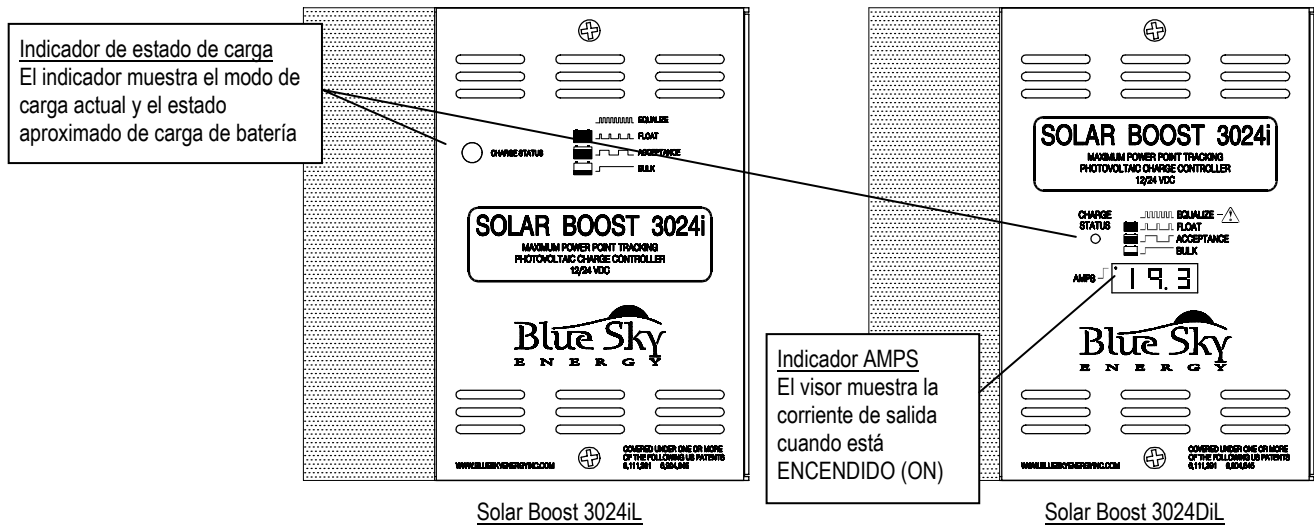


FIGURA 1

ECUALIZACIÓN



➤ **ADVERTENCIA:** No todas las baterías pueden ser ecualizadas en forma segura. La ecualización solamente debe realizarse en baterías de plomo-ácido con electrolito líquido ventilado. Siempre siga las recomendaciones de los fabricantes de las baterías correspondientes a la ecualización. La ecualización aplica un voltaje alto que produce una eliminación de gases significativa. Desconecte los equipos que no puedan tolerar el alto voltaje de ecualización que es compensado en temperatura.

La ecualización periódica mejora el rendimiento de la batería y su vida útil al conferirle a todas las celdas de la batería la misma gravitación específica y al eliminar la estratificación del electrolito. Los parámetros de ecualización están ajustados en fábrica a 15.2/30.4V por 2 horas, cada 30 días. Se requiere de una corriente de carga mínima neta de aproximadamente 3A para una batería de 100 AH de capacidad para una ecualización apropiada. Si la corriente disponible es insuficiente es posible que deba ser cancelada manualmente, ya que el acumulador de tiempo de ecualización podría no completar la cuenta regresiva.

El temporizador de ecualización es un acumulador de tiempo del tipo “tiempo a un voltaje dado”, el cual cuenta en incrementos de 3 minutos. El temporizador de ecualización no contará en forma regresiva a menos que la batería esté en el voltaje de ecualización configurado. A menos que sea deshabilitado manualmente, el 3024 permanecerá en ecualización por tanto tiempo como sea necesario para acumular el tiempo requerido al voltaje dado. Si la ecualización no se completa al final del día de carga, éste retomará durante el día de carga siguiente desde el punto donde abandonó.

Ecualización automática

Si el interruptor tipo DIP #5 está en la posición encendida ON antes de la aplicación de alimentación de la batería, se habilita la ecualización automática. El 3024 llevará a cabo una ecualización automática después de alcanzado del número configurado de días (ajustado de fábrica para 30 días).

Ecualización manual

Si el interruptor tipo DIP #5 está en la posición apagada OFF, la ecualización está completamente deshabilitada. Poniendo el interruptor tipo DIP #5 en la posición encendido ON, después de aplicada la alimentación de batería, puede realizarse una ecualización manual. Una vez completado un ciclo de ecualización iniciado manualmente, ponga el interruptor DIP #5 en la posición apagado OFF. Si el interruptor tipo DIP #5 permanece en ON, se habilita la ecualización automática. La ecualización también puede ser controlada desde el remoto IPN-ProRemote si el interruptor tipo DIP #5 está encendido ON.

LÍMITE DE CORRIENTE

El límite automático de corriente evita que la corriente de salida exceda los 40A con baterías de 12V y PV de 12V. Si el voltaje de PV a circuito abierto (Voc) siempre excede los 30V, lo cual puede ocurrir con voltajes de PV mayores que los 12V nominales, el límite de corriente pasará a 30A hasta que el 3024 se reinicie. Note que cuando el 3024 sale de su límite de corriente, brevemente ingresará en aceptación en su camino a MPPT, aún cuando el voltaje pueda ser bajo.

TEMPERATURA Y POTENCIA DE SALIDA

Quando se monta verticalmente como se describe en la sección de instalación, el 3024 puede proveer una salida completa en una temperatura ambiente de hasta 40°C (104°F). Si existiera una condición de exceso de temperatura, el 3024 completará un ciclo de encendido/apagado, reduciendo el promedio de potencia provista a los límites seguros. Durante el apagado térmico, el indicador de estado de carga mostrará una condición de apagado OFF.

COMPENSACIÓN OPCIONAL DE TEMPERATURA

El sensor opcional de temperatura de batería ajusta automáticamente la configuración de los voltajes de carga, basándose en la temperatura de la batería, lo cual mejora el rendimiento de la batería y su vida útil, reduciendo el mantenimiento. El factor de compensación predeterminado de $-5.00\text{mV}/^\circ\text{C}/\text{celda}$ es adecuado para la mayoría de las baterías de química plomo-ácido.

VOLTAJE DE CARGA PREDETERMINADO DE FÁBRICA VS. TEMPERATURA DE LA BATERÍA

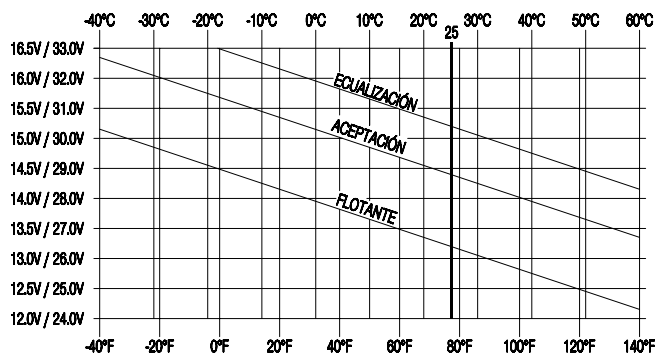


FIGURA 2

VALOR CONFIGURADO DEL LÍMITE MÁXIMO DE VOLTAJE

Sin importar los valores de configuración ingresados por el usuario o los resultantes de la compensación de temperatura, el 3024 no aplicará un valor configurado de voltaje de carga mayor que el máximo valor límite configurado de fábrica de 15.5/31.0V. Note que el voltaje real de la batería puede exceder brevemente este valor en 0.1 – 0.2V mientras el servo control de voltaje responde a los cambios en la carga.

SEGUIMIENTO DEL PUNTO MÁXIMO DE POTENCIA (MPPT)

La tecnología patentada de MPPT puede extraer más potencia e incrementar la corriente de carga hasta 30% o más, comparada con los controladores convencionales. Las condiciones operativas principales que afectan al rendimiento del impulso de corriente son la temperatura del conjunto PV y el voltaje de la batería. A una intensidad solar constante, el voltaje de PV disponible y la potencia se *incrementan* a medida que la temperatura del PV se *reduce*, pero se necesita que un controlador MPPT acceda a esa potencia extra. Cuando el voltaje del PV es suficientemente alto en carga masiva para que el MPPT opere, se provee una salida de *potencia constante* a la batería. Ya que la potencia de salida es constante, una *reducción* en el voltaje de la batería produce un posterior *incremento* en la corriente de carga. Esto significa que el 3024 provee el incremento más grande de la corriente de carga cuando más se necesita, en clima frío con una batería descargada. En temperaturas frescas confortables, la mayoría de los sistemas ven un incremento del 10 – 20%. El incremento en la corriente de carga se reduce a cero en altas temperaturas, mientras que un incremento en la corriente de carga puede fácilmente exceder el 30% con una batería descargada y temperaturas de congelación. Para una descripción más completa del MPPT, ingrese en www.blueskyenergyinc.com.

MÚLTIPLES CONTROLADORES DE CARGA EN LA RED IPN

La arquitectura de la red IPN permite que operen múltiples controladores de carga como una máquina de carga única. En una única red pueden residir hasta 8 controladores de carga IPN compatibles y pueden compartir un único visor o sensor de temperatura de batería. Los controladores de carga pueden ser agregados para hacer crecer un pequeño sistema y convertirlo en uno grande y operar ese gran sistema, desde el punto de vista de los usuarios, como un controlador único de carga.

INSTALACIÓN



➤ **ADVERTENCIA:** Lea, comprenda y siga las Instrucciones importantes de seguridad al comienzo de este manual antes de continuar. Esta unidad debe ser instalada y cableada de acuerdo con el Código Eléctrico Nacional, ANSI/NFPA 70. La protección contra exceso de corriente debe ser provista externamente. Para reducir el riesgo de fuego, conecte a un circuito provisto con una protección de 40A máximos de exceso de corriente en la rama del circuito (50A con batería de 12V y módulos PV de 12V) de acuerdo con el Código Eléctrico Nacional, ANSI/NFPA 70. No conecte un conjunto PV capaz de proveer más de 24A de corriente de cortocircuito I_{sc} en condiciones estándar de prueba "STC" (32A con batería de 12V y módulos PV de 12V). No conecte BAT- y PV- juntos fuera de la unidad. La unidad no viene provista con dispositivo disyuntor diferencial por descarga a tierra GFDI (ground-fault detector/interrupter) y debe ser usado con un disyuntor diferencial GFDI externo según lo requiere el Artículo 690 del Código Eléctrico Nacional para el lugar de instalación. Para reducir el riesgo de recibir una descarga eléctrica, quite todas las fuentes de alimentación antes de instalar o reparar. Las Figuras 3, 4 y 5 muestran las conexiones en forma general solamente y no están destinadas a mostrar todo el cableado, el circuito de protección ni los requerimientos de seguridad para un sistema eléctrico fotovoltaico.



➤ **PRECAUCIÓN:** El 3024 está protegido contra polaridad invertida de batería y de PV y contra conexiones intercambiadas entre PV y batería, pero será dañado por conexión de batería invertida a los terminales del PV. Se provee protección contra transitorios de voltaje por rayos, pero voltajes estables que superen los 57VCC sobre la batería o los terminales del PV dañarán la unidad. Cualquiera de estos dos daños anula la garantía limitada.

PRECAUCIONES SOBRE LA MANIPULACIÓN ELECTROSTÁTICA

Para minimizar la probabilidad de daño, descárguese tocando un grifo de agua u otra conexión eléctrica a tierra antes de manipular el 3024 y evite tocar los componentes de la placa o tarjeta de circuitos. El riesgo de daño electrostático es mayor cuando la humedad relativa está por debajo del 40%.

SELECCIÓN DE MÓDULOS PV

El voltaje, la corriente y la potencia producidos por los módulos fotovoltaicos (PV) fluctúan ampliamente dependiendo de las condiciones de operación. Como resultado, se utilizan un conjunto de condiciones de prueba a las que se denominan Condiciones de Prueba Estándar (STC, por su sigla en inglés) para especificar los módulos en forma significativa y así predecir con precisión el rendimiento en el mundo real. Las especificaciones STC no son máximas ni óptimas. Pueden darse condiciones donde V_{OC} e I_{SC} se aproximan a 1.25 veces las condiciones de STC, por esto el Código Eléctrico Nacional y nuestras recomendaciones establecen una reducción de rango de 1.25 tanto para V_{OC} como para I_{SC} . Aún en las condiciones del mundo real, I_{MP} es comúnmente de solo 75 – 80% de I_{MP} a las STC.

Especificaciones del módulo PV:

$P_{MÁX}$	Potencia máxima en vatios ($P_{MÁX} = V_{MP} \times I_{MP}$)
V_{OC}	Voltaje con módulo a circuito abierto (típicamente $\approx 20 - 22V$ para módulos de 12V)
V_{MP}	Voltaje en el que el módulo produce la potencia máxima (típicamente $\approx 17 - 18V$ para módulos de 12V)
I_{MP}	Corriente en la que el módulo produce la máxima potencia
I_{SC}	Corriente con el módulo en cortocircuito

El 3024 proveerá el mejor rendimiento de impulso de corriente MPPT si todos los módulos PV son idénticos. Si los tipos de módulo son mezclados, no ponga módulos distintos en serie. Módulos distintos en paralelo deberán tener valores V_{MP} dentro de $\approx 0.5V$ o mejor para módulos de 12V y ser de la misma tecnología básica de celda, de modo que sus V_{MP} tenderán a seguirse al cambiar las condiciones de operación. Si los tipos de módulos son muy distintos, considere la opción de usar un controlador de carga separado para cada tipo de módulo para obtener el mejor impulso de corriente MPPT.

Seleccione módulos PV que no excedan los rangos máximos especificados a continuación y preferiblemente que produzcan al menos 3A de I_{MP} por los 100 AH de capacidad de batería.

Voltaje nominal de la batería	Límite automático de corriente	Potencia máxima de PV en STC	Isc máxima en STC	Voc máxima del PV en STC	Rango de V_{MP} recomendado en STC		
					PV de 12V nominales	PV de 18V nominales	PV de 24V nominales
12V	40A*	540W	32A*	24.0V*	16.5 – 18.5V	x	x
12V	30A	400W	16A	45.6V	x	24.8 – 27.8V	x
12V	30A	400W	12A	45.6V	x	x	33.0 – 37.0V
24V	30A	800W	24A	45.6V	x	x	33.0 – 37.0V

*El rango de corriente y el límite de corriente son 40A cuando se carga una batería de 12V con módulos PV de 12V. Si la V_{OC} del PV excede los 30V (módulos PV con más de 12V nominales) el rango de corriente y el límite de corriente se convierten en 30A.

CONFIGURACIÓN DEL SOLAR BOOST 3024



➤ El 3024 tiene varios parámetros de configuración, todos los cuales vienen pre-configurados de fábrica. Confirme que los ajustes de parámetros de carga del 3024 estén dentro de los rangos especificados por el fabricante de la batería. Los ajustes predeterminados son adecuados para la mayoría de las baterías inundadas o selladas de plomo-ácido y probablemente no necesiten cambios.

➤ Los parámetros de configuración están divididos en dos categorías: Básicos y Avanzados. Los parámetros básicos pueden ser configurados usando solamente el 3024 dentro de los pasos y rangos limitados que se muestran en la Figura 3. Los parámetros avanzados requieren el uso del remoto IPN-ProRemote para acceder a los mismos. El IPN-ProRemote también permite que los ajustes básicos sean configurados en pasos más pequeños y sobre rangos más amplios. Todos los parámetros de configuración son retenidos si se pierde la alimentación o si el IPN-ProRemote se usa únicamente como una herramienta de configuración y luego se lo quita.

Ajustes predeterminados según se envía de fábrica

Ajustes básicos

- Modo de carga 3 etapas
- Voltaje de aceptación 14.4/28.8V
- Voltaje flotante 13.2/26.4V
- Tiempo de carga 2.0 horas
- Ecuación Deshabilitada
- Dirección de la red IPN 0 (cero)
- Modo de salida auxiliar Cargador de bat. aux.
- Todos los interruptores DIP Apagados (OFF)
- Visor de corriente (SB3024Di) Total de la red IPN

Ajustes avanzados

- Voltaje de ecuación 15.2/30.4V
- Tiempo de ecuación 2.0 horas
- Días de auto ecuación 30 días
- Límite configurado de voltaje máximo 15.5/31.0V
- Corriente flotante de transición 1.5A/100 A/H
- Factor de compensación de temperatura $-5.00mV/^{\circ}C/celda$
- Voltaje de control de carga encendida ON 12.6/25.2V
- Voltaje de control de carga apagada OFF 11.5/23.0V
- Control de iluminación de anochecer a amanecer.. Inhabilitado

Restablecimiento de los ajustes predeterminados según se envía de fábrica

1. Quite el PV y la alimentación de batería.
2. Ponga **TODOS** los 8 interrump. DIP de la placa de potencia de la Fig. 3 en **ON**.
3. Restablezca la alim. de la batería durante 10 seg. y luego quítela.
4. Vuelva **TODOS** los 8 interruptores DIP de la placa de potencia a su posición predet. **OFF**.
5. Si el visor está presente ajuste los DIP del visor a #4 **ON** y #1-3 **OFF**.
6. La unidad está ahora con los ajustes predet. según se envía de fábrica.

Voltaje de batería y del PV



➤ Los voltajes nominales de batería y PV son determinados automáticamente. La batería es considerada como de 12V cuando el voltaje es menor a 16V al ser conectada por primera vez o 24V si el voltaje de la batería es mayor. El voltaje de PV es también determinado automáticamente. Si el voltaje nominal es cambiado luego de la instalación, la alimentación debe ser momentáneamente quitada para reiniciar el 3024.

Voltaje de carga, voltaje flotante y tiempo de carga

Los valores configurados del voltaje de aceptación de carga, el voltaje de carga flotante y de tiempo de carga pueden ser vistos o cambiados usando los LED de configuración de parámetros y los interruptores DIP que se muestran en la Figura 3. Opere solamente un interruptor por vez. Para ver el ajuste actual cambie momentáneamente el interruptor DIP apropiado a la posición encendido ON (V_{CHG} #8, V_{FLOT} #6 o T_{CHG} #7). Para una batería de 24V, los valores configurados de voltaje reales son duplicados.

Para cambiar un valor configurado, cambie el interruptor DIP apropiado a ON, OFF y luego a ON nuevamente antes que el LED se apague. El 3024 ingresará en el modo de configuración e irá mostrando los valores de ajuste disponibles. Cambie el interruptor DIP apagado al valor de ajuste deseado para almacenar el nuevo valor. Si el voltaje de carga flotante es ajustado a "sin flotación" ("No Float") el 3024 operará como un cargador de dos etapas, no conmutará a flotante y no mostrará el tiempo de carga en los LED de configuración.

DIAGRAMA DE CONFIGURACIÓN Y CABLEADO

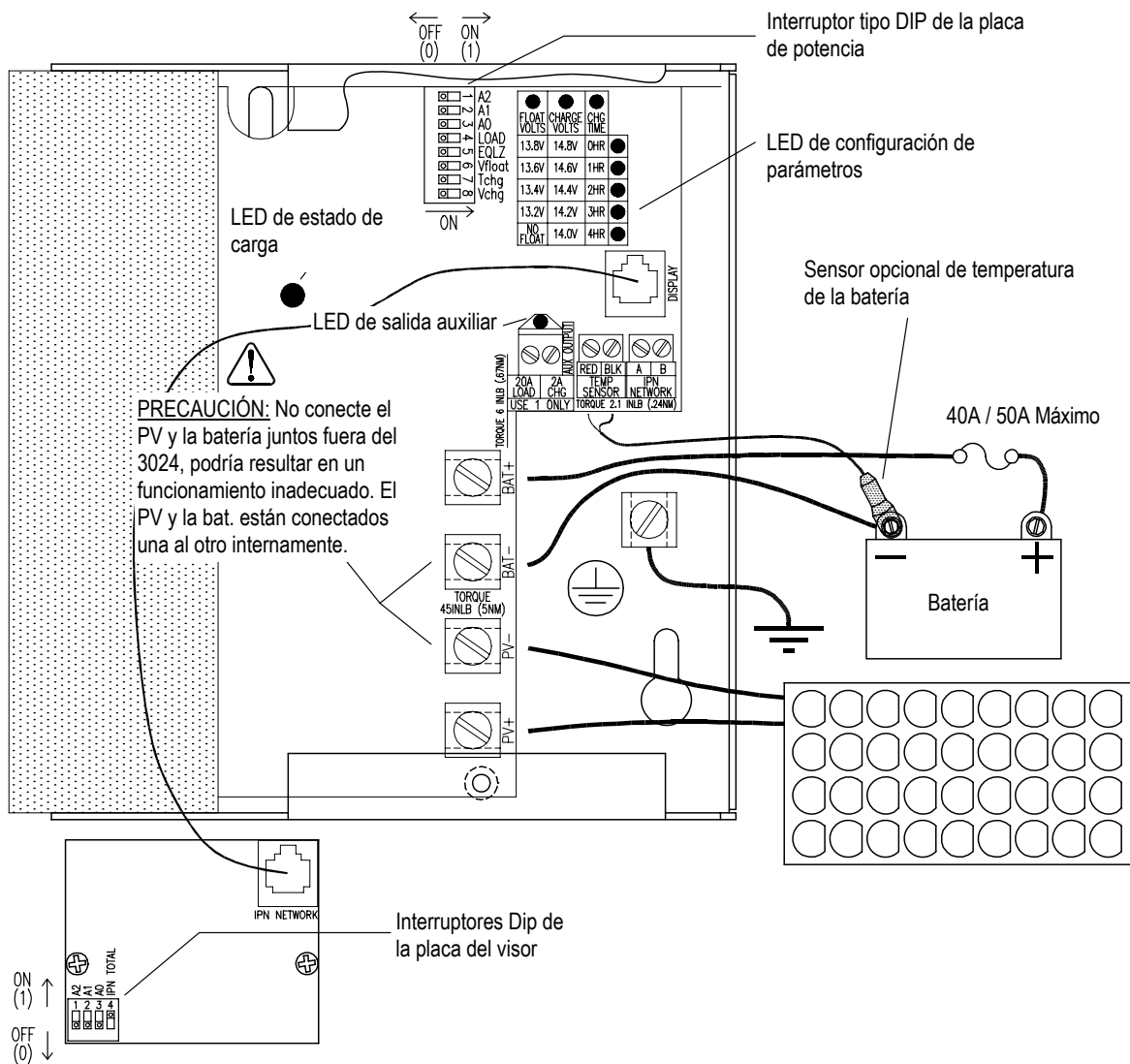


FIGURA 3

Visor de corriente de salida (únicamente en el SB3024DiL)



➤ El visor puede mostrar la corriente total de todos los controladores en red o la salida de corriente de un único controlador. Para mostrar la corriente de salida de un único controlador, la dirección de la red IPN del visor y la del controlador de carga deben coincidir.

INTERRUPTORES DIP DE LA PLACA DEL VISOR	DIRECCIÓN IPN –CORRIENTE DE SALIDA DE UNA ÚNICA UNIDAD DE CARGADOR								CORRIENTE TOTAL DE SALIDA DE TODOS LOS CARGADORES DE LA RED IPN
	0	1	2	3	4	5	6	7	
# 1 (A2)	OFF	OFF	OFF	OFF	ON	ON	ON	ON	No importa
# 2 (A1)	OFF	OFF	ON	ON	OFF	OFF	ON	ON	No importa
# 3 (A0)	OFF	ON	OFF	ON	OFF	ON	OFF	ON	No importa
# 4 (IPN Total)	OFF	OFF	OFF	OFF	OFF	OFF	OFF	OFF	ON

CABLEADO DE LA BATERÍA Y DEL PV



➤ **PRECAUCIÓN:** Los terminales de compresión de la batería y el PV aceptan cables #14–4 AWG y son ajustados a 45 pulgadas por libra (5 nm). Los terminales de compresión de la red IPN aceptan cables #24–14 AWG y están ajustados a 2.1 pulgadas por libra (0.24 nm). Los terminales de compresión de la salida auxiliar aceptan cables #24–12 AWG y son ajustados a 6 pulgadas por libra (0.67 Nm).

➤ **PRECAUCIÓN:** NO CONECTE el negativo de la batería y el negativo del PV juntos fuera del 3024 o resultará en un funcionamiento inadecuado. Bat- y PV- se conectan juntos internamente.

Una instalación deseable produciría una caída de voltaje en el cableado del sistema total de un 3% o menos. Las longitudes indicadas en la Tabla 2 son en un solo sentido desde el PV a la batería con el 3024 ubicado a lo largo del camino. La longitud del cable puede ser incrementada en forma inversamente proporcional a la corriente real. Si la corriente se reduce la mitad, las longitudes pueden duplicarse y seguirán proviendo una caída de voltaje del 3%.

MÁXIMA LONGITUD DE UN PAR DE CONDUCTORES – 3% DE CAÍDA DE VOLTAJE

CALIBRE DEL CABLE AWG	SISTEMA DE 12 VOLTIOS A 32A PIES / METROS	SISTEMA DE 24 VOLTIOS A 24A PIES / METROS
12 AWG	4.0 / 1.2	10.7 / 3.3
10 AWG	6.4 / 2.0	16.9 / 5.2
8 AWG	10.1 / 3.1	26.9 / 8.2
6 AWG	16.1 / 4.9	42.8 / 13.0
4 AWG	25.5 / 7.8	68.1 / 20.7
2 AWG	40.6 / 12.4	108.2 / 33.0
1/0 AWG	64.6 / 19.7	172.2 / 52.5

TABLA 2

COMPATIBILIDAD ELECTROMAGNÉTICA

Para cumplir con los requerimientos de compatibilidad electromagnética, el cableado de la batería y el PV del 3024 deben ser instalados en conductores metálicos puestos a tierra y deben ser instalados los dos supresores tipo abrazadera provistos. Fije un supresor alrededor de los cables Bat+ y Bat-. Fije el segundo supresor alrededor del sensor de temperatura de la batería y los cables del visor remoto con los cables en forma de lazo pasando a través del núcleo tres veces. Si son usados el sensor y el visor, la cubierta exterior del cable del sensor deberá ser pelada en ≈12" (30cm) para que ambos cables quepan a través del núcleo al pasar 3 veces. Asegúrese de que los dos supresores estén fijos de modo que no dañen los componentes de la tarjeta de circuito. Pueden ordenarse supresores adicionales como BSE número de parte 523-0005-01.

SENSOR DE TEMPERATURA DE LA BATERÍA

La instalación del sensor de batería opcional habilita la compensación en temperatura de todos los valores de voltaje de carga ajustables. En un sistema de controladores múltiples debe conectarse un único sensor de temperatura al IPN maestro. No incorpore un sensor ni conexiones que no sean los sensores de temperatura de batería de Blue Sky Energy número de parte 930-0022-20. Asegúrese de respetar la polaridad ROJO/NEGRO.

SALIDA AUXILIAR

La salida auxiliar puede servir para una de tres funciones: como cargador auxiliar de batería de 2A, como controlador de carga de 20A con desconexión por bajo voltaje (LVD por su sigla en inglés) o como un controlador de iluminación variable de anochecer a amanecer de 20A. La función de cargador/carga es seleccionada por el interruptor DIP #4 que se muestra en la Figura 3. Se necesita el Remoto IPN-ProRemote para ajustar los umbrales LVD o habilitar el control de iluminación anochecer a amanecer. Las salidas auxiliares en un sistema de múltiples controladores funcionará normalmente, pero solamente podrá ser configurada o monitoreada la salida auxiliar en el maestro mediante el uso del IPN-ProRemote. El LED de la salida auxiliar "Load" (Carga) se iluminará toda vez que la salida auxiliar esté encendida ON.



➤ **PRECAUCIÓN:** La salida auxiliar no puede realizar ambas funciones de carga auxiliar de batería y control de la carga a la vez. No conecte el terminal de carga de 20A para carga auxiliar de batería.

CARGA AUXILIAR DE BATERÍA – DIP #4 APAGADO (OFF)

La función de carga auxiliar es usada para cargar una batería auxiliar del mismo voltaje que la batería primaria. Si la batería primaria se está cargando en Aceptación o Flotante, se derivan hasta 2A a la batería auxiliar a aproximadamente el mismo voltaje de carga. La carga de batería auxiliar es deshabilitada durante la carga masiva o de equalización. Use un cable de 14 awg para minimizar la caída de voltaje y protección contra exceso de corriente de 25A. El negativo de la batería auxiliar debe conectarse al negativo de la batería primaria.

CABLEADO DE LA SALIDA AUXILIAR

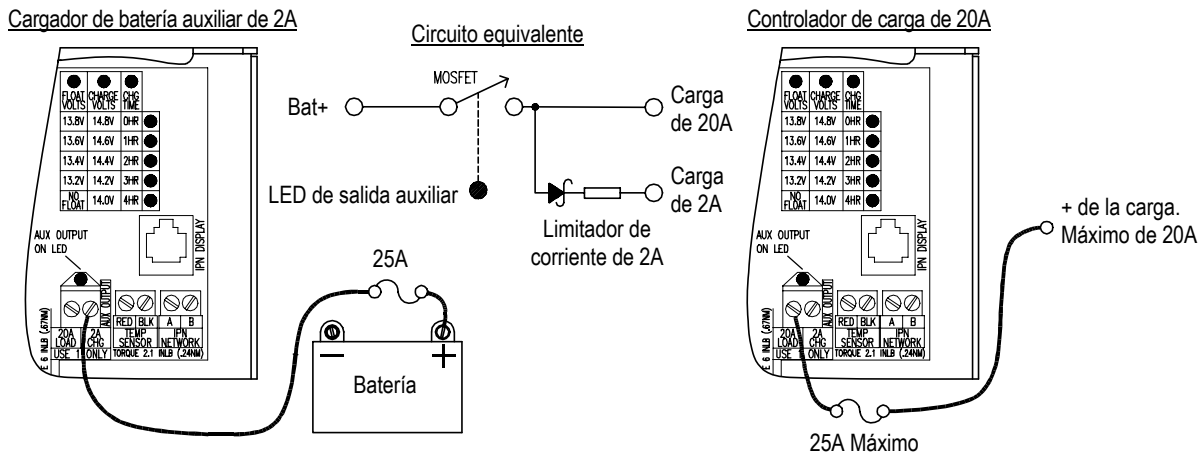


FIGURA 4

CONTROLADOR DE CARGA – DIP #4 ENCENDIDO (ON)

El controlador de carga puede proveer una salida continua desde la batería de hasta 20A. Los valores predeterminados son para la operación LVD con encendido ON a una tensión $V_{BAT} \geq 12.6/25.2V$ y apagado OFF a $V_{BAT} \leq 11.5/23.0V$, la cual puede ser cambiada usando el remoto IPN-ProRemote. La operación también puede ser basada en los AH netos de la batería si está presente un remoto IPN-ProRemote. La condición de encendido/apagado ON/OFF debe estar válida durante 20 segundos antes de que ocurra la conmutación. Si los valores más altos o más bajos son invertidos, la lógica de control de salida es invertida. El negativo de la carga debe conectarse al negativo de la batería.



➤ **PRECAUCIÓN:** La protección contra exceso de corriente máxima de 25A para el control de carga debe ser provista externamente. Si la salida de control de carga es configurada para operar en base a los AH netos de la batería, configure también los umbrales de voltaje encendido/apagado ON/OFF. Si no están disponibles los AH de los datos completos, se retomará la operación basada en el voltaje. Los umbrales de voltaje o AH de apagado/encendido ON/OFF no deben ser del mismo valor o resultará en una operación inadecuada.

CONTROL DE ILUMINACIÓN DE ANOCHECER A AMANECER – DIP #4 ENCENDIDO (ON)

Se necesita contar con un remoto IPN-ProRemote con versión de software V2.00 o posterior para habilitar el control de iluminación. Vea el manual de operador del IPN-ProRemote para obtener las instrucciones de configuración de control de iluminación. Hay valores ajustables de tiempo variables para encender la iluminación después del anochecer (temporizador post anochecer) y/o encender antes del amanecer (temporizador pre amanecer). Si ambos temporizadores están ajustados en INHABILITADO (que es el predeterminado de fábrica) la prestación de control de iluminación está inhabilitada. Si uno de los temporizadores, ya sea el post anochecer o el pre amanecer, está ajustado a un valor de tiempo, la prestación de control es habilitada. Cuando el control de iluminación es habilitado, las salidas auxiliares son controladas por ambas funciones, la de control de carga normal y la de control de iluminación de modo que prevalezca cualquiera de las funciones que quiera apagar la salida auxiliar.

El anochecer o la noche comienzan cuando el sistema de control de carga se apaga, lo cual ocurre cuando la corriente del módulo PV cae por debajo de $\approx 50mA$ con el voltaje de la batería. El amanecer o el día comienzan cuando el sistema de control de carga se enciende, lo cual ocurre cuando la corriente del módulo PV aumenta a $\approx 100mA$ con el voltaje de la batería. Si el temporizador post anochecer fue ajustado para 1.0 horas y el temporizador pre amanecer fue ajustado para 2.0 horas, las luces se encenderán al anochecer, permanecerán encendidas por una hora y luego se apagarán. Dos horas antes del amanecer, las luces se encenderán nuevamente y permanecerán encendidas hasta el amanecer. Para una iluminación completa desde el anochecer al amanecer, ajuste el temporizador post atardecer para 20 horas. Las luces siempre estarán apagadas mientras que el sistema de control de carga esté encendido.

Cuando el 3024 recibe alimentación de batería por primera vez, no sabe cuándo se espera que ocurra el amanecer. Como resultado, el control pre amanecer no opera durante la primera noche. Una vez que el periodo de la noche de 4 horas o más es detectado, este periodo es almacenado y operará el control pre amanecer. Cada periodo de tiempo nocturno subsiguiente mayor de 4 horas es agregado a un promedio filtrado de tiempo nocturno.

INSTALACIÓN DE UN SISTEMA DE MÚLTIPLES CONTROLADORES

Mediante la conexión tipo margarita o “daisy chain” de un par trenzado de cables desde el bloque terminal de la red IPN, se establece un enlace de comunicación entre los controladores, controlador a controlador (A-hasta-A, B-hasta-B) según se muestra en la Figura 5. Pueden conectarse juntos hasta 8 controladores de carga basados en IPN en un sistema de múltiples controladores. La dirección de dispositivo 0 (cero) es la maestra y del 1 al 7 son esclavos. El maestro controla el proceso de carga y dirige las actividades de los esclavos. El sistema de control de carga arrancará en cuanto uno o más controladores reciban alimentación de entrada de los PV.

CABLEADO Y CONFIGURACIÓN DE UN SISTEMA DE MÚLTIPLES CONTROLADORES



- **PRECAUCIÓN:** Un sistema de múltiples controladores requiere de la siguiente instalación y configuración especializada:
- 1) Cada controlador debe ser conectado a y cargar la misma batería.
 - 2) Un controlador debe ser ajustado a la dirección IPN (cero) y los otros ser ajustados a las direcciones 1 a 7 sin controladores ajustados con el mismo número.
 - 3) Los parámetros de carga son ajustados solamente en el maestro.
 - 4) Mientras que las salidas se conectan en paralelo a una batería en común, las entradas de los PV deben ser completamente separadas. Un conjunto de PV grande debe ser dividido en subconjuntos, cada uno con cableado separado de PV+ y PV-.
 - 5) Todos los controladores deben ser conectados a la red IPN como se muestra en la Figura 5.

CABLEADO DE LA RED IPN

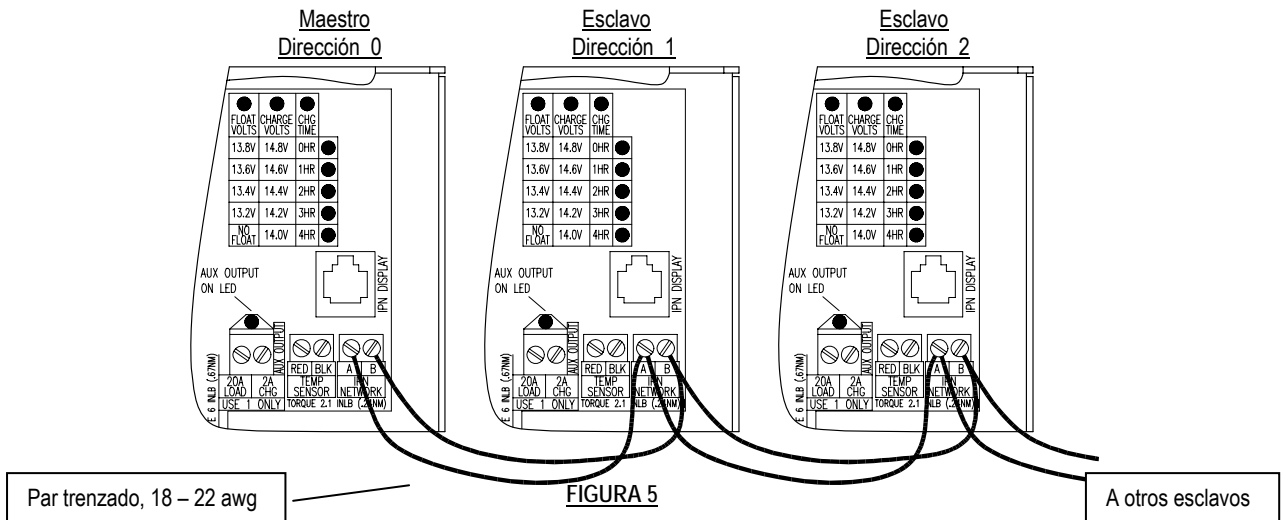


FIGURA 5

Dirección de la red IPN



➤ Un controlador único debe ser ajustado para la dirección 0 (cero) de la red IPN. En un sistema de múltiples controladores, un controlador debe ser ajustado a la dirección 0 (cero) para servir como maestro. Los otros controladores deben ser ajustados a las direcciones 1 a 7 sin dos controladores con el mismo número.

INTERR. DIP DE LA PLACA DE ALIMENTACIÓN	DIRECCIÓN DE LA RED IPN							
	MAESTRO 0	1	2	3	4	5	6	7
# 1 (A2)	OFF	OFF	OFF	OFF	ON	ON	ON	ON
# 2 (A1)	OFF	OFF	ON	ON	OFF	OFF	ON	ON
# 3 (A0)	OFF	ON	OFF	ON	OFF	ON	OFF	ON

MONTAJE



➤ **PRECAUCIÓN:** Monte la unidad con las aletas de disipación orientadas verticalmente para facilitar el enfriamiento y no la encierre en un espacio confinado. El 3024 no es a prueba de agua y debe ser protegido de la lluvia, la nieve y la humedad excesiva.

DIBUJO DIMENSIONAL DETALLADO

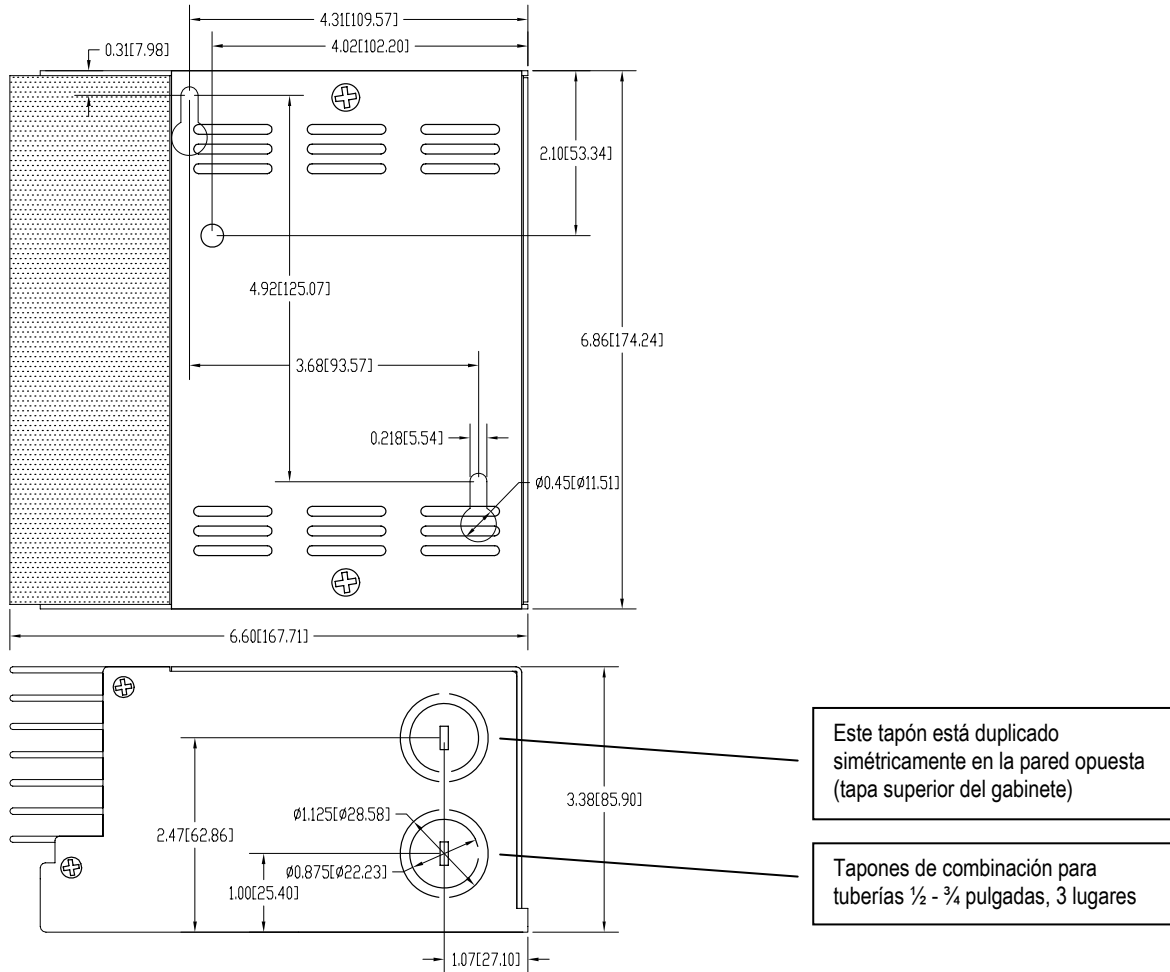


FIGURA 6

GUÍA DE RASTREO DE FALLAS

SÍNTOMA	CAUSA PROBABLE	ÍTEMS A EXAMINAR O CORREGIR
Completamente muerto, sin visor	Sin alimentación de batería	Batería desconectada, excesivamente descargada (<9V) o conectada en polaridad invertida. La batería alimenta la unidad, no el PV.
La unidad no se enciende (el LED de estado de carga está apagado), el visor, si está presente, puede estar funcionando correctamente	PV desconectado PV en polaridad invertida Dirección IPN de la red ajustada incorrectamente Baja alimentación de batería Fluctuaciones extremas de voltaje o interferencia han causado que el microprocesador se bloquee	El PV debe suministrar al menos 0.15A a un voltaje apenas superior al de batería para comenzar la carga. La polaridad invertida del PV provocará calentamiento de los disipadores. Una unidad única debe ser ajustada para la dirección 0 (cero) de la red IPN. Una unidad de una red de múltiples unidades debe ser ajustada para la dirección 0 (cero) de la red IPN Y todas las otras unidades deben ser ajustadas a diferentes direcciones. Batería excesivamente descargada (<9V). La batería alimenta la unidad, no el PV. Reinicie el microprocesador, quitando toda la alimentación. Reconecte la alimentación limpiamente.
La unidad entra en un ciclo de encendido/apagado	El PV- conectado al BAT- en forma externa a la unidad	PV- y BAT- deben estar separados en el exterior de la unidad para un funcionamiento adecuado y no pueden ser conectados a un lugar en común. La conexión externa impide la operación adecuada de los derivadores internos de corriente y del sistema de medición de corriente.
El LED de estado de carga está encendido pero no hay salida de corriente de carga	El voltaje de la batería es más grande que el valor configurado de carga Voltaje de batería demasiado bajo La unidad reconoce el voltaje de batería como de 12V cuando en realidad es de 24V	Este es un funcionamiento normal. La salida está apagada debido a un alto voltaje de batería, el cual puede ser causado por otros sistemas en carga. El voltaje de la batería debe ser de al menos 9V para que la unidad funcione. El voltaje de la batería es determinado automáticamente primero cuando la unidad recibe alimentación. El voltaje debe ser mayor a 16V para reconocer a la batería como de 24V. Quite toda la alimentación y reaplique la batería rápida y limpiamente.
El LED de estado de carga destella rápidamente	Sistema en modo de equalización	Inhabilite la equalización a través del remoto IPN-ProRemote o conmutando el interruptor DIP #5 a la posición apagada (OFF).
La corriente de carga es más baja de lo esperada, la corriente del PV puede ser baja también	La batería está altamente cargada Módulos PV desgastados Baja aislación PV- conectado a BAT- El voltaje del PV ha cambiado de 18V o 24V a 12V El límite de corriente ha conmutado a 30A	Funcionamiento normal, la corriente se reduce si el voltaje de batería está en el valor configurado. Replácelo o úselo como está. Niebla atmosférica, el PV está sucio, el sol está bajo sobre el horizonte, etc. PV- y BAT- deben estar separados en el exterior de la unidad para un funcionamiento apropiado y no pueden conectarse a un lugar en común. La conexión externa impide el funcionamiento apropiado de los derivadores de corriente internos y del sistema de medición de corriente. Si el voltaje del PV es cambiado a 12V, toda alimentación debe ser quitada momentáneamente para reiniciar la unidad y cargar los valores iniciales de control de carga del PV. Operación normal. El límite de corriente cambiará a 30A si la V_{OC} del PV ha excedido los 30V, lo cual ocurrirá con PV de voltaje nominal mayor a 12V. Reconfigure los PV para 12V y reinicie el 3024 para retomar el límite de corriente de 40A.
El impulso de corriente MPPT es menor de lo esperado	El voltaje máximo del PV (V_{MP}) no es mucho más alto que el voltaje de la batería, dejando que se extraiga poca potencia extra El PV está caliente El voltaje nominal del PV ha cambiado de 18V o 24V a 12V	PV con bajo V_{MP} . Los PV con mayor V_{MP} producen mayor potencia y potencial de impulso de corriente. Los PV con $V_{MP} \geq 17V$ funcionan mejor. Una caída excesiva de voltaje de PV en el cableado, debido a cableado de diámetro menor que lo necesario, malas conexiones, etc. La batería está prácticamente cargada y el voltaje de batería es alto. La salida durante la operación MPPT es a "potencia constante", el voltaje de batería más alto se reduce y la corriente de carga se incrementa. El V_{MP} y la potencia disponible se reducen al incrementarse la temperatura de la celda del PV. Un PV más frío producirá mayor impulso de corriente. Es normal que el impulso de corriente se reduzca a medida que la temperatura aumenta. Si el voltaje de PV es cambiado de 12V, toda alimentación deberá ser quitada momentáneamente para reiniciar la unidad y los valores de control de carga inicial de PV.

SÍNTOMA	CAUSA PROBABLE	ÍTEM A EXAMINAR O CORREGIR
La batería auxiliar no carga	<p>Salida auxiliar no configurada para carga de batería auxiliar</p> <p>La batería primaria no está altamente cargada</p> <p>La carga en la batería auxiliar es demasiado alta</p>	<p>Confirme que el interruptor tipo DIP #4 esté apagado (OFF).</p> <p>La batería auxiliar no recibirá carga a menos que la batería primaria esté altamente cargada en aceptación o flotante.</p> <p>La corriente auxiliar de carga máxima es de aproximadamente 2A. La carga puede necesitar ser reducida.</p>
El sistema aparenta estar OK pero no conmuta correctamente entre carga masiva, de aceptación ni flotante	<p>No está ajustado para una carga de 3 etapas.</p> <p>El sistema no cambia de carga masiva a aceptación o flotante</p> <p>El sistema no conmuta de flotante a masiva ni aceptación</p> <p>El sistema no conmuta de aceptación a flotante</p> <p>El sistema muestra aceptación en algunas oportunidades pero el voltaje de la batería es bajo y la corriente es muy alta, cerca de la especificación máxima.</p>	<p>Verifique el valor configurado de voltaje flotante.</p> <p>La batería está altamente descargada o es muy grande con respecto a la corriente de carga neta disponible. La potencia de PV puede ser demasiado baja o las cargas demasiado altas.</p> <p>Operación normal. La unidad permanece en flotante y no conmutará a masiva o aceptación hasta que sea capaz de mantener la batería en el valor configurado de voltaje flotante.</p> <p>La batería no está completamente cargada. La unidad no conmutará a flotante hasta que el voltaje de la batería no permanezca continuamente al valor configurado de voltaje de aceptación durante el período de tiempo de carga (o la corriente neta de batería caiga al valor configurado de corriente de transición flotante si se usa el remoto IPN-ProRemote).</p> <p>Operación normal. Si la unidad entra en límite de corriente, pasará a través de aceptación por cerca de 10 segundos hasta que salga del límite de corriente y regrese a carga masiva/MPPT.</p>
El control de carga no funciona adecuadamente	<p>La salida auxiliar no está ajustada para control de carga</p> <p>La salida puede haberse apagado debido a la baja carga de batería</p> <p>Los umbrales ON/OFF están ajustados para valores inadecuados</p> <p>Prestación de anochecer a amanecer habilitada</p>	<p>Confirme que el interruptor tipo DIP #4 esté encendido (ON).</p> <p>La carga se apagará si el voltaje de batería cae por debajo del umbral de apagado OFF (predeterminado: 11.5/23.0V). Una vez que se apaga, la carga se encenderá hasta que el voltaje de batería esté por encima del umbral de encendido ON (predeterminado: 12.6/25.2V).</p> <p>Corrija los valores ajustados.</p> <p>Inhabilite el control de anochecer a amanecer.</p>
Con la prestación anochecer - amanecer las luces no se encienden o permanecen encendidas	<p>Salida auxiliar no ajustada para control de carga</p> <p>La salida puede haberse apagado debido a la baja carga de batería</p> <p>El sistema de control de carga está encendido</p> <p>Los temporizadores están ajustados en forma incorrecta</p> <p>El primer tiempo válido de la noche no se ha visto todavía</p>	<p>Confirme que el interruptor tipo DIP #4 esté encendido(ON) y el control anochecer-amanecer habilitado.</p> <p>La carga se apagará si el voltaje de la batería cae por debajo del umbral de apagado OFF (predeterminado: 11.5/23.0V). Una vez que se apaga, la carga no volverá a encenderse hasta que el voltaje de la batería esté por encima del umbral de encendido (ON) (predeterminado 12.6/25.2V).</p> <p>Las luces no se encenderán si el sistema de control de carga está encendido y cargando.</p> <p>Verifique los valores ajustados para el temporizador post anochecer y pre amanecer</p> <p>La iluminación pre amanecer no opera hasta que un horario nocturno válido de más de 2 horas es detectado para iniciar el período de noche.</p>

SÍNTOMA	CAUSA PROBABLE	ÍTEM A EXAMINAR O CORREGIR
Las luces de la prestación anochecer - amanecer no se apagan o permanecen apagadas	<p>La salida auxiliar no está ajustada para el control de carga</p> <p>La prestación anochecer - amanecer no está habilitada.</p> <p>Los temporizadores están ajustados en forma incorrecta</p> <p>El control de carga no enciende</p>	<p>Confirme que el interruptor tipo DIP #4 esté encendido (ON) y que esté habilitada la función de anochecer a amanecer.</p> <p>Los temporizadores post anochecer y pre amanecer están ajustados en la posición DESHABILITADO (DISABLED). Uno o ambos temporizadores deben ser configurados para habilitar la prestación anochecer - amanecer.</p> <p>Corrija las configuraciones de los temporizadores de post anochecer y pre amanecer.</p> <p>Verifique el funcionamiento del control de carga</p>
Las unidades conectadas en red no parecen coordinar acciones o los esclavos no se encienden	<p>Las direcciones de la red IPN están ajustadas en forma incorrecta.</p> <p>Problema de cableado de la red</p>	<p>Solamente una unidad debe ser ajustada a la dirección 0 (cero) de la red IPN.</p> <p>Una unidad de una red de múltiples unidades debe ser ajustada a la dirección 0 (cero) de la red IPN Y todas las otras unidades deben ser ajustadas en diferentes direcciones.</p> <p>Verifique el cableado. Use el remoto IPN-ProRemote para ver el estado de la unidad de carga y confirmar la comunicación.</p>
Las funciones relativas a las temperaturas no funcionan.	<p>Falta el sensor de temperatura, falla o está instalado con la polaridad invertida</p> <p>El sensor de temperatura no está instalado en el maestro.</p>	<p>Si el sensor está abierto, en corto, en polaridad invertida o faltante, la unidad operará como si el sensor estuviera a 25°C. El voltaje del sensor cuando está conectado debe ser de 2.98V a 25°C, cambiando a un ritmo de +10mV/°C.</p> <p>El sensor de temperatura debe ser instalado en el maestro en un sistema multicontrolador.</p>
El visor se enciende pero el voltaje de batería aparece como "-- --" en lugar de un número	El visor no se comunica con el controlador de carga	<p>Falla en el cable</p> <p>Un solo controlador debe ser el maestro.</p> <p>Malas conexiones o pérdida de la conexión con el Bat – que impiden la comunicación</p>
Cuando el cargador se enciende, la corriente de salida muestra "-- --" en vez de un número	La selección de visor de corriente de salida está configurada para una dirección que no está presente en la red IPN	Configure la dirección del visor de la red IPN para un cargador presente en la red IPN.
La carga se apaga en ambiente de alta temperatura	El sistema se apaga momentáneamente debido a la alta temperatura del disipador de calor	Mejore la ventilación o reduzca la potencia del PV. Una ventilación suficiente como para prevenir el apagado de sobre temperatura mejorará la confiabilidad. Vea el Boletín Técnico #100206.
Cuando se enciende el cargador, la corriente de salida aparece en el visor pero el valor parece ser incorrecto	<p>La selección del visor de corriente de salida está ajustada para una dirección incorrecta de la red IPN</p> <p>Bat- conectada a PV- fuera del controlador de carga</p>	<p>Configure el interruptor DIP de la dirección del visor de la red IPN para que lea la corriente de salida deseada.</p> <p>PV- y BAT- deben estar separados en el exterior de la unidad para un funcionamiento adecuado y no deben conectarse a un lugar en común. La conexión externa impide el funcionamiento adecuado de los derivadores de corriente internos y del sistema de medición de corriente.</p>
El voltaje o el valor de corriente mostrados en el visor parecen estar trabados y no cambian	<p>El visor o el controlador de carga diseccionado en la red IPN ha cambiado</p> <p>El visor no se comunica con el controlador de carga</p>	<p>Configure el interruptor DIP de la dirección del visor de la red IPN para que lea adecuadamente la corriente de salida de un cargador presente en la red IPN</p> <p>Falsos contactos intermitentes en el cable del visor.</p>

ESPECIFICACIONES

ESPECIFICACIONES	Solar Boost 3024iL y 3024DiL
Especificación de corriente de salida	30A / 40A ³¹
Voltaje de batería nominal	12 / 24V
Voltaje de entrada de PV	57V máximos
Consumo de potencia	En espera 0.35W típicos • 1.0W con la carga encendida
Algoritmo de carga	3 etapas: Masiva/Aceptación/Flotante • más Ecuilización
Voltaje de aceptación	14.4V ³² (rango de 14.0 – 14.8V ³² , 10.0 – 40.0V ³³)
Voltaje flotante	13.2V ³² (rango de 13.2 – 13.8V ³² , 10.0 – 40.0V ³³)
Voltaje de ecuilización	15.2V ³² (rango de 10.0 – 40.0V ³³) • automático o manual
Valor configurado de límite de voltaje	15.5V ³² (rango de 10.0 – 40.0V ³³)
Salida auxiliar	Salida única configurable como controlador de carga de 20A o cargador de batería auxiliar de 2A.
• Carga de batería auxiliar	2A típicos, con el mismo voltaje de carga que la batería primaria
• Control de carga	20A máximos, Encendido $\geq 12.6V^{32}$ / Apagado $\leq 11.5V^{32}$ (Rango de 10.0 – 40.0V ³³ , o AH ³³ netos de batería)
• Control anochecer - amanecer ³³	Temporizadores variables pos anochecer y pre amanecer ³³ , Rango de 0.5 – 20.0 horas
Compensación de temperatura	Con sensores opcionales que ajustan el voltaje de carga basándose en la temperatura de la batería –5.00 mV/°C/ Factor de corrección (Rango de 0.00 a –8.00 mV/°C/celda ³³) • rango del sensor –60 a +80°C
Eficiencia en la conversión de potencia	97% típicos a 28V / 24A de salida
Dimensiones del gabinete	6 $\frac{1}{8}$ " Alto x 6 $\frac{5}{8}$ " Ancho x 3 $\frac{3}{8}$ " Profundidad (17.4cm x 16.8cm x 8.59cm)
Precisión/ rango de Voltio/Amp	Voltímetros de batería 40.0V \pm 0.50% a fondo de escala Voltímetro del PV 60.0V \pm 0.50% a fondo de escala • Amperímetros 41.0A \pm 0.50% a fondo de escala
Comunicación	Red de interfaz IPN de propiedad de Blue Sky Energy
Ambiental	–40 a +40°C, 10 – 90% HR sin condensación

Como parte de nuestro proceso de mejora continua,
Las especificaciones están sujetas a cambios sin previo aviso

³² SB3024i solo, los voltajes se duplican para una batería de 24V

³³ Con remoto IPN-ProRemote

³¹ 40A con batería de 12V y módulos PV de 12V

GARANTÍA LIMITADA DE 5 AÑOS

Blue Sky Energy, Inc. (en adelante BSE), garantiza por la presente al consumidor-comprador original que el producto o cualquiera de sus partes estará libre de fallas de mano de obra o materiales por un periodo de cinco (5) años, sujeto a las condiciones establecidas debajo.

- Esta garantía limitada se extiende al consumidor-comprador original del producto y a ninguna otra persona.
- El período de garantía limitada comienza en la fecha de venta del producto al consumidor comprador original. Para obtener reparaciones dentro de la garantía, se deberá acompañar el producto con una copia del recibo de compra original que identifique al comprador y la fecha de compra.
- Esta garantía limitada no aplicará (y cualquier garantía futura será anulada) a ningún producto o parte del mismo que sufra daños por a) alteración, desarmado o aplicación de una sustancia extraña, b) reparación o servicio no realizado por una instalación de reparaciones autorizada por BSE, c) accidente o abuso, d) corrosión, e) relámpago o cualquier otro acto de la naturaleza, f) operación o instalación contrarias a las instrucciones que corresponden al producto, ó g) envejecimiento cosmético.
- Si la examinación del producto por BSE determina que el mismo no es defectuoso, se le cobrará al consumidor una tarifa de prueba y evaluación de \$40 y será responsable de todos los costos de transporte y seguro relacionados con la devolución del producto al consumidor. El consumidor será responsable final de la correcta instalación y operación del producto, y la asistencia previa de BSE para la detección y resolución de problemas no servirá para eximirlo del honorario de prueba y evaluación. La tarifa de prueba y evaluación queda sujeta a cambio sin previo aviso.
- Si el producto estuviera incluido dentro de la cobertura de esta garantía limitada, BSE lo reparará o reemplazará a su sola discreción, y devolverá el producto vía transporte terrestre común, a elección de BSE, dentro del territorio continental de los Estados Unidos. El consumidor será responsable de todos los costos de transporte y seguro por la devolución del producto fuera del territorio continental de los Estados Unidos, y de todos los costos de transporte y seguro relacionados con la devolución vía urgente del producto. La responsabilidad de BSE por cualquier producto defectuoso o cualquier parte del mismo quedará limitada a la reparación o reemplazo del producto. BSE no será responsable de ninguna pérdida o daño a personas o a propiedades, o de ningún otro daño, ya sea incidental, consecencial o de cualquier otra naturaleza, causado por defectos del producto o de partes del mismo.
- Toda garantía implícita de comerciabilidad o aptitud para un propósito en particular estará limitada a la duración de esta garantía.
- Para obtener reparaciones dentro de la garantía, comunicarse con BSE al 760-597-1642 para obtener un número de Autorización de Devolución de Mercaderías (RGA, por sus siglas en inglés). Colocar en el exterior del paquete el número de RGA y devolver el producto a la dirección abajo indicada, asegurado y con franqueo prepago. El consumidor será responsable de todos los costos de transporte y seguro relacionados con la devolución del producto a BSE, y de cualquier daño producido durante el transporte que pudiera anular la garantía o aumentar los costos de reparación.



SOLAR BOOST™ 3024iL

RÉGULATEUR DE CHARGE PHOTOVOLTAÏQUE
 MAXIMUM POWER POINT TRACKING 30 A - 24 VDC / 40 A - 12 VDC

MANUEL D'INSTALLATION ET D'UTILISATION



CONFORME À
 LA NORME UL 1741
 CERTIFIÉ SUIVANT LA
 NORME CAN/CSA E335-1/2E



CONFORME À
 EN 61326-1:2006
 EN 60335-1:2002 + A11:2004 + A1:2004
 EN 60335-2-29:2004

Cet appareil est conforme à la partie 15 des règles FCC. Son utilisation est sujette aux deux conditions suivantes : 1) Cet appareil ne doit pas produire de brouillage préjudiciable et 2) Cet appareil doit accepter tout les brouillages reçus, y compris ceux susceptibles de provoquer un fonctionnement indésirable.



CE MANUEL CONTIENT DES INSTRUCTIONS IMPORTANTES POUR LES MODÈLES SB3024iL, SB3024DiL
 PRIÈRE DE SAUVEGARDER CES INSTRUCTIONS

COUVERT PAR UN OU PLUSIEURS DES BREVET AMÉRICAINS SUIVANTS
 6,111,391 • 6,204,645

TABLE DES MATIÈRES

INSTRUCTIONS DE SÉCURITÉ IMPORTANTES	34
DESCRIPTION DU PRODUIT	35
Références des pièces et options	35
FONCTIONNEMENT	35
Indicateur d'état de charge	35
Afficheur numérique en option	35
Afficheurs à distance en option	35
Régulation de charge multi-phases	35
Charge rapide	35
Charge à capacité	35
Charge d'entretien	36
Égalisation	36
Égalisation automatique	36
Égalisation manuelle	36
Limite d'intensité	36
Température et puissance de sortie	36
Compensation thermique en option	37
Limite de tension de consigne maximale	37
Maximum Power Point Tracking (MPPT)	37
Multiples régulateurs de charge sur le réseau IPN	37
INSTALLATION	37
Mesures de précaution contre les charges électrostatiques	37
Choix des modules PV	38
Configuration du Solar Boost 3024	38
Réglages par défaut au départ de l'usine	38
Rétablissement des réglages par défaut de l'usine	38
Tension de batterie et PV	39
Tension de charge, tension d'entretien et durée de charge	39
Affichage de l'intensité de sortie	40
Câblage de batterie et PV	40
Compatibilité électromagnétique	40
Sonde de température de batterie	40
Sortie auxiliaire	40
Charge de batterie auxiliaire	41
Régulateur de puissance	41
Commande d'éclairage nocturne	41
Installation d'un système multi-régulateur	42
Câblage et configuration du système multi-régulateur	42
Adressage du réseau IPN	42
Pose	43
GUIDE DE DÉPANNAGE	44
CARACTÉRISTIQUES TECHNIQUES	46
GARANTIE LIMITÉE DEUX ANS	46
TABLES ET FIGURES	
Table 1 Indicateur d'état de charge	35
Table 2 Longueur maximale des paires de conducteurs - Chute de tension de 3 %	40
Figure 1 Indicateurs du panneau frontal et de l'afficheur à distance	36
Figure 2 Tension de charge de consigne (défaut usine) en fonction de la température de batterie	37
Figure 3 Schéma de configuration et de câblage	39
Figure 4 Câblage de la sortie auxiliaire	41
Figure 5 Câblage du réseau IPN	42
Figure 6 Plan coté détaillé	43

INSTRUCTIONS DE SÉCURITÉ IMPORTANTES

Ce manuel contient des instructions importantes pour les modèles SB3024iL et SB3024DiL
CONSERVER CES INSTRUCTIONS

1. Confier l'installation et l'entretien à du personnel qualifié. L'appareil ne contient aucune pièce réparable par l'utilisateur.
2. Pour réduire le risque de décharge électrique, d'incendie ou de blessure corporelle, les symboles suivants sont utilisés dans ce manuel pour signaler des situations dangereuses ou des instructions de sécurité ou d'exploitation importantes.

AVERTISSEMENT	ATTENTION	IMPORTANT
		
Signale des situations dangereuses ou des risques de décharge électrique. Faire preuve de très grande précaution.	Signale des points essentiels à une installation ou une exploitation sans danger de l'appareil.	Suivre ces instructions avec attention pour utiliser correctement l'appareil

3. PRÉCAUTIONS INDIVIDUELLES
 - a) Travailler au voisinage de batteries au plomb est dangereux. Les batteries dégagent des gaz explosifs durant la marche normale.
 - b) Pour réduire les risques d'explosion de la batterie, suivre ces instructions et celles publiées par le fabricant de batterie et par le fabricant de tout matériel devant être utilisé au voisinage de la batterie.
 - c) Lors du travail au voisinage d'une batterie au plomb, s'assurer qu'il y a quelqu'un à portée de voix ou suffisamment près pour venir à l'aide le cas échéant.
 - d) Veiller à avoir beaucoup d'eau fraîche et de savon à proximité en cas de contact de l'acide de batterie avec la peau, les vêtements ou les yeux.
 - e) Porter une protection oculaire complète et une tenue protectrice. Éviter de toucher les yeux lors travail près d'une batterie.
 - f) En cas de contact de l'acide de batterie avec la peau ou les vêtements, laver immédiatement au savon et à l'eau. Si l'acide entre dans les yeux, laver immédiatement abondamment à l'eau courante froide pendant au moins 10 minutes et obtenir des soins médicaux immédiats.
 - g) NE JAMAIS FUMER ni permettre la présence d'étincelles ou de flammes au voisinage de la batterie.
 - h) Faire preuve de précautions particulières pour éviter la chute d'outils en métal sur la batterie. Ceci peut produire des étincelles ou court-circuiter la batterie ou autre composant électrique pouvant provoquer une explosion.
 - i) Enlever les articles personnels tels que bagues, bracelets et montre avant de travailler avec une batterie au plomb. Une batterie au plomb peut produire un courant de court-circuit suffisamment fort pour souder une bague ou autre objet semblable au métal et causer une brûlure grave.
 - j) Couper toute source de courant secteur, photovoltaïque ou d'accumulateurs avant l'installation ou l'entretien.
4. EMLACEMENT ET INSTALLATION DU CHARGEUR
 - k) Cet appareil est conçu pour charger des batteries d'accumulateurs chimiques au plomb de type électrolyte ou sans entretien de 12 V (6 éléments) ou 24 V (12 éléments) dans la plage 20 à 10 000 AH. S'il est envisagé d'utiliser cet appareil avec une batterie d'un autre type chimique, suivre les conseils de charge du fabricant de batterie.
 - l) Cet appareil utilise des composants susceptibles de produire des arcs ou étincelles électriques. NE JAMAIS l'installer dans le compartiment de batterie ni en présence de gaz explosifs.
 - m) Cet appareil doit être installé et câblé en conformité avec le National Electrical Code, ANSI/NFPA 70 (ou autre réglementation en vigueur).
 - n) Prévoir une protection externe de la batterie contre les surintensités. Pour réduire le risque d'incendie, raccorder à un circuit équipé d'une protection contre les surintensités de circuit de dérivation de 50 A maximum conforme au National Electrical Code, ANSI/NFPA 70.
 - o) La protection contre les surintensités pour la sortie de régulation de puissance auxiliaire ou la sortie de charge de batterie auxiliaire doit être assurée de façon externe. Pour réduire le risque d'incendie, raccorder à une charge ou à une batterie auxiliaire équipée d'une protection contre les surintensités de 25 A maximum conforme au National Electrical Code, ANSI/NFPA 70.
 - p) S'assurer que l'appareil est correctement configuré pour la batterie à charger.
 - q) L'appareil n'est pas étanche à l'eau. Ne pas l'exposer à la pluie ni à la neige.
 - r) Vérifier que tous raccords de branchement sont propres et bien serrés. Les bornes à compression de batterie et de panneau PV doivent être serrées à 5 Nm (45 po.lb). Les bornes à compression de réseau IPN et de sonde de température de batterie doivent être serrées à 0,24 Nm (2,1 po.lb). Les bornes à compression de sortie auxiliaire doivent être serrées à 0,67 Nm (6 po.lb).
 - s) Ne pas raccorder à un panneau PV capable de produire un courant de court-circuit de plus de 32 A pour des modules PV de 12 V nominaux or un courant de court-circuit de 24 A pour des modules PV de plus de 12V nominaux. Limiter le courant de court-circuit d'entrée à 12 A si le mode entrée 24 V/sortie 12 V est utilisé.
 - t) Cet appareil n'est pas équipé d'un dispositif détecteur/disjoncteur différentiel (GFDI) et doit être utilisé avec un dispositif GFDI externe conformément à l'article 690 du National Electrical Code pour le lieu d'installation
5. PRÉPARATION POUR LA CHARGE
 - d) Ne jamais charger une batterie gelée.
 - e) S'assurer que la batterie est installée dans un compartiment bien aéré.
 - f) Ajouter de l'eau distillée dans chaque élément d'une batterie au plomb jusqu'à ce que l'acide soit au niveau spécifié par le fabricant.

DESCRIPTION DU PRODUIT

Le Solar Boost™ 3024iL est un régulateur de charge de batterie photovoltaïque à phases multiples de type MPPT (*Maximum Power Point Tracking*) capable de fournir jusqu'à 30 ou 40 A, en fonction des modules PV et de la tension de batterie. La sortie auxiliaire peut servir soit de chargeur de batterie auxiliaire de 2 A, soit de régulateur de puissance de 20 A avec ou sans commande d'éclairage nocturne variable. Le 3024 comporte une interface de réseau IPN permettant à plusieurs régulateurs de charge de communiquer entre eux et de fonctionner en tant qu'appareil de charge unique.

RÉFÉRENCES DES PIÈCES ET OPTIONS

- SB3024iL..... Régulateur de charge Solar Boost 3024iL
- IPNPRO Afficheur et contrôleur de batterie IPN-ProRemote
- CS-500 Shunt de courant 500 A/50 mV
- 930-0022-20 Sonde de température de batterie
- SB3024DiL..... Régulateur de charge Solar Boost 3024iL avec affichage V/A
- IPNPRO-S..... IPN-ProRemote avec shunt de courant 500 A/50 mV requis
- IPNREM..... Afficheur IPN-Remote

FONCTIONNEMENT

La régulation de charge et le fonctionnement du MPPT sont totalement automatiques. La nuit, lorsque la production d'électricité photovoltaïque cesse, le panneau PV est débranché de la batterie pour éviter les fuites de courant indésirables. Il y a un retard de mise en marche de 5 secondes et un retard de coupure de 45 secondes.



➤ Le 3024 est alimenté par la batterie, pas par le courant PV. Pour fonctionner, l'appareil doit être raccordé à une batterie d'une tension de 9 V minimum.

INDICATEUR D'ÉTAT DE CHARGE

Le 3024 comporte un indicateur d'état de charge sur la façade et des afficheurs à distance sont proposés en option. Si le courant de charge de la batterie est supérieur à ≈ 3 à 5 A par 100 AH de capacité d'accumulation, l'indicateur d'état de charge peut fournir une indication approximative de l'état de charge de la batterie.

INDICATEUR D'ÉTAT DE CHARGE

INDICATEUR D'ÉTAT DE CHARGE	MODE DE CHARGE	NIVEAU DE CHARGE APPROXIMATIF
ÉTEINT	PAS DE CHARGE	_____
ALLUMÉ EN CONTINU	CHARGE RAPIDE	< 70 % DE LA PLEINE CHARGE
CLIGNOTANT • ALLUMÉ 1 S / ÉTEINT 1 S	CAPACITÉ	70 - 95 % DE LA PLEINE CHARGE
CLIGNOTANT • ALLUMÉ 0,2 S / ÉTEINT 1 S	ENTRETIEN	COMPLÈTEMENT CHARGÉ
CLIGNOTANT • ALLUMÉ 0,2 S / ÉTEINT 0,2 S	ÉGALISATION	_____

TABLE 1

AFFICHEUR NUMÉRIQUE EN OPTION

Le SB3024DiL comporte un afficheur numérique indiquant la tension de batterie et l'intensité de la sortie de charge. L'afficheur alterne entre la tension et l'intensité durant la charge. L'intensité est affichée lorsque l'indicateur AMPS est allumé et peut correspondre au *total* de tous les régulateurs sur le réseau IPN (défaut usine) ou à l'intensité d'*un seul* régulateur sur le réseau IPN. Une fonction de gradation nocturne automatique réduit la luminosité d'affichage lorsque la charge photovoltaïque est coupée.

AFFICHEURS À DISTANCE EN OPTION

Deux afficheurs à distance sont proposés. L'afficheur IPN-Remote présente les mêmes fonctions d'affichage que le SB3024DiL. L'IPN-ProRemote est un afficheur complet offrant des capacités de configuration et un contrôle plus complet des régulateurs de charge sur le réseau IPN. Il permet également un contrôle complet des batteries, avec divers ampère-heure-mètres et un indicateur de niveau de batterie de type « jauge à essence » hautement précis.

RÉGULATION DE CHARGE MULTI-PHASES

Charge rapide

Le 3024 est en mode de charge Rapide lorsque la tension de batterie est inférieure à la tension de consigne du mode de charge à capacité. Durant la charge rapide, le 3024 fournit autant de courant de charge que possible pour recharger rapidement la batterie. La limitation d'intensité automatique empêche le courant de sortie de dépasser la capacité de courant nominale du 3024.

Charge à capacité

Lorsque la batterie a retrouvé une charge suffisante pour que sa tension passe au-dessus de la tension de consigne du mode Capacité (réglée d'usine à 14,4/28,8 V), l'intensité de courant est réduite comme il se doit pour réguler à la tension de capacité. Le 3024 reste en mode Capacité jusqu'à ce que la batterie soit totalement chargée, ce qui est établi par le fait que :

3. le 3024 est en mode Capacité pendant toute la Durée de charge (réglée d'usine à 2 heures).
- OU -
4. avec l'afficheur IPN-ProRemote, le courant de charge de batterie net en mode Capacité diminue jusqu'à l'intensité de transition d'entretien de consigne (réglée d'usine à 1,5 A par 100 AH de capacité d'accumulation).

Charge d'entretien

Une fois que la batterie est totalement chargée, une tension d'entretien légèrement inférieure (réglée d'usine à 13,2/26,4 V) est appliquée pour maintenir la batterie à son plein état de charge sans perte d'eau excessive.

INDICATEURS DU PANNEAU FRONTAL ET DE L'AFFICHEUR À DISTANCE

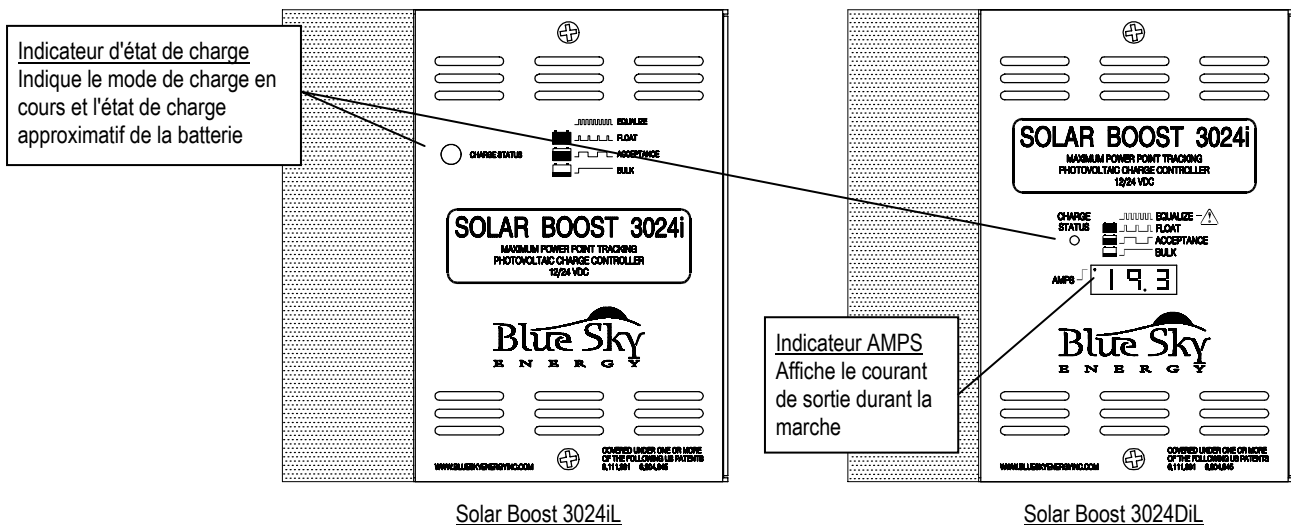


FIGURE 1

ÉGALISATION



➤ **AVERTISSEMENT :** Il n'est pas possible d'égaliser toutes les batteries sans danger. Effectuer l'égalisation exclusivement sur des batteries au plomb à électrolyte liquide ouvertes. Toujours suivre les conseils des fabricants de batteries concernant l'égalisation. L'égalisation applique aux batteries une tension élevée qui produit un important dégagement gazeux. Débrancher tout matériel qui ne supporte pas la haute tension d'égalisation, qui est à compensation thermique.

Une égalisation périodique améliore le fonctionnement et la durée de service des batteries par la mise de chaque élément d'accumulateur à la même densité et l'élimination de la stratification de l'électrolyte. Les paramètres d'égalisation sont réglés d'usine à 15,2/30,4 V pendant 2 heures tous les 30 jours. Une intensité de charge nette minimale d'environ 3 A par 100 AH de capacité d'accumulation est requise pour produire une égalisation correcte. Si l'intensité disponible est insuffisante, il peut être nécessaire d'annuler manuellement l'égalisation car il est possible que le totalisateur de durée d'égalisation n'atteigne pas la fin du décompte.

Le temporisateur d'égalisation est un totalisateur de « durée à la tension » qui compte par incréments de 3 minutes. Le temporisateur d'égalisation n'effectue pas de décompte de temps si la batterie n'est pas à la tension de consigne d'égalisation. Sauf s'il est désactivé manuellement, le 3024 reste en mode d'égalisation aussi longtemps que nécessaire pour totaliser la durée en tension requise. Si l'égalisation n'est pas achevée à la fin de la journée de charge, elle reprend le lendemain au point où elle s'était arrêtée.

Égalisation automatique

Si le commutateur DIP n°5 est en position MARCHE avant l'application du courant de batterie, l'égalisation automatique est activée. Le 3024 effectuera une égalisation automatique à l'issue du nombre de jours fixé (réglé d'usine à 30 jours).

Égalisation manuelle

Si le commutateur DIP n°5 est en position ARRÊT, l'égalisation est totalement désactivée. Pour effectuer une égalisation manuelle, placer le commutateur DIP n°5 en position MARCHE après l'application du courant de batterie. Une fois qu'un cycle d'égalisation manuel est terminé, remettre le commutateur DIP n°5 en position ARRÊT. Si le commutateur DIP n°5 reste sur MARCHE, l'égalisation automatique est activée. L'égalisation peut également être commandée depuis l'afficheur à distance IPN-ProRemote si le commutateur DIP n°5 est sur MARCHE.

LIMITE D'INTENSITÉ

Une limitation automatique de l'intensité empêche le courant de sortie de dépasser 40 A avec des batteries de 12 V et des panneaux PV de 12 V. Si jamais la tension en circuit ouvert (V_{CO}) photovoltaïque devait dépasser 30 V, ce qui serait le cas avec une tension PV supérieure aux 12 V nominaux, la limite d'intensité passe à 30 A jusqu'à ce que le 3024 soit redémarré. Noter que lorsque le 3024 sort de la limite de courant, il passe brièvement en mode Capacité lors du retour au mode MPPT, même si la tension de batterie est basse.

TEMPÉRATURE ET PUISSANCE DE SORTIE

Lorsqu'il est posé verticalement comme cela est décrit dans la section d'installation, le 3024 peut fournir une sortie maximale jusqu'à une température ambiante de 40 °C (104 °F). En cas de dépassement de température, le 3024 s'allume et s'éteint en alternance, ce qui ramène la puissance moyenne fournie dans des limites sûres. Durant une coupure thermique, l'indicateur d'état de charge affiche l'état ARRÊT.

COMPENSATION THERMIQUE EN OPTION

La sonde de température de batterie en option ajuste automatiquement les tensions de consigne sur la base de la température de la batterie, ce qui améliore le fonctionnement et la durée de service des batteries et réduit leur entretien. Le facteur de compensation par défaut de $-5,00 \text{ mV}/^\circ\text{C}/\text{élément}$ convient pour la majorité des accumulateurs au plomb.

TENSION DE CHARGE DE CONSIGNE (DÉFAUT USINE) EN FONCTION DE LA TEMPÉRATURE DE BATTERIE

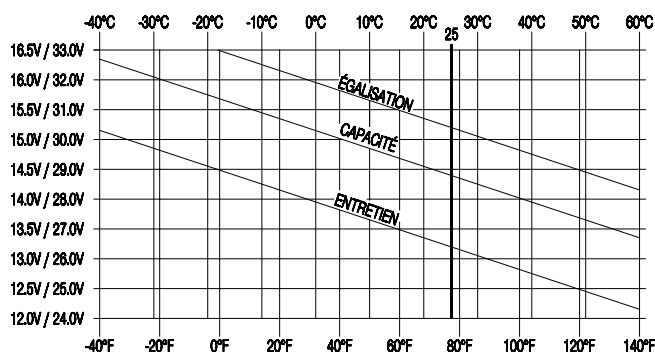


FIGURE 2

LIMITE DE TENSION DE CONSIGNE MAXIMALE

Indépendamment des valeurs de consigne saisies par l'utilisateur ou résultant de la compensation thermique, le 3024 n'applique jamais une tension de charge de consigne supérieure à la limite de tension de consigne maximale configurée d'usine à 15,5/31,0 V. Noter que la tension de batterie effective peut brièvement dépasser cette valeur de 0,1 à 0,2 V, le temps que le régulateur asservi réponde aux variations dans la charge.

MAXIMUM POWER POINT TRACKING (MPPT)

La technologie MPPT brevetée permet d'extraire plus d'électricité et d'augmenter le courant de charge de 30 % ou plus par rapport aux régulateurs traditionnels. Les principales conditions d'exploitation influant sur l'efficacité du courant de charge sont la température des panneaux PV et la tension de la batterie. À intensité solaire constante, la tension et la puissance PV disponibles *augmentent* à mesure que la température des panneaux PV *diminue* mais un régulateur MPPT est nécessaire pour accéder à cette électricité supplémentaire. Lorsque la tension PV est suffisamment élevée en charge rapide pour utiliser le mode MPPT, une sortie de *puissance constante* est fournie à la batterie. Comme la puissance de sortie de constante, une *baisse* de la tension de batterie produit une *augmentation* du courant de charge. Ceci signifie que le 3024 fournit la plus grande augmentation de courant de charge lorsqu'elle est la plus nécessaire, par temps froid pour une batterie déchargée. Par températures fraîchement confortables, la majorité des systèmes connaissent une augmentation de 10 à 20 % environ. L'augmentation du courant de charge peut être nulle aux températures élevées, alors qu'elle peut aisément dépasser 30 % pour une batterie déchargée et par temps de gel. Voir une description plus complète de la technologie MPPT à www.blueskyenergyinc.com.

MULTIPLES RÉGULATEURS DE CHARGE SUR LE RÉSEAU IPN

L'architecture de réseau IPN permet d'exploiter plusieurs régulateurs de charge en tant que machine de charge unique. Jusqu'à 8 régulateurs de charge compatibles IPN peuvent être placés sur un même réseau et partager un afficheur ou une sonde de température de batterie unique. Des régulateurs de charge peuvent être ajoutés pour étendre un système existant et le système résultant peut être exploité, du point de vue de l'utilisateur, comme un régulateur de charge unique.

INSTALLATION



➤ **AVERTISSEMENT** : Veiller à lire, comprendre et respecter les Instructions de sécurité importantes au début de ce manuel avant de poursuivre. Cet appareil doit être installé et câblé en conformité avec le National Electrical Code, ANSI/NFPA 70 (ou autre réglementation en vigueur). Prévoir une protection externe contre les surintensités. Pour réduire le risque d'incendie, raccorder à un circuit équipé d'une protection contre les surintensités de circuit de dérivation de 40 A maximum (50 A avec une batterie de 12 V et des modules PV de 12 V) en conformité avec le National Electrical Code, ANSI/NFPA 70. Ne pas raccorder à un panneau PV capable de produire un courant de court-circuit I_{cc} de plus de 24 A dans les conditions d'essai normalisées (32 A avec une batterie de 12 V et des modules PV de 12 V). Ne pas raccorder BAT- et PV- l'un à l'autre par l'extérieur de l'appareil. L'appareil n'est pas équipé d'un dispositif détecteur/disjoncteur différentiel (GFDI) et doit être utilisé avec un dispositif GFDI externe conformément à l'article 690 du National Electrical Code pour le lieu d'installation. Pour réduire le risque de décharge électrique, couper toutes les sources de courant avant l'installation ou l'entretien. Les Figures 3, 4 et 5 présentent les raccordements généraux uniquement et ne sont pas destinées à indiquer tous les câblages, protections de circuits et exigences de sécurité pour un circuit électrique photovoltaïque.



➤ **ATTENTION** : Le 3024 est protégé contre les inversions de polarité de batterie et de PV et les inversions de branchement de PV et de batterie, mais sera endommagé par un branchement croisé de la batterie sur les bornes de panneau PV. Une protection contre les tensions transitoires causées par la foudre est fournie mais une tension continue stable de plus de 57 V aux bornes de la batterie ou du panneau PV endommagerait l'appareil. Ces deux types de dommages ont pour effet d'annuler la garantie limitée.

MESURES DE PRÉCAUTION CONTRE LES CHARGES ÉLECTROSTATIQUE

Pour minimiser le risque de dommages, veiller à se décharger en touchant un robinet d'eau ou autre terre électrique avant de manipuler le 3024 et éviter de toucher des composants de circuit imprimé. Le risque de dommage électrostatique est plus élevé lorsque l'humidité relative est inférieure à 40 %.

CHOIX DES MODULES PV

La tension, l'intensité de courant et la puissance produites par les modules photovoltaïques (PV) fluctuent grandement avec les conditions d'exploitation. Par conséquent, un ensemble de conditions d'essai appelées *Conditions d'essai normalisées (CEN)* est utilisé pour évaluer les modules d'une façon cohérente et prédire avec exactitude leur fonctionnement dans des conditions réelles. Les caractéristiques CEN ne sont pas des valeurs maximales ni optimales. Il peut exister des conditions dans lesquelles V_{CO} et I_{CC} approchent 1,25 fois les caractéristiques CEN, c'est pourquoi le National Electrical Code et nos propres recommandations prévoient un déclassement de 1,25 fois à la fois de V_{CO} et I_{CC} . Toutefois, dans des conditions réelles, I_{PM} est généralement de seulement 75 à 80 % environ de la valeur d' I_{PM} aux CEN.

Principales caractéristiques des modules PV :

P_{MAX}	Puissance maximale en watts ($P_{MAX} = V_{PM} \times I_{PM}$)
V_{CO}	Tension avec le module en circuit ouvert (typiquement ≈ 20 à 22 V pour les modules 12 V)
V_{PM}	Tension lorsque le module produit la puissance maximale (typiquement ≈ 17 à 18 V pour les modules 12 V)
I_{PM}	Intensité lorsque le module produit la puissance maximale
I_{CC}	Intensité avec le module en court-circuit

Le 3024 offrira les meilleures performances de renforcement de courant MPPT si tous les modules PV sont identiques. Si des types de module différents sont associés, ne pas placer des modules dissemblables en série. Les modules dissemblables en parallèle doivent avoir des valeurs de V_{PM} dans les $\approx 0,5$ V ou moins pour les modules de 12 V et présenter la même technologie de cellule de base afin que leurs V_{PM} évoluent de façon comparable lorsque les conditions d'exploitation varient. Si les types de module sont très différents, envisager d'utiliser régulateur de charge distinct pour chaque type de module afin d'obtenir les meilleures performances MPPT.

Choisir des modules PV qui ne dépassent pas les caractéristiques maximales indiquées ci-dessous et produisent une I_{PM} d'au moins 3 A par 100 AH de capacité d'accumulation.

Tension de batterie nominale	Limite d'intensité automatique	Puissance PV maximale aux CEN	I_{CC} PV maximum aux CEN	V_{CO} PV maximum aux CEN	Plage de V_{PM} conseillée aux CEN		
					PV 12 V nominaux	PV 18 V nominaux	PV 24 V nominaux
12 V	40 A*	540 W	32 A*	24,0 V*	16,5 à 18,5 V	5	5
12 V	30 A	400 W	16 A	45,6 V	5	24,8 à 27,8 V	5
12 V	30 A	400 W	12 A	45,6 V	5	5	33,0 à 37,0 V
24 V	30 A	800 W	24 A	45,6 V	5	5	33,0 à 37,0 V

* La caractéristique d'intensité et la limite d'intensité sont de 40 A lors de la charge d'une batterie de 12 V à partir de modules PV de 12 V nominaux. Si la V_{CO} de PV devait dépasser 30 V (>12 V nominaux des modules PV), la caractéristique et la limite d'intensité deviennent 30 A.

CONFIGURATION DU SOLAR BOOST 3024



➤ Le 3024 présente divers paramètres de configuration qui sont tous fixés initialement à l'usine. Vérifier que les réglages des paramètres de charge du 3024 sont compris dans les limites spécifiées par le fabricant de batterie. Les réglages par défaut conviennent généralement pour la majorité des accumulateurs au plomb à électrolyte ou sans entretien et ne nécessitent normalement aucun changement.

➤ Les paramètres de configuration sont classés en deux catégories, Élémentaire et Avancé. Les paramètres élémentaires peut être configurés depuis le 3024 seul suivant des incréments et des plages limités comme indiqué à la Figure 3. L'accès aux paramètres avancés nécessite l'IPN-ProRemote. L'IPN-ProRemote permet également de configurer les paramètres élémentaires par incréments plus petits et sur des plages plus importantes. Tous les paramètres de configuration sont conservés en cas de coupure d'alimentation ou si l'IPN-ProRemote est utilisé exclusivement en tant qu'outil de réglage puis enlevé.

Réglages par défaut au départ de l'usine

Réglages élémentaires

- Mode de charge 3 phases
- Tension de capacité 14,4/28,8 V
- Tension d'entretien 13,2/26,4 V
- Durée de charge 2,0 heures
- Égalisation..... Désactivé
- Adresse de réseau IPN 0 (zéro)
- Mode de sortie auxiliaire..... Chargeur bat. aux.
- Tous commutateurs DIP..... ARRÊT
- Affichage intensité (SB3024Di) Total réseau IPN

Réglages avancés

- Tension d'égalisation 15,2/30,4 V
- Durée d'égalisation 2,0 heures
- Intervalle d'égalisation auto 30 jours
- Limite de tension de consigne maximale 15,5/31,0 V
- Intensité de transition d'entretien 1,5 A/100 AH
- Facteur de compensation thermique -5,00 mV/°C/élément
- Tension MARCHE régulation puissance 12,6/25,2 V
- Tension ARRÊT régulation puissance 11,5/23,0 V
- Commande d'éclairage nocturne Désactivée

Rétablissement des réglages par défaut de l'usine

1. Couper l'alimentation PV et de batterie.
2. Mettre **TOUS** les 8 commutateurs DIP de la carte d'alimentation montrés à la Figure 3 en **MARCHE**.
3. Rétablir l'alimentation par la batterie pendant 10 secondes, puis la couper.
4. Remettre **TOUS** les 8 commutateurs DIP de la carte d'alimentation dans leur position **ARRÊT** par défaut.
5. Si un afficheur est utilisé, régler les DIP n°4 sur **MARCHE**, n°1 à 3 sur **ARRÊT**.
6. L'appareil est à présent réglé sur ses paramètres d'usine par défaut.

Tension de batterie et PV



➤ Les tensions nominales de la batterie et PV sont déterminées automatiquement. La batterie est supposée être de 12 V si sa tension lors de son branchement initial est inférieure à 16 V, ou de 24 V si elle est supérieure. La tension PV est également déterminée automatiquement. Si la tension PV nominale est changée après l'installation, l'alimentation doit être coupée brièvement pour redémarrer le 3024.

Tension de charge, tension d'entretien et durée de charge

Les valeurs de consigne de la tension de charge de capacité, la tension de charge d'entretien et la durée de charge peuvent être visualisées ou modifiées au moyen des voyants et commutateurs DIP de configuration montrés à la Figure 3. Actionner un seul commutateur à la fois. Pour visualiser le réglage en cours, placer brièvement le commutateur DIP correspondant en MARCHE (V_{CHG} n°8, V_{ENTR} n°6 ou T_{CHG} n°7). Pour une batterie de 24 V, les tensions de consigne sont doublées.

Pour modifier un réglage, placer le commutateur DIP correspondant sur MARCHE, ARRÊT puis à nouveau sur MARCHE avant que les voyants s'éteignent. Le 3024 passe en mode de configuration et fait défiler les réglages possibles. Placer le commutateur DIP en position d'arrêt sur le réglage souhaité pour enregistrer la nouvelle valeur. Si la tension de charge d'entretien est réglée sur « No Float » (pas d'entretien), le 3024 fonctionne comme un chargeur à deux phases, ne passe pas en mode Entretien et n'affiche pas de durée de charge (CHG TIME) sur les voyants de configuration.

SCHÉMA DE CONFIGURATION ET DE CÂBLAGE

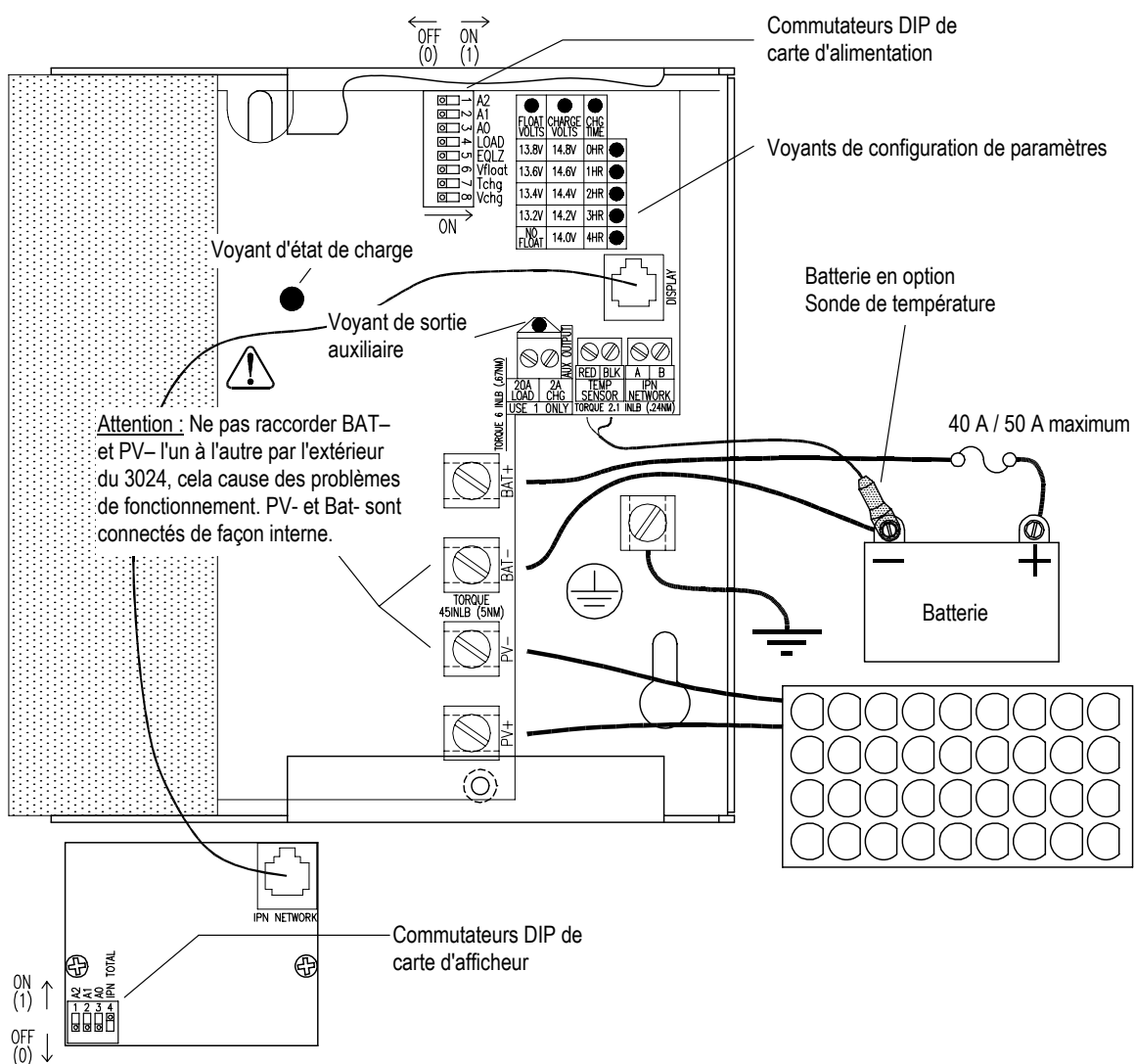


FIGURE 3

Affichage de l'intensité de sortie (SB3024DiL seulement)



➤ L'afficheur peut indiquer l'intensité de sortie totale de tous les régulateurs en réseau ou l'intensité de sortie d'un régulateur unique. Pour afficher l'intensité de sortie d'un régulateur unique, l'adresse réseau IPN de l'afficheur et celle du régulateur de charge doivent se correspondre.

COMMUTATEURS DIP DE CARTE D'AFFICHEUR	ADRESSE IPN – INTENSITÉ DE SORTIE DE CHARGEUR UNIQUE								INTENSITÉ DE SORTIE TOTALE DE TOUS LES CHARGEURS SUR RÉSEAU IPN
	0	1	2	3	4	5	6	7	
N°1 (A2)	0	0	0	0	1	1	1	1	Indifférent
N°2 (A1)	0	0	1	1	0	0	1	1	Indifférent
N°3 (A0)	0	1	0	1	0	1	0	1	Indifférent
N°4 (total IPN)	0	0	0	0	0	0	0	0	1

CÂBLAGE DE BATTERIE ET PV



➤ **ATTENTION :** Les bornes à compression de batterie et de panneau PV acceptent du fil n°14–4 AWG et sont serrées à 5 Nm (45 po.lb). Les bornes à compression de réseau IPN acceptent du fil n°24–14 AWG et sont serrées à 0,24 Nm (2,1 po.lb). Les bornes à compression de sortie auxiliaire acceptent du fil n°24–12 AWG et sont serrées à 0,67 Nm (6 po.lb).

➤ **ATTENTION :** NE PAS raccorder BAT– et PV– l'un à l'autre par l'extérieur du 3024, cela cause des problèmes de fonctionnement. BAT– et PV– sont connectés de façon interne.

Une installation idéale doit présenter une chute de tension des câblages du circuit totale de 3 % ou moins. Les longueurs indiquées dans la Table 2 correspondent à un trajet simple du panneau PV à la batterie, avec le 3024 placé entre les deux. La longueur de fil peut être augmentée de façon inversement proportionnelle à l'intensité de courant. Si l'intensité est réduite de moitié, les longueurs de fil peuvent être doublées et toujours produire une chute de tension de 3 %.

LONGUEUR MAXIMALE DES PAIRES DE CONDUCTEURS – CHUTE DE TENSION DE 3 %

CALIBRE DE FIL AWG	SYSTÈME 12 V À 3 2A PIEDS / MÈTRES	SYSTÈME 2 4V À 24 A PIEDS / MÈTRES
12 AWG	4,0 / 1,2	10,7 / 3,3
10 AWG	6,4 / 2,0	16,9 / 5,2
8 AWG	10,1 / 3,1	26,9 / 8,2
6 AWG	16,1 / 4,9	42,8 / 13,0
4 AWG	25,5 / 7,8	68,1 / 20,7
2 AWG	40,6 / 12,4	108,2 / 33,0
1/0 AWG	64,6 / 19,7	172,2 / 52,5

TABLE 2

COMPATIBILITÉ ÉLECTROMAGNÉTIQUE

Pour satisfaire les exigences de compatibilité électromagnétique, le câblage de batterie et de panneau PV du 3024 doit être tiré dans un conduit métallique relié à la terre et les deux bagues de ferrite antiparasite à serrage fournies doivent être utilisées. Poser une ferrite autour des câbles BAT+ et BAT– réunis. Poser la seconde ferrite autour des câbles de sonde de température de batterie et d'afficheur à distance réunis, en mettant les câbles en boucle pour qu'ils traversent le noyau 3 fois. Si les câbles de sonde et d'afficheur sont tous deux utilisés, dénuder la gaine extérieure du câble de sonde sur ≈30 cm (12 po) afin que les deux câbles puissent passer 3 fois à travers le noyau. Veiller à bien attacher les deux ferrites pour éviter d'endommager les composants de circuit imprimé. Des ferrites supplémentaires peuvent être commandées auprès de BSE sous la réf. 523-0005-01.

SONDE DE TEMPÉRATURE DE BATTERIE

La pose de la sonde de température de batterie en option permet la compensation thermique de toutes les valeurs de consigne tension de charge. Dans un système à plusieurs régulateurs, une seule sonde de température doit être raccordée à l'unité principale du réseau. Ne pas raccorder de capteur ou accessoire autre que la sonde de température de batterie Blue Sky Energy réf. 930-0022-20. Veiller à bien respecter la polarité RED/BLK (rouge/noire).

SORTIE AUXILIAIRE

La sortie auxiliaire peut remplir trois fonctions : chargeur de batterie auxiliaire de 2 A, régulateur de puissance de 20 A avec coupure tension faible (CTF) ou régulateur de puissance d'éclairage nocturne variable de 20 A. La fonction Charge/Puissance (LOAD) se sélectionne avec le commutateur DIP n°4 représenté sur la Figure 3. L'afficheur IPN-ProRemote est nécessaire pour ajuster les seuils de CTF ou pour activer la commande d'éclairage nocturne. Les sorties auxiliaires d'un système à plusieurs régulateurs fonctionnent normalement, mais seule la sortie auxiliaire de l'unité principale peut être configurée ou contrôlée à l'aide de l'IPN-ProRemote. Le voyant de sortie auxiliaire est allumé chaque fois que la sortie auxiliaire est ACTIVÉE.



➤ **ATTENTION :** La sortie auxiliaire ne peut pas remplir simultanément des fonctions de charge d'accumulateur auxiliaire et de régulation de puissance. Ne pas utiliser la borne 20 A LOAD pour la charge de batterie auxiliaire.

CHARGE DE BATTERIE AUXILIAIRE – DIP N°4 SUR ARRÊT (0)

La fonction de charge auxiliaire s'utilise pour charger une batterie auxiliaire de même tension que la batterie principale. Si la batterie principale est chargée en mode Capacité ou Entretien, le régulateur détourne jusqu'à 2 A vers la batterie auxiliaire sous environ la même tension de charge. La charge de batterie auxiliaire est désactivée durant la charge rapide ou l'égalisation. Utiliser un fil de 14 AWG pour minimiser la chute de tension et une protection contre les surintensités de 25A. Le moins de la batterie auxiliaire doit être raccordée au moins de la batterie principale.

CÂBLAGE DE LA SORTIE AUXILIAIRE

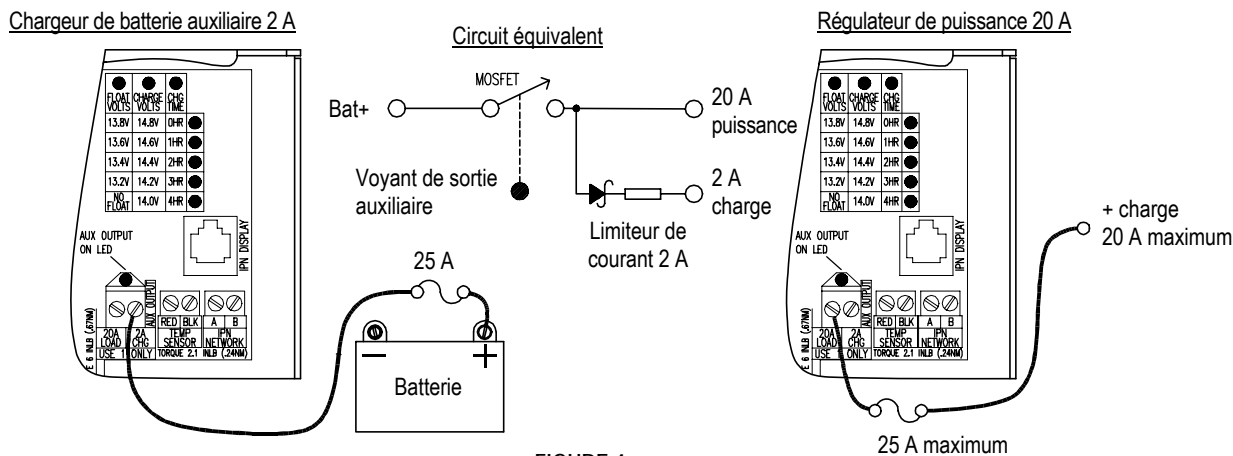


FIGURE 4

RÉGULATEUR DE PUISSANCE – DIP N°4 SUR MARCHE (1)

Le régulateur de puissance peut fournir jusqu'à 20 A de sortie continue depuis la batterie. La configuration par défaut concernent la CTF, à savoir MARCHE si $V_{BAT} \geq 12,6/25,2$ V et ARRÊT si $V_{BAT} \leq 11,5/23,0$ V, ce qui peut être modifié depuis l'IPN-ProRemote. Le fonctionnement peut également être basé sur la charge de batterie nette (en AH) si un IPN-ProRemote est utilisé. La condition de MARCHE/ARRÊT doit être présente pendant 20 secondes avant que la commutation se produise. Si les valeurs haute/basse sont inversées, la logique de régulation de sortie est inversée. Le moins de la charge doit être raccordé au moins de la batterie.



➤ **ATTENTION :** Prévoir une protection externe contre les surintensités de 25 A maximum sur la sortie de régulation de puissance. Si la sortie de régulation de puissance est configurée pour fonctionner sur la base de la charge de batterie nette, configurer également les seuils de tension de MARCHE/ARRÊT. Si la charge en AH depuis les données complètes n'est pas disponible, le système revient à une régulation basée sur la tension. Pour éviter les problèmes de fonctionnement, les seuils de tension ou de charge de MARCHE/ARRÊT doivent avoir des valeurs différentes.

COMMANDE D'ÉCLAIRAGE NOCTURNE – DIP N°4 SUR MARCHE (1)

Un IPN-ProRemote de version logicielle V2.00 ou ultérieure est nécessaire pour permettre la régulation d'éclairage. Voir les instructions de configuration de la régulation d'éclairage dans le mode d'emploi de l'IPN-ProRemote. Des réglages de durée variable sont proposés pour mettre l'éclairage en MARCHE après la tombée de la nuit (temporisation Post-Dusk) et/ou à l'ARRÊT avant le lever du jour (temporisation Pre-Dawn). Si les deux temporisations sont réglées sur DÉSACTIVÉ (défaut usine), la fonction de régulation d'éclairage est désactivée. Si l'une ou l'autre de ces temporisations est réglée sur une valeur de durée, la fonction de régulation d'éclairage est activée. Lorsque la régulation d'éclairage est activée, la sortie auxiliaire est commandée à la fois par la fonction de régulation de puissance normale et par la fonction de régulation d'éclairage de telle manière que la sortie auxiliaire est à l'ARRÊT si l'une ou l'autre fonction le commande.

Le crépuscule ou la nuit débute lorsque le système de régulation de charge se met à l'ARRÊT, ce qui se produit lorsque l'intensité de courant du module PV passe en dessous de ≈ 50 mA sous la tension de la batterie. L'aube ou le jour débute lorsque le système de régulation de charge se met en MARCHE, ce qui se produit lorsque l'intensité de courant du module PV passe au-dessus de ≈ 100 mA sous la tension de la batterie. Si la temporisation de crépuscule (Post-Dusk) est réglée sur 1,0 heure et la temporisation d'aube (Pre-Dawn) sur 2,0 heures, l'éclairage se met en MARCHE au crépuscule, reste en MARCHE pendant une heure, puis se met l'ARRÊT. Deux heures avant l'aube, l'éclairage se met en MARCHE deux heures avant l'aube et reste en MARCHE jusqu'à l'aube. Pour que l'éclairage soit en marche toute la nuit, régler la temporisation de crépuscule (Post-Dusk) sur 20 heures. L'éclairage est toujours éteint lorsque le système de régulation de charge est en MARCHE.

Lors de la mise sous tension initiale du 3024, il ne sait pas à quelle heure se produit l'aube. Par conséquent, la commande d'aube (Pre-Dawn) n'est pas opérationnelle la première nuit. Une fois qu'une période nocturne de 4 heures ou plus est détectée, cette période nocturne est mise en mémoire et la commande d'aube devient opérationnelle. Chaque période nocturne suivante supérieure à 4 heures est ajoutée à une moyenne filtrée de durée nocturne.

INSTALLATION D'UN SYSTÈME MULTI-RÉGULATEUR

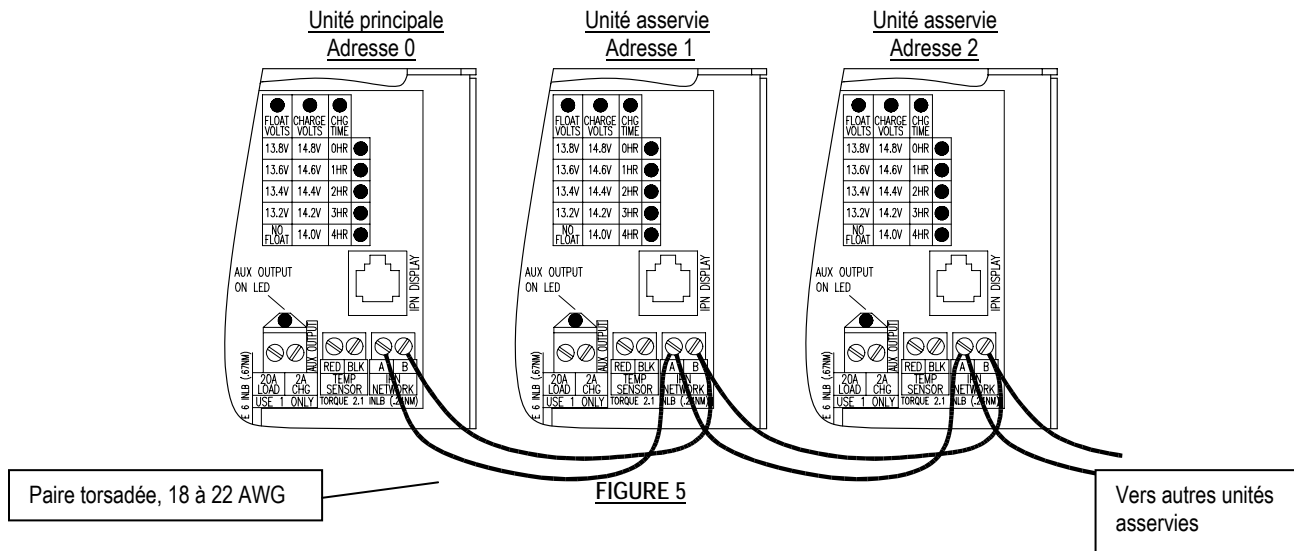
Une liaison de communication est établie entre les régulateurs par raccordement en guirlande au moyen d'un câble à paire torsadée branché sur les bornes IPN Network, de régulateur à régulateur (A sur A, B sur B) comme sur la Figure 5. Il est possible de raccorder jusqu'à 8 régulateurs de charge compatibles IPN entre eux au sein d'un système multi-régulateur. L'appareil d'adresse 0 (zéro) est l'unité principale et les appareils 1 à 7 sont les unités asservies. L'unité principale contrôle le processus de charge et dirige les activités des unités asservies. Le système de régulation de charge démarre chaque fois qu'un ou plusieurs régulateurs reçoit un courant d'entrée PV.

CÂBLAGE ET CONFIGURATION DU SYSTÈME MULTI-RÉGULATEUR



- **ATTENTION :** Le système multi-régulateur nécessite l'installation et la configuration spéciales suivantes :
- 1) Chaque régulateur doit être raccordé et charge la même batterie.
 - 2) Un régulateur doit être réglé sur l'adresse IPN 0 (zéro) et les autres sur les adresses 1 à 7, chaque régulateur sur une adresse différente.
 - 3) Les paramètres de charge sont réglés sur l'unité principale uniquement.
 - 4) Alors que les sorties se raccordent en parallèle à une batterie commune, les entrées PV doivent être totalement séparées. Un grand panneau PV doit être divisé en sous-panneaux, chacun avec son propre câblage PV+ et PV-.
 - 5) Tous les régulateurs doivent être raccordés au réseau IPN comme indiqué sur la Figure 5.

CÂBLAGE DU RÉSEAU IPN



Adressage du réseau IPN



- Un régulateur unique doit être réglé sur l'adresse réseau IPN 0 (zéro). Dans un système multi-régulateur, un régulateur doit être réglé sur l'adresse 0 (zéro) pour servir d'unité principale. Les autres régulateurs doivent être réglés sur les adresses 1 à 7, sans que deux régulateurs aient la même.

ADRESSAGE DU RÉSEAU IPN								
COMMUTATEUR DIP CARTE ALIM.	PRINCIPAL	ASSERVIS						
	0	1	2	3	4	5	6	7
N°1 (A2)	0	0	0	0	1	1	1	1
N°2 (A1)	0	0	1	1	0	0	1	1
N°3 (A0)	0	1	0	1	0	1	0	1

POSE



➤ **ATTENTION :** Poser l'appareil avec les ailettes de dissipation thermique orientées verticalement pour faciliter le refroidissement et ne pas le placer dans un espace fermé. Le 3024 n'est pas étanche à l'eau et doit être protégé de la pluie, la neige et les excès d'humidité.

PLAN COTÉ DÉTAILLÉ

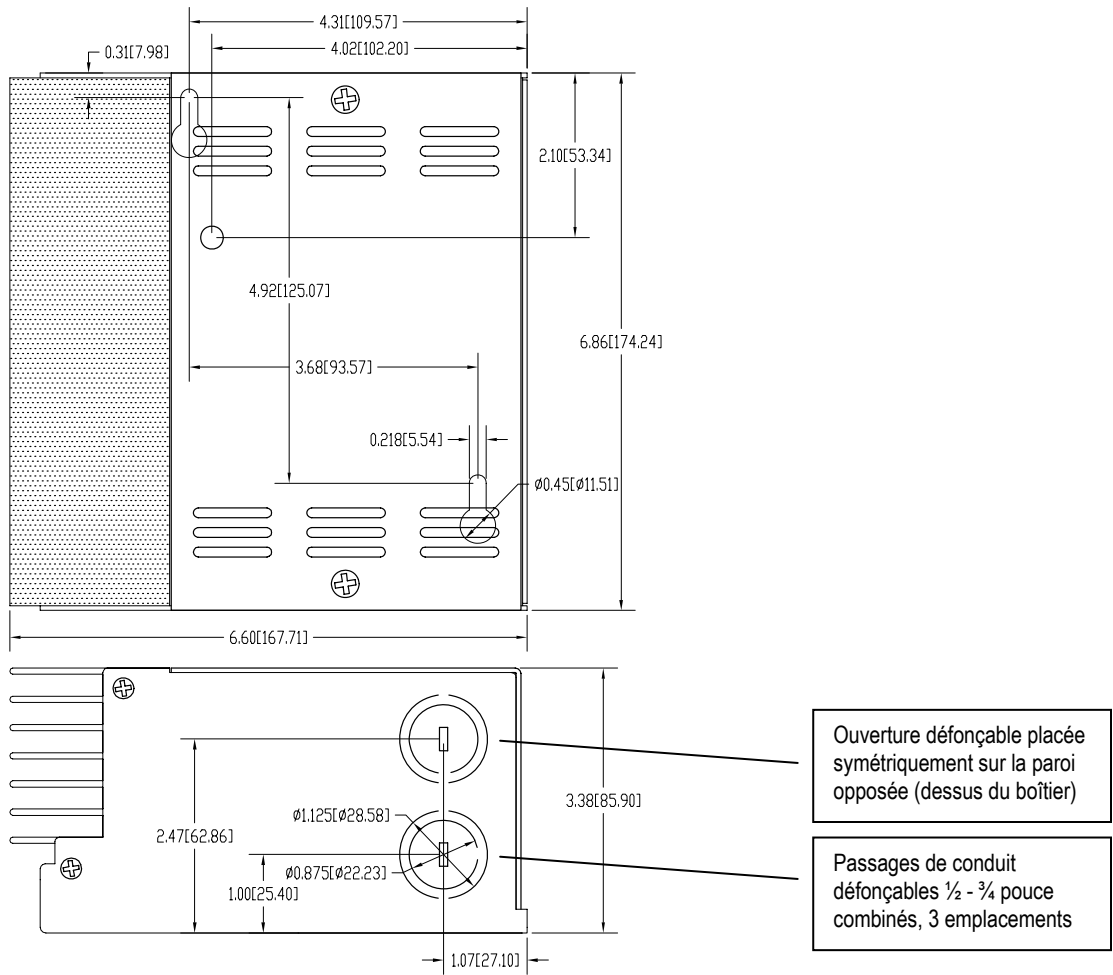


FIGURE 6

GUIDE DE DÉPANNAGE

SYMPTÔME	CAUSE PROBABLE	POINTS À EXAMINER OU À CORRIGER
Totalement éteint, pas d'affichage	Pas d'alimentation de batterie	Batterie débranchée, fortement déchargée (< 9 V) ou branchée en polarité inverse. L'appareil est alimenté par batterie, pas par PV.
L'appareil ne s'allume pas (voyant d'état de charge éteint), le cas échéant, l'affichage peut être normal	Panneau PV débranché Panneau PV en polarité inverse Adresse de réseau IPN mal configurée Alimentation de batterie faible D'extrêmes fluctuations de tension ou parasites ont causé un blocage de microprocesseur	Le PV doit fournir au moins 0,15 A à une tension tout juste supérieure à celle de la batterie pour démarrer la charge. L'inversion de polarité PV fait chauffer le dissipateur thermique. Un appareil unique doit être réglé sur l'adresse réseau IPN 0 (zéro). L'un des appareils d'un réseau multi-appareils doit être réglé sur l'adresse réseau IPN 0 (zéro) ET les autres appareils sur des adresses différentes. Batterie fortement déchargée (<9 V). Appareil alimenté par batterie, pas par PV. Couper brièvement toute alimentation pour redémarrer le microprocesseur. Rebrancher proprement l'alimentation.
L'appareil s'allume et s'éteint en alternance	PV- raccordé à BAT- par l'extérieur de l'appareil	PV- et BAT- doivent être séparés à l'extérieur de l'appareil et ne peuvent pas être raccordés à un point commun. Le raccordement extérieur perturbe le bon fonctionnement des shunts internes et du système de mesure d'intensité.
Voyant d'état de charge allumé, mais pas de courant de sortie de charge	Tension de batterie supérieure à la tension de charge de consigne Tension de batterie trop basse L'appareil a identifié la batterie comme étant de 12 V alors qu'elle est de 24 V	Ceci est normal. La sortie est coupée en raison d'une tension de batterie élevée, pouvant être causée par d'autres systèmes de charge. La tension de batterie doit être d'au moins 9 V pour que l'appareil fonctionne. La tension de batterie est déterminée automatiquement lors de la mise sous tension initiale de l'appareil. La tension doit être supérieure à 16 V pour identifier une batterie de 24 V. Couper toute alimentation et rebrancher la batterie rapidement et proprement.
Clignotement rapide du voyant d'état de charge	Système en mode d'égalisation	Désactiver l'égalisation depuis l'IPN-ProRemote ou en plaçant le commutateur DIP n°5 sur Arrêt (0).
L'intensité de charge est plus basse que prévue, l'intensité PV peut être basse aussi	Batterie fortement chargée Modules PV usés Faible ensoleillement PV- raccordé à BAT- La tension PV nominale est passée de 18 V ou 24 V à 12 V La limite d'intensité est passée à 30 A	Fonctionnement normal, l'intensité est réduite si la tension de batterie est à la valeur de consigne. Changer ou utiliser en l'état. Diffusion atmosphérique, panneaux PV sales, soleil bas sur l'horizon, etc. PV- et BAT- doivent être séparés à l'extérieur de l'appareil et ne peuvent pas être raccordés à un point commun. Le raccordement extérieur perturbe le bon fonctionnement des shunts internes et du système de mesure d'intensité. Si la tension PV est passée à 12 V, l'alimentation doit être coupée brièvement pour redémarrer l'appareil et charger les valeurs de commandes de PV initiales. Fonctionnement normal. La limite d'intensité passe à 30 A si la V_{CO} de PV a dépassé 30 V, ce qui est possible avec des PV de tension nominale supérieure à 12 V. Reconfigurer les PV pour obtenir 12 V et redémarrer le 3024 pour rétablir la limite d'intensité de 40 A.
Renforcement de courant MPPT moins important que prévu	La tension de puissance maximale du PV (V_{PM}) n'est pas beaucoup plus élevée que la tension de batterie, laissant peu de puissance additionnelle à extraire Panneaux PV chauds La tension PV nominale est passée de 18 V ou 24 V à 12 V	Panneaux PV de faible V_{PM} . Les panneaux de V_{PM} supérieure ont un meilleur potentiel de puissance et de renforcement de courant. Les PV de $V_{PM} \geq 17$ V sont idéaux. Chute de tension excessive dans le câblage PV causée par des fils trop fins, de mauvais contacts, etc. La batterie est presque chargée et la tension de batterie est élevée. La sortie en mode MPPT est à « puissance constante », une tension de batterie plus élevée réduit l'augmentation d'intensité de charge. V_{PM} et le courant disponible diminuent lorsque la température des cellules PV augmente. Les PV plus frais produisent un meilleur renforcement de charge. Il est normal que le renforcement diminue lorsque la température augmente. Si la tension PV est passée à 12 V, l'alimentation doit être coupée brièvement pour redémarrer l'appareil et charger les valeurs de commandes de PV initiales.

SYMPTÔME	CAUSE PROBABLE	POINTS À EXAMINER OU À CORRIGER
La batterie auxiliaire ne se charge pas	Sortie auxiliaire pas configurée pour la charge de batterie auxiliaire Batterie principale pas suffisamment chargée Charge sur la batterie auxiliaire trop élevée	Vérifier que le commutateur DIP n°4 est sur ARRÊT (0). La batterie auxiliaire reçoit un courant de charge uniquement si la batterie principale est fortement chargée en mode Capacité ou Entretien. L'intensité de charge auxiliaire maximale est d'environ 2 A. Réduire éventuellement la charge sur la batterie.
Le système semble OK, mais ne commute pas correctement entre les modes de charge Rapide, Capacité et Entretien	Pas configuré pour la charge en 3 phases Le système ne passe pas du mode Rapide au mode Capacité ou Entretien Le système ne passe pas du mode Capacité au mode Rapide ou Entretien Le système ne passe pas du mode Capacité au mode Entretien Le système indique Capacité occasionnellement mais la tension de batterie est basse et l'intensité est très haute, proche du maxi. nominal.	Contrôler la tension de consigne du mode Entretien. La batterie est très déchargée ou très grosse par rapport au courant de charge net disponible. Puissance PV trop basse ou charges trop élevées. Fonctionnement normal. L'appareil reste en mode Entretien sans commuter vers Rapide ou Capacité tant qu'il est capable de maintenir la batterie à la tension de consigne d'entretien. Batterie pas totalement chargée. L'appareil reste en mode Entretien jusqu'à ce que la tension de batterie reste à la valeur de consigne du mode Capacité en continu pendant la Durée de charge (ou que le courant de batterie net baisse jusqu'à l'Intensité de transition d'entretien de consigne si l'IPN-ProRemote est utilisé). Fonctionnement normal. Si l'appareil passe la limite d'intensité, il passe par le mode Capacité pendant 10 secondes environ lorsqu'il quitte cette limite et revient au mode Rapide/MPPT.
La régulation de puissance ne fonctionne pas correctement	Sortie auxiliaire pas configurée pour la régulation de puissance La sortie peut s'être coupée si la batterie est peu chargée Seuils de MARCHE/ARRÊT mal réglés Fonction d'éclairage nocturne activée	Vérifier que le commutateur DIP n°4 est sur MARCHE (1). La sortie auxiliaire se coupe si la tension de batterie chute en-dessous du seuil d'ARRÊT (11,5/23,0 V par défaut). Une fois coupée, la sortie se rétablit lorsque la tension de batterie est au-dessus du seuil de MARCHE (12,6/25,2 V par défaut). Corriger les réglages. Commande nocturne désactivée.
Éclairage nocturne, ne se met pas en MARCHE ou reste en MARCHE	Sortie auxiliaire pas configurée pour la régulation de puissance La sortie peut s'être coupée si la batterie est peu chargée Système de régulation de charge en MARCHE Temporisations mal réglées Première période nocturne valable par encore détectée	Vérifier que le commutateur DIP n°4 est sur MARCHE (1) et la fonction nocturne activée. La sortie auxiliaire se coupe si la tension de batterie chute en-dessous du seuil d'ARRÊT (11,5/23,0 V par défaut). Une fois coupée, la sortie se rétablit lorsque la tension de batterie est au-dessus du seuil de MARCHE (12,6/25,2 V par défaut). L'éclairage ne s'allume pas si le système de régulation de charge est en MARCHE et en cours de charge. Contrôler les réglages de temporisation de crépuscule et d'aube L'éclairage avant l'aube ne fonctionne pas tant qu'une période nocturne valable de plus de 2 heures n'est pas détectée pour définir la durée nocturne.
Éclairage nocturne, ne se met pas à l'ARRÊT ou reste à l'ARRÊT	Sortie auxiliaire pas configurée pour la régulation de puissance Fonction d'éclairage nocturne pas activée Temporisations mal réglées La régulation de charge ne se met pas en MARCHE	Vérifier que le commutateur DIP n°4 est sur MARCHE (1) et la fonction nocturne activée. Temporisations de crépuscule et d'aube toutes deux désactivées. L'une ou les deux temporisations doivent être fixées pour activer la fonction nocturne. Corriger les réglages de temporisation de crépuscule et d'aube. Contrôler le fonctionnement de la régulation de charge
Les appareils en réseau ne semblent pas fonctionner ensemble ou les unités asservies ne s'activent pas	Adresse de réseau IPN mal configurée Problème de câblage de réseau	Un appareil unique doit être réglé sur l'adresse réseau IPN 0 (zéro). L'un des appareils d'un réseau multi-appareils doit être réglé sur l'adresse réseau IPN 0 (zéro) ET les autres appareils sur des adresses différentes. Vérifier le câblage. Utiliser l'IPN-ProRemote pour voir l'état des appareils de charge et vérifier les communications.

SYMPTÔME	CAUSE PROBABLE	POINTS À EXAMINER OU À CORRIGER
Les fonctions liées à la température ne fonctionnent pas.	Sonde de température manquante, défectueuse ou installée en polarité inverse Sonde de température pas installée sur l'unité principale	Si la sonde est ouverte, en court-circuit, en polarité inverse ou manquante, l'appareil fonctionne comme si la sonde indiquait 25°C. La tension produite par la sonde doit être de 2,98 V à 25 °C et varier de +10 mV/°C. La sonde de température doit être installée sur l'unité principale dans un système multi-régulateur.
L'afficheur s'allume, mais la tension de batterie affichée est « --- » au lieu d'un nombre	L'afficheur ne communique pas avec le régulateur de charge	Câble défectueux Un seul régulateur de charge doit être l'unité principale. Mauvais ou pas de contact Bat – perturbant les communications
Lorsque le chargeur s'active, l'intensité de sortie affichée est « --- » au lieu d'un nombre	Affichage du courant de sortie configuré sur une adresse non présente sur le réseau IPN	Configurer l'afficheur sur l'adresse IPN d'un chargeur présent sur le réseau IPN.
Charge à l'ARRÊT aux fortes températures ambiantes	Le système se coupe provisoirement parce que le dissipateur thermique est très chaud	Améliorer la ventilation ou réduire la puissance PV. Une bonne ventilation pour éviter les coupures de surchauffe permet d'améliorer la fiabilité. Voir le Bulletin technique n°100206.
Lorsque le chargeur se met en marche, l'intensité de sortie affichée semble incorrecte	Affichage du courant de sortie configuré sur la mauvaise adresse de réseau IPN Bat- raccordé à PV- à l'extérieur du régulateur de charge	Configurer les commutateurs DIP d'adressage IPN de l'afficheur pour mesurer l'intensité de sortie souhaitée. PV- et BAT- doivent être séparés à l'extérieur de l'appareil et ne peuvent pas être raccordés à un point commun. Le raccordement extérieur perturbe le bon fonctionnement des shunts internes et du système de mesure d'intensité.
Les valeurs de tension et d'intensité affichées semblent bloquées et n'évoluent pas	L'afficheur ou le régulateur de charge a changé d'adresse réseau IPN L'afficheur ne communique pas avec le régulateur de charge	Configurer les commutateurs DIP d'adressage IPN de l'afficheur pour mesurer correctement l'intensité de sortie d'un régulateur présent sur le réseau IPN Câble de l'afficheur intermittent.

CARACTÉRISTIQUES TECHNIQUES

CARACTÉRISTIQUES	Solar Boost 3024iL & 3024DiL
Intensité de sortie nominale	30 A / 40 A ³⁾
Tension de batterie nominale	12 / 24 V
Tension d'entrée PV	57 VDC maximum
Puissance consommée	Typiquement 0,35 W en veille • 1,0 W en charge
Algorithme de charge	3 phases de charge Rapide/Capacité/Entretien • plus Égalisation
Tension Capacité	14,4 V ^N (plage 14,0 à 14,8 V ^N , 10,0 à 40,0 V ³)
Tension Entretien	13,2 V ^N (plage 13,2 à 13,8 V ^N , 10,0 à 40,0 V ³)
Tension Égalisation	15,2 VDC ^N (plage 10,0 à 40,0 VDC ³) • automatique ou manuel
Limite tension de consigne	15,5 VDC ^N (plage 10,0 à 40,0 VDC ³)
Sortie auxiliaire	Sortie unique configurable en tant que : Régulateur de puissance 20 A –ou– Chargeur de batterie auxiliaire 2 A
• Charge batterie auxiliaire	Typ. 2 A, même tension de charge que la batterie principale
• Régulation de puissance	20 A maxi., MARCHE ≥12,6 V ^N / ARRÊT ≤11,5 V ^N (Plage 10,0 à 40,0 V ³ ou AH de batterie net ³)
• Éclairage nocturne ³	Temporisations crépuscule et aube variables ³ , Plage 0,5 à 20,0 heures
Compensation thermique	Sonde en option ajustant la tension de charge en fonction de la température de batterie Facteur de correction de -5,00 mV/°C/cellule (plage 0,00 à -8,00 mV/°C/cellule ³) • plage sonde -60 à +80 °C
Rendement de transformation	Typ. 97 % pour sortie 28 V / 24 A
Dimensions du boîtier	(h x l x p) 17,4 cm x 16,8 cm x 8,59 cm (6 ⁷ / ₈ " x 6 ⁵ / ₈ " x 3 ³ / ₈ "
Plage/précision tension/intensité	Voltmètres de batterie 40,0 V ± 0,50 % pl. éch. • Voltmètre PV 60,0 V ± 0,50 % pl. éch. Ampèremètres 41,0 A ± 0,50 % pl. éch.
Communication	Interface réseau IPN exclusive de Blue Sky Energy
Conditions ambiantes	-40 à +40 °C, 10 à 90 % d'HR sans condensation

En raison de notre processus d'amélioration continue, les caractéristiques sont sujettes à modification sans préavis

^N SB3024i seul, tensions doubles pour batterie 24 V

³ Avec IPN-ProRemote

³⁾ 40 A avec batterie 12 V et modules PV 12 V

GARANTIE LIMITÉE DE CINQ ANS

Blue Sky Energy, Inc. (ci-après BSE) garantit par les présentes à l'acheteur consommateur initial que le produit ou toute partie de celui-ci sera exempt de tout défaut résultant d'une fabrication ou de matériaux défectueux pendant une durée de cinq (5) ans, sous réserve des conditions énoncées ci-dessous.

1. La présente garantie limitée est accordée à l'acheteur consommateur initial du produit, à l'exclusion de toute autre personne.
2. La période de garantie limitée court à compter de la date à laquelle le produit est vendu à l'acheteur consommateur initial. Une copie du justificatif d'achat original identifiant l'acheteur et la date d'achat doit être jointe au produit pour bénéficier de réparations sous garantie.
3. La présente garantie limitée ne s'applique à aucun produit ou partie de produit endommagé du fait : a) d'une modification, d'un démontage ou de l'application d'une substance étrangère, b) d'une réparation ou d'un entretien non effectué par un centre de réparation agréé par BSE, c) d'un accident ou d'une mauvaise utilisation, d) de la corrosion, e) de la foudre ou autre catastrophe naturelle, f) d'une utilisation ou d'une installation contraire aux instructions relatives au produit concerné, ou g) d'un vieillissement de son aspect, et toute garantie future sera annulée au titre d'un tel produit ou d'une telle partie de produit.
4. Si, après avoir examiné le produit, BSE estime que celui-ci n'est pas défectueux, des frais de vérification et d'évaluation de \$ 40 seront facturés au consommateur qui devra supporter l'ensemble des frais de transport et d'assurance liés au renvoi du produit au consommateur. La responsabilité de la bonne installation et de la bonne utilisation du produit incombe en dernier ressort au consommateur et tout dépannage antérieur effectué par BSE n'emportera pas renonciation aux frais de vérification et d'évaluation. Les frais de vérification et d'évaluation peuvent être modifiés sans préavis.
5. S'il est couvert par la présente garantie limitée, BSE réparera ou remplacera le produit, à sa seule et entière discrétion, et le renverra par transport terrestre normal de son choix dans la partie continentale des USA. Le consommateur devra supporter l'ensemble des frais de transport et d'assurance liés au renvoi du produit en dehors de la partie continentale des USA, ainsi que l'ensemble des frais de transport et d'assurance liés au renvoi accéléré du produit. La responsabilité de BSE au titre de tout produit défectueux ou partie de celui-ci sera limitée à la réparation ou au remplacement dudit produit. BSE ne pourra être tenue responsable d'aucun préjudice ou dommage aux personnes ou aux biens, ni d'aucun autre dommage, qu'il soit accessoire, indirect ou autre, qui sera causé par un quelconque défaut affectant le produit ou toute partie de celui-ci.
6. Toute garantie implicite de qualité marchande ou d'adéquation à un usage particulier est limitée à la durée de validité de la présente garantie.
7. Pour bénéficier de réparations sous garantie, contactez BSE au 760-597-1642 pour obtenir un numéro d'autorisation de renvoi de marchandise, ou RGA (Returned Goods Authorization). Notez le numéro RGA sur l'extérieur de l'emballage et renvoyez le produit, en port payé et assuré, à l'adresse indiquée ci-dessous. Le consommateur assume l'ensemble des frais de transport et d'assurance liés au renvoi du produit à BSE et est responsable de tout dommage en cours de transport susceptible d'annuler la garantie ou d'augmenter le coût des réparations.

Blue Sky Energy, Inc.
2598 Fortune Way, Suite K
Vista, CA, 92081, États-Unis



SOLAR BOOST™ 3024iL

30 A 24 V GLEICHSPANNUNG / 40 A 12 V GLEICHSPANNUNG, MAXIMAL-
LEISTUNGSPUNKT-REGELUNG
PHOTOVOLTAISCHER LADEREGLER

INSTALLATION UND BEDIENERHANDBUCH



ERFÜLLT
UL STD. 1741
ZERTIFIZIERT NACH
CAN/CSA STD. E335-1/2E



ERFÜLLT
EN 61326-1:2006
EN 60335-1:2002 + A11:2004 + A1:2004
EN 60335-2-29:2004

Dieses Gerät erfüllt Abschnitt 15 der FCC-Bestimmungen. Der Betrieb unterliegt den folgenden beiden Bedingungen: 1) Dieses Gerät darf keine schädlichen Beeinträchtigungen verursachen, und 2) dieses Gerät muss jegliche Beeinträchtigungen vertragen, einschließlich Beeinträchtigungen, die unerwünschte Betriebszustände verursachen können.



DIESES HANDBUCH ENTHÄLT WICHTIGE HINWEISE FÜR DIE MODELLE SB3024iL UND SB3024DiL.
BEWAHREN SIE DIESE HINWEISE SICHER AUF

GESCHÜTZT DURCH EINES ODER MEHRERE DER FOLGENDEN US-PATENTE

6,111,391 • 6,204,645




INHALTSVERZEICHNIS

WICHTIGE SICHERHEITSANWEISUNGEN	50
PRODUKTBESCHREIBUNG	51
Teilenummern und Optionen	51
BETRIEB 3	
Ladestatus-Indikator	51
Optionale Digitalanzeige	51
Optionale Fernanzeigen	51
Mehrstufige Laderegulung	51
Hauptladung	51
Grundladung	51
Pufferladung	52
Abgleichladung	52
Automatische Abgleichladung	52
Manuelle Abgleichladung	52
Stromstärkelimit	52
Temperatur und Ausgangsleistung	52
Optionale Temperaturkompensation	53
Maximal-Sollspannungs-Limit	53
Maximal-Leistungspunkt-Regelung (MPPT)	53
Mehrere Laderegler im IPN-Netzwerk	53
INSTALLATION	53
Elektrostatische Handhabungsvorkehrungen	54
PV-Modul-Auswahl	54
Konfiguration des Solar Boost 3024i	54
Werkseitige Voreinstellungen	54
Rücksetzen der werkseitigen Voreinstellungen	54
Batterie- und PV-Spannungen	55
Ladespannung, Pufferladespannung und Ladezeit	55
Ausgangsspannungs-Anzeige	56
Batterie- und PV-Verkabelung	55
Elektromagnetische Verträglichkeit	55
Batterietemperatur-Sensor	55
Zusatzausgang	55
Zusatzbatterie-Ladung	57
Laderegler	57
Nachtbeleuchtungs-Regelung	57
Installation eines Mehrfachregler-Systems	58
Mehrfachregler-Verkabelung und -Konfiguration	58
IPN-Netzwerk-Adresse	58
Befestigung	59
ANLEITUNG ZUR FEHLERSUCHE	60
TECHNISCHE ANGABEN	62
ZWEIJÄHRIGE BESCHRÄNKTE GARANTIE	63
TABELLEN UND ABBILDUNGEN	
Tabelle 1 Ladestatus-Indikator	51
Tabelle 2 Maximale Leiterlänge - 3% Spannungsabfall	55
Abbildung 1 Frontplatte und Fernanzeige-Indikatoren	52
Abbildung 2 Werkseitiger Ladespannungs-Sollwert als Funktion der Batterietemperatur	53
Abbildung 3 Konfigurations- und Verkabelungsdiagramm	55
Abbildung 4 Zusatzausgangs-Verkabelung	57
Abbildung 5 IPN-Netzwerk-Verkabelung	58
Abbildung 6 Detaillierte Zeichnungen mit Abmessungen	59

WICHTIGE SICHERHEITSANWEISUNGEN

Dieses Handbuch enthält wichtige Anweisungen für die Modelle SB3024iL und SB3024DiL.
BEWAHREN SIE DIESE ANWEISUNGEN SICHER AUF.

- Überlassen Sie die Installation und Wartung qualifiziertem Wartungspersonal. Dieses Gerät enthält keine zu wartenden Teile.
- Die folgenden Symbole dienen zum Kennzeichnen von Gefahrensituationen bzw. wichtigen Sicherheits- und Bedienanweisungen, um somit das Risiko von Stromschlägen, Feuer und Personenschäden zu verringern.

WARNUNG	VORSICHT	WICHTIG
		
Zeigt Gefahrensituationen bzw. das Risiko von möglichen Stromschlägen an. Mit äußerster Vorsicht vorgehen.	Zeigt Dinge an, die kritisch sind für das sichere Installieren und Betreiben des Geräts.	Diese Anweisungen zum sachgemäßen Betrieb genau befolgen.

3. PERSÖNLICHE VORKEHRUNGEN

- Das Arbeiten in der Nähe von Bleibatterien ist gefährlich. Batterien erzeugen explosive Gase während des normalen Betriebs.
- Befolgen Sie diese Anweisungen sowie die Anweisungen des Batterieherstellers und der Hersteller aller Geräte, die Sie in der Nähe der Batterie zu betreiben beabsichtigen, um somit das Risiko von Batterieexplosionen zu reduzieren.
- Es sollte sich eine Person in Ihrer Rufnähe befinden bzw. nahe genug, um Ihnen zu Hilfe zu kommen, während Sie in der Nähe einer Bleibatterie arbeiten.
- Halten Sie ausreichend Frischwasser und Seife bereit für den Fall, dass Batteriesäure auf Ihre Haut, Ihre Kleidung oder in Ihre Augen gelangt.
- Tragen Sie eine Schutzbrille und Schutzbekleidung. Vermeiden Sie es, während der Arbeit in Batterienähe Ihre Augen zu berühren.
- Falls Batteriesäure auf Ihre Haut oder Kleidung gelangt, diese sofort mit Seife und Wasser waschen. Falls Säure in die Augen gelangt, diese sofort unter laufendem kaltem Wasser mindestens 10 Minuten lang abspülen und sofort medizinische Hilfe suchen.
- RAUCHEN Sie NIEMALS In Batterienähe und verhindern Sie jegliche Funken und Flammen.
- Gehen Sie mit äußerster Vorsicht vor, um das Risiko zu reduzieren, dass ein Metallwerkzeug auf die Batterie fällt. Dies kann zur Funkenbildung und zum Kurzschließen der Batterie bzw. anderer elektrischer Teile führen und eine Explosion verursachen.
- Legen Sie während der Arbeit mit einer Bleibatterie persönliche Gegenstände aus Metall, wie zum Beispiel Ringe, Armbänder und Armbanduhren, ab. Eine Bleibatterie kann einen Kurzschlussstrom erzeugen, der stark genug ist, um einen Ring oder ähnliches an Metallgegenstände anzuschweißen und somit schwere Verbrennungen zu verursachen.
- Entfernen Sie vor der Wartung bzw. Installation alle photovoltaischen und Batteriespannungsquellen.

4. AUFSTELLUNGORT UND INSTALLATION DES LADESYSTEMS

- Dieses Gerät ist zur Ladung von 12 V (6-zelligen) bzw. 24 V (12-zelligen) gefluteten oder versiegelten Bleibatterien mit einer Ladekapazität von 20 bis 10 000 AH ausgelegt. Befolgen Sie die Ladeempfehlungen des Batterieherstellers, wenn Sie dieses Gerät für andere Batterietypen verwenden wollen.
- Dieses Gerät enthält Bauteile, die Lichtbögen bzw. Funkenschlag verursachen können. Installieren Sie dieses Gerät NIEMALS in einem Batteriefach oder in Gegenwart von explosiven Gasen.
- Dieses Gerät muss unter Einhaltung der nationalen Elektrovorschriften (ANSI/NFPA 70) installiert und verkabelt werden.
- Für Überstromschutz für die Batterie muss extern gesorgt werden. Schließen Sie das Gerät unter Einhaltung der nationalen Elektrovorschriften (ANSI/NFPA 70) an einen Stromkreis mit einem maximalen 50 A-Zweigstromkreis-Überstromschutz an, um somit das Brandrisiko zu verringern.
- Für den Überstromschutz für den zusätzlichen Lastregelausgang bzw. für den Zusatzbatterie-Ladeausgang muss extern gesorgt werden. Schließen Sie das Gerät unter Einhaltung der nationalen Elektrovorschriften (ANSI/NFPA 70) an die Last bzw. die Zusatzbatterie mit einem maximalen 25 A-Überstromschutz an, um somit das Brandrisiko zu verringern.
- Stellen Sie sicher, dass das Gerät ordnungsgemäß für die zu ladende Batterie konfiguriert ist.
- Das Gerät ist nicht wasserdicht. Setzen Sie das Gerät nicht dem Regen oder Schnee aus.
- Stellen Sie sicher, dass alle Leitungsanschlüsse sauber und fest verbunden sind. Ziehen Sie die Kompressionsanschlüsse der Batterie und des PV mit einem Anzugsmoment von 5 Nm (45 in-lb) an. Ziehen Sie die Kompressionsanschlüsse des IPN-Netzwerks und des Batterietemperatur-Sensors mit einem Anzugsmoment von 0,24 Nm (2,1 in-lb) an. Ziehen Sie die Kompressionsanschlüsse des Zusatzausgangs mit einem Anzugsmoment von 0,67 Nm (6 in-lb) an.
- Schließen Sie das Gerät maximal an eine Solarbank mit einem Kurzschlussstrom von 32 A (PV-Module mit 12 V Nennspannung) bzw. mit einem Kurzschlussstrom von 24 A (PV-Module mit Nennspannung von mehr als 12 V) an. Begrenzen Sie den Kurzschlussstrom auf 12 A bei Betrieb mit 24 V Eingangsspannung und 12 V Ausgangsspannung.
- Dieses Gerät ist nicht mit einem Erdungsdetektor/Unterbrecher (GFDI) ausgestattet und muss unter Einhaltung von Paragraph 690 der nationalen Elektrovorschriften am Installationsort mit einem externen GFDI versehen werden.

5. VORBEREITUNG DES LADEVORGANGS

- Laden Sie niemals eine eingefrorene Batterie.
- Stellen Sie sicher, dass die Batterie in einem gut belüfteten Fach untergebracht ist.
- Füllen Sie alle Bleibatteriezellen mit destilliertem Wasser auf, bis die Batteriesäure das vom Hersteller vorgegebene Niveau erreicht.

PRODUKTBESCHREIBUNG

Das Solar Boost™ 3024iL ist ein mehrstufiger photovoltaischer Batterieladeregler mit *Maximal-Leistungspunkt-Regelung* (MPPT), der je nach PV-Modul und Batteriespannung bis zu 30 A bzw. 40 A bereitstellen kann. Der Zusatzausgang kann entweder als 2 A-Zusatzbatterie-Ladegerät oder als 20 A-Lastregler mit bzw. ohne variable Nachbeleuchtungs-Regelung verwendet werden. Das 3024 verfügt über eine IPN-Netzwerk-Schnittstelle, die es den Laderegler ermöglicht, untereinander zu kommunizieren und als eine Ladeeinheit zu fungieren.

TEILENUMMERN UND OPTIONEN

- SB3024iL..... Solar Boost 3024iL Laderegler
- IPNPRO IPN-ProRemote Anzeige und Batteriemonitor
- CS-500 500 A/50 mV Stromableitung
- 930-0022-20 Batterietemperatur-Sensor
- SB3024DiL..... Solar Boost 3024iL Regler mit Spannungs-/Stromstärkeanzeige
- IPNPRO-S..... IPN-ProRemote mit erforderlicher 500 A/50 mV Stromableitung
- IPNREM..... IPN-Remote Anzeige

BETRIEB

Der Betrieb der Laderegulierung und Maximal-Leistungspunkt-Regelung ist voll automatisiert. In der Nacht, wenn die PV-Energieerzeugung aufhört, wird die Solarbank von der Batterie getrennt, um unerwünschten Stromverbrauch zu verhindern. Die Ein- und Ausschaltung erfolgt mit einer Verzögerung von 5 s bzw. 45 s.



➤ Das 3024 wird mit Energie von der Batterie und nicht mit PV-Energie betrieben. Zum Betrieb des Geräts muss eine Batterie mit einer minimalen Batteriespannung von 9 V angeschlossen werden.

LADESTATUS-INDIKATOR

An der Vorderseite des 3024 sowie an der optionalen Fernanzeige befindet sich ein Ladestatus-Indikator. Wenn die Gesamtstromstärke des Batterieladestroms etwa 3 bis 5 A pro 100 AH Batterieladepkapazität übersteigt, dann kann die Ladestatus-Anzeige eine grobe Abschätzung des Batterieladestands geben.

LADESTATUS-INDIKATOR

LADESTATUS-INDIKATOR	LADEMODUS	UNGEFÄHRES LADENIVEAU
OFF (AUS)	LADUNG AUS	—
DAUERHAFT EIN	HAUPTLADUNG	<70 % VOLL
BLINKEND • 1 s EIN / 1 s AUS	GRUNDLADUNG	70 % - 95% VOLL
BLINKEND • 0,2 s EIN / 1 s AUS	PUFFERLADUNG	VOLLSTÄNDIG AUFGELADEN
SCHNELL BLINKEND • 0,2 s EIN / 0,2 s AUS	ABGLEICHLADUNG	—

TABELLE 1

OPTIONALE DIGITALANZEIGE

Das SB3024DiL verfügt über eine Digitalanzeige für die Batteriespannung und den Ausgangsladestrom. Während der Ladung schaltet die Anzeige zwischen Spannung und Stromstärke hin und her. Wenn der "AMPS"-Indikator (Ampere) aktiviert ist, weist die Anzeige die Stromstärke aus, die entweder die *Gesamtstromstärke* aller Regler im IPN-Netzwerk (werkseitige Standardeinstellung) oder die *Stromstärke eines einzelnen Reglers* im IPN-Netzwerk darstellen kann. Wenn die PV-Ladung AUS ist, dann reduziert eine Abblendfunktion die Anzeigehelligkeit.

OPTIONALE FERNANZEIGEN

Es stehen zwei Fernanzeigen zur Verfügung. Das IPN-Remote verfügt über die gleichen Anzeigefunktionen wie das SB3024DiL. Das vollausgestattete IPN-ProRemote verfügt über Konfigurationsmöglichkeiten und erweiterte Funktionen zur Überwachung der Laderegler im IPN-Netzwerk. Des weiteren verfügt es über einen kompletten Batterieüberwachungs-Monitor mit verschiedenen AH-Zählern und einer hochgenauen Batterieflüssigkeits-Anzeige.

MEHRSTUFIGE LADEREGELUNG

Hauptladung

Das 3024 befindet sich im Hauptladungs-Modus, wenn die Batteriespannung unter dem Spannungswert für Grundladung liegt. Während der Hauptladung stellt das 3024 den größtmöglichen Ladestrom bereit, um die Batterie schnell zu laden. Eine automatische Strombegrenzung verhindert, dass der Ausgangsstrom die maximale Stromgrenze des 3024 überschreitet.

Grundladung

Wenn sich die Batterie genügend erholt hat, sodass die Spannung bis auf den Spannungswert der Grundladung steigt (werkseitig auf 14,4 V/28,8 V voreingestellt), dann wird die Stromstärke derart reduziert, dass die Grundladungs-Spannung eingehalten wird. Das 3024 bleibt Grundladung, bis die Batterie voll aufgeladen ist, was bestimmt wird, indem entweder

5. das 3024 für eine der Ladezeit entsprechende Zeitspanne (werkseitig auf 2 h eingestellt) in Grundladung verweilt hat,
– ODER –
6. bei der IPN-ProRemote Anzeige die Gesamtstromstärke des Batterieladestroms in Grundladung auf den Einstellwert der Pufferladungsübergangs-Stromstärke abgefallen ist (werkseitig auf 1,5 A pro 100 AH Batterieladepkapazität eingestellt).

Pufferladung

Sobald die Batterie voll aufgeladen ist, wird eine etwas geringere Pufferladungs-Spannung angelegt (werkseitig auf 13,2 V/26,4 V voreingestellt), um die Batterie ohne übermäßigen Wasserverlust im voll aufgeladenen Zustand zu halten.

FRONTPLATTE UND FERNANZEIGE-INDIKATOREN

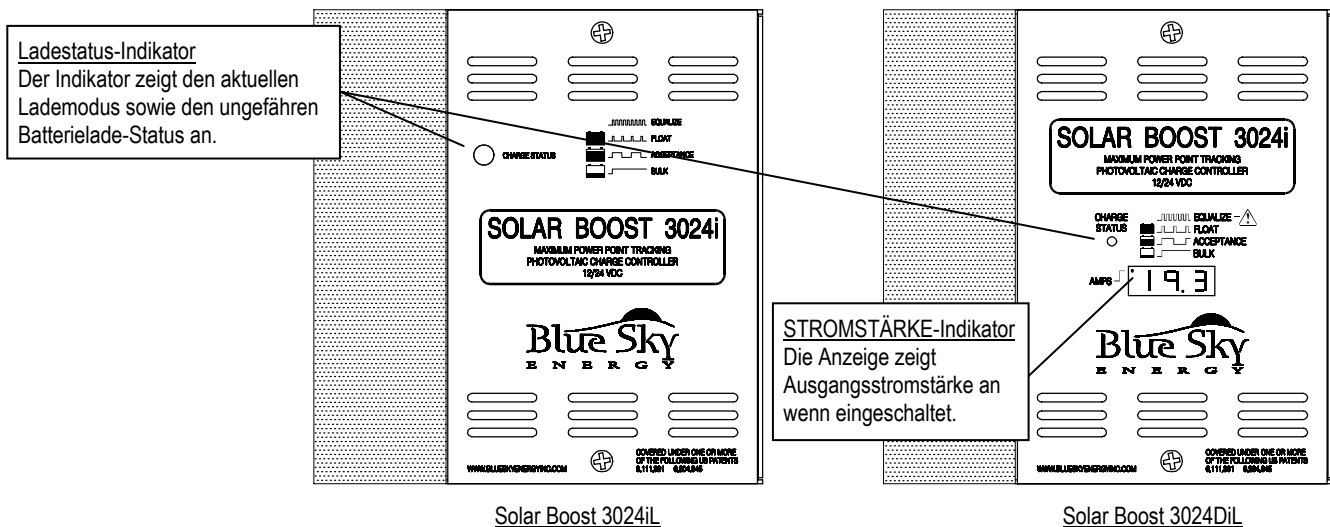


ABBILDUNG 1

ABGLEICHLADUNG



➤ **WARNUNG** Nicht alle Batterien können problemlos abgeglichen werden. Abgleichladung sollte nur bei gelüfteten Flüssigelektrolyt-Bleibatterien angewandt werden. Befolgen Sie immer die Anweisungen des Batterieherstellers bezüglich Abgleichladung. Bei der Abgleichladung wird eine hohe Spannung angelegt, was zu einer erheblichen Batteriebegasung führen kann. Klemmen Sie jegliche Geräte ab, die die hohe, temperaturkompensierte Abgleichladungs-Spannung nicht vertragen.

Eine periodische Abgleichladung verbessert die Batterieleistung und -lebensdauer, indem alle Batteriezellen auf das gleiche spezifische Gewichtsniveau gebracht werden und die Elektrolytschichtbildung beseitigt wird. Die Abgleichladungs-Parameter sind werkseitig auf 15,2 V/30,4 V für 2 Stunden aller 30 Tage eingestellt. Zur sachgemäßen Abgleichladung ist eine minimale Sollwert-Ladestromstärke von etwa 3 A pro 100 AH Batterieladepkapazität erforderlich. Falls nicht genügend Stromstärke zur Verfügung steht, dann muss die Abgleichladung möglicherweise manuell abgebrochen werden, da der Abgleichladungs-Zeitgeber die Rückwärtszählung nicht beenden kann.

Der Abgleichladungs-Zeitgeber bestimmt die Zeitdauer bei einer bestimmten Spannung, und dieser zählt in Zeitinkrementen von 3 Minuten. Der Abgleichladungs-Zeitgeber zählt nur, wenn die Batterie am Spannungssollwert für die Abgleichladung ist. Das 3024 bleibt im Abgleichladungs-Modus, bis die erforderliche Zeit mit der entsprechenden Spannung akkumuliert wurde bzw. bis der Abgleichladungs-Modus manuell deaktiviert wird. Falls die Abgleichladung nach Ablauf des Ladetages nicht komplett ist, dann wird diese zu Beginn des nächsten Ladetages fortgesetzt.

Automatische Abgleichladung

Wenn der DIP-Schalter Nr. 5 vor dem Anlegen der Batteriespannung in Stellung ON (EIN) ist, dann wird die automatische Abgleichladung aktiviert. Das 3024 führt die automatische Abgleichladung aus, wenn die voreingestellte Anzahl von Tagen verstrichen ist (werkseitig auf 30 Tage voreingestellt).

Manuelle Abgleichladung

Wenn der DIP-Schalter Nr. 5 in der Stellung OFF (AUS) ist, dann ist die Abgleichladung komplett deaktiviert. Eine manuelle Abgleichladung kann ausgeführt werden, indem der DIP-Schalter Nr. 5 in die Stellung ON (EIN) gebracht wird, nachdem die Batteriespannung angelegt wurde. Bringen Sie den DIP-Schalter Nr. 5 nach einem manuellen Abgleichladungs-Zyklus in die Stellung OFF (AUS). Wenn der DIP-Schalter Nr. 5 in Stellung ON (EIN) belassen wird, dann ist die automatische Abgleichladung aktiviert. Wenn der DIP-Schalter Nr. 5 in Stellung ON (EIN) ist, dann kann die Abgleichladung auch vom IPN-ProRemote gesteuert werden.

STROMSTÄRKELIMIT

Das automatische Stromstärkelimit verhindert, dass die Ausgangsstromstärke 40 A bei 12 V-Batterien und 12 V-PVs übersteigt. Wenn die Leerlaufspannung (V_{oc}) des PV 30 V übersteigt, was bei einer PV-Nennspannung von mehr als 12 V auftritt, dann wird das Stromstärkelimit auf 30 A gesetzt, bis das 3024 neu gestartet wird. Beachten Sie, dass wenn das 3024 das Stromstärkelimit verlässt, dann geht es für eine kurze Zeit auf Grundladung über, bevor es auf MPPT schaltet, obwohl die Batteriespannung möglicherweise niedrig ist.

TEMPERATUR UND AUSGANGSLEISTUNG

Wenn das 3024 gemäß den Anweisungen im Abschnitt Installation befestigt wurde, dann kann es die volle Ausgangsleistung bis zu einer Umgebungstemperatur von 40°C (104°F) liefern. Wenn ein Übertemperaturzustand vorliegt, dann schaltet sich das 3024 ein und aus und reduziert somit die durchschnittliche Ausgangsleistung auf einen zulässigen Wert. Während der thermischen Abschaltung zeigt der Ladezustands-Indikator OFF (AUS) an.

OPTIONALE TEMPERATURKOMPENSATION

Der optionale Batterietemperatur-Sensor gleicht die Ladespannungs-Sollwerte entsprechend der Batterietemperatur an, wodurch die Batterieleistung und -lebensdauer erhöht und die Wartung verringert werden. Der standardmäßige Kompensationsfaktor von $-5,00 \text{ mV}/^\circ\text{C}/\text{Zelle}$ ist für die meisten Bleibatterien geeignet.

WERKSEITIGER STANDARDMÄSSIGER LADESANNUNGS-SOLLWERT ALS FUNKTION DER BATTERIETEMPERATUR

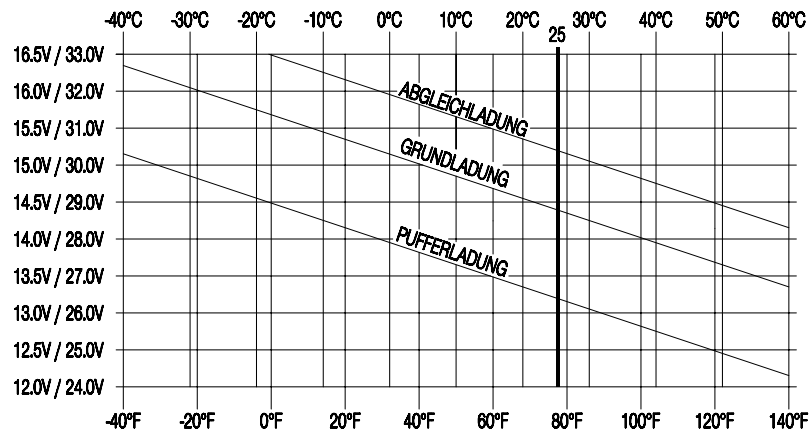


ABBILDUNG 2

MAXIMAL-SOLLSPANNUNGS-LIMIT

Unabhängig von den vom Bediener eingegebenen bzw. von der Temperaturkompensation resultierenden Sollwerten lässt das 3024 keinen Ladespannungs-Sollwert zu, der das Maximal-Spannungssollwert-Limit übersteigt (werkseitig auf $15,5 \text{ V}/31,0 \text{ V}$ voreingestellt). Beachten Sie, dass die tatsächliche Batteriespannung diesen Wert kurzzeitig um $0,1 - 0,2 \text{ V}$ übersteigen kann, während der Spannungsregelungs-Servo auf Laständerungen reagiert.

MAXIMAL-LEISTUNGSPUNKT-REGELUNG (MPPT)

Die patentierte MPPT-Technologie kann mehr Leistung extrahieren und die Ladestromstärke im Vergleich zu konventionellen Reglern um 30% oder mehr erhöhen. Die wesentlichen Betriebsbedingungen, die die Stromverstärkungs-Leistung beeinflussen, sind die Solarbank-Temperatur und die Batteriespannung. Bei konstanter Sonnenintensität *steigen* die verfügbare PV-Spannung und -leistung an, während die PV-Temperatur *fällt*, wobei jedoch ein MPPT-Regler erforderlich ist, um auf diese Leistung zugreifen zu können. Wenn die PV-Spannung bei der Hauptladung hoch genug ist, um die MPPT-Funktion zu aktivieren, dann wird eine *konstante* Ausgangsleistung an die Batterie abgegeben. Da die Ausgangsleistung konstant ist, erzeugt eine *Verringerung* der Batteriespannung einen weiteren *Anstieg* der Ladestromstärke. Dies bedeutet, dass das 3024 genau dann die höchste Ladestromstärke liefert, wenn diese am meisten benötigt wird, nämlich bei kaltem Wetter und entladener Batterie. Bei kalten, angenehmen Temperaturen weisen die meisten Systeme einen Anstieg von 10 – 20% auf. Bei hohen Temperaturen kann der Anstieg der Ladestromstärke gegen Null gehen, während dieser bei Frost und entladener Batterie leicht 30% übersteigen kann. Siehe www.blueskyenergyinc.com für eine detailliertere Beschreibung der MPPT-Funktion.

MEHRERE LADEREGLER IM IPN-NETZWERK

Die Architektur des IPN-Netzwerks ermöglicht den Betrieb von mehreren Laderegler als eine Ladeeinheit. Es können bis zu 8 IPN-kompatible Laderegler in einem einzigen Netzwerk fungieren und eine Anzeige sowie einen Batterietemperatur-Sensor gemeinsam nutzen. Es können mehrere Laderegler hinzugefügt und somit ein kleines System zu einem großen System erweitert werden, das aus Sicht des Benutzers als ein Laderegler fungiert.

INSTALLATION



➤ **WARNUNG** Lesen Sie die wichtigen Sicherheitsanweisungen am Anfang dieses Benutzerhandbuchs vor dem Fortfahren durch und befolgen Sie diese. Dieses Gerät muss unter Einhaltung der nationalen Elektrovorschriften (ANSI/NFPA 70) installiert und verkabelt werden. Für Überstromschutz muss extern gesorgt werden. Schließen Sie das Gerät unter Einhaltung der nationalen Elektrovorschriften (ANSI/NFPA 70) an einen Stromkreis mit einem maximalen 40 A-Überstromschutz (50 A bei 12 V-Batterie und 12 V-PV-Modulen) an, um das Brandrisiko zu verringern. Schließen Sie keine Solarbank an, die unter standardmäßigen Testbedingungen einen Kurzschlussstrom I_{sc} von 24 A bereitstellen kann (32 A bei 12 V-Batterien und 12 V-Modulen). Verbinden Sie die Batterie- und PV-Minuspole nicht außerhalb des Geräts. Dieses Gerät ist nicht mit einem Erdungsdetektor/-unterbrecher ausgestattet und muss unter Einhaltung von Paragraph 690 der nationalen Elektrovorschriften am Installationsort mit einem externen Erdungsdetektor/-unterbrecher versehen werden. Trennen Sie vor der Installation bzw. Wartung alle Spannungsquellen, um das Risiko von Stromschlägen zu reduzieren. Die Abbildungen 3, 4 und 5 zeigen nur die verallgemeinerten Verbindungen und sind nicht dazu bestimmt, die gesamte Verkabelung, den Stromkreisschutz und die Sicherheitsanforderungen eines photovoltaischen Elektrosystems aufzuzeigen.



➤ **VORSICHT:** Das 3024 ist gegen Verpolung der Batterie und der PV-Einheit sowie Vertauschung von Batterie- und PV-Anschlüssen geschützt, aber ein verpoltetes Anschließen einer Batterie an den PV-Anschlussklemmen verursacht eine Beschädigung. Das Gerät ist gegen kurzzeitige Spannungsschläge infolge von Blitzschlag geschützt, aber eine konstante Spannung von mehr als 57 V Gleichspannung an den Batterie- bzw. PV-Anschlussklemmen führt zu dessen Beschädigung. Eine Beschädigung dieser beiden Typen macht die beschränkte Garantie ungültig.

ELEKTROSTATISCHE HANDHABUNGSVORKEHRUNGEN

Berühren Sie vor der Handhabung des 3024 einen Wasserhahn oder einen anderen geerdeten Gegenstand, um etwaige elektrostatische Aufladung zu entladen, und vermeiden Sie das Berühren der Leiterplattenkomponenten, um somit die Wahrscheinlichkeit einer Beschädigung zu minimieren. Das Risiko der Beschädigung durch elektrostatische Entladung ist am größten, wenn die relative Luftfeuchtigkeit unter 40% liegt.

PV-MODUL-AUSWAHL

Die Spannung, Stromstärke und Leistung, die von photovoltaischen (PV) Modulen erzeugt werden, hängen stark von den Betriebsbedingungen ab. Demzufolge wird eine Anzahl von Testbedingungen, die als *Standard-Testbedingungen (STC)* bezeichnet werden, verwendet, um die Module aussagekräftig einzustufen und die tatsächliche Leistung in praktischen Anwendungen genau vorherzusagen. Die STC-Einstufungen sind keine maximalen oder optimalen Einstufungen. Es können Bedingungen auftreten, bei denen sich V_{OC} und I_{SC} Werten von 1,25 Mal der STC-Einstufung nähern, und deshalb erfordern die nationalen Elektrovorschriften und unsere Empfehlungen eine Herabsetzung von V_{OC} und I_{SC} um einen Faktor von 1,25. Unter realen Anwendungsbedingungen beträgt I_{MP} jedoch gewöhnlich lediglich 75-80% des entsprechenden Werts unter STC-Bedingungen.

Wesentliche PV-Modulangaben:

- P_{MAX} Maximale Leistung in W ($P_{MAX} = V_{MP} \times I_{MP}$)
- V_{OC} Modul-Leerlaufspannung (gewöhnlich etwa 20–22 V bei 12 V-Modulen)
- V_{MP} Spannung, bei der der Modul die Maximalleistung erzeugt (gewöhnlich etwa 17–18 V bei 12 V-Modulen)
- I_{MP} Stromstärke, bei der der Modul die Maximalleistung erzeugt
- I_{SC} Stromstärke bei Modul-Kurzschluss

Das 3024 erzeugt die beste MPPT-Stromstärkeverstärkung, wenn alle PV-Module identisch sind. Schalten Sie verschiedene Modultypen nicht in Reihe. Unterschiedliche Module in Parallelschaltung sollten V_{MP} -Werte von etwa 0.5 V oder besser bei 12 V-Modulen aufweisen und auf derselben Zellentechnologie beruhen, sodass V_{MP} den Änderungen in den Betriebsbedingungen folgt. Ziehen Sie bei verschiedenen Modultypen die Verwendung von separaten Laderegler für jeden Modultyp in Erwägung, um somit die beste MPPT-Stromverstärkungsleistung zu erzielen. Wählen Sie PV-Module aus, die die maximale unten angegebene Einstufung nicht übersteigen und vorzugsweise mindestens einen I_{MP} -Wert von 3 A pro 100 AH Batteriekapazität erzeugen.

Nenn-Batterie-Spannung	Automatisches Stromstärke-limit	Maximale PV-Leistung unter STC	Maximale PV-Kurzschluss-Stromstärke I_{SC} unter STC	Maximale PV-Leerlauf-Spannung V_{OC} unter STC	Empfohlener V_{MP} -Bereich unter STC		
					Nennspannung 12 V-PV	Nennspannung 18 V-PV	Nennspannung 24 V-PV
12 V	40 A*	540 W	32 A*	24,0 V	16,5–18,5 V	5	5
12 V	30 A	400 W	16 A	45,6 V	5	24,8–27,8 V	5
12 V	30 A	400 W	24 A	45,6 V	5	5	33,0–37,0 V
24 V	30 A	800 W	24 A	45,6 V	5	5	33,0–37,0 V

* Die Nennstromstärke und das Stromstärkelimit betragen 40 A beim Aufladen von 12 V-Batterien von PV-Modulen mit 12 V-Nennspannung. Wenn die PV- V_{OC} jemals 30 V (PV-Module mit Nennspannung >12 V) übersteigt, dann sind die Nennstromstärke und das Stromstärkelimit 30 A.

KONFIGURATION DES SOLAR BOOST 3024

- Das 3024 verfügt über verschiedene Konfigurationsparameter, die alle werkseitig voreingestellt werden. Stellen Sie sicher, dass die Ladeparameter des 3024 innerhalb der vom Batteriehersteller vorgegebenen Bereiche liegen. Die standardmäßigen Einstellungen sind typischerweise für die meisten versiegelten Bleibatterien geeignet und erfordern wahrscheinlich keine Änderungen.
- Die Konfigurationsparameter lassen sich in zwei Kategorien unterteilen, nämlich grundlegende und fortgeschrittene Parameter. Die grundlegenden Parameter können mittels des 3024 in begrenzten Schritten und Bereichen wie in Abbildung 3 dargestellt konfiguriert werden. Der Zugriff auf die fortgeschrittenen Parameter erfordert das IPN-ProRemote. Das IPN-ProRemote ermöglicht außerdem die Konfiguration der grundlegenden Einstellungen in kleineren Schritten und über größere Bereiche. Alle Konfigurationsparameter bleiben erhalten bei Spannungsausfall oder wenn das IPN-ProRemote lediglich zur Konfiguration benutzt und danach entfernt wird.

Werkseitige Voreinstellungen

Grundlegende Einstellungen

- Lademodus 3-stufig
- Grundladespannung 14,4 V/28,8 V
- Pufferladespannung 13,2 V/26,4 V
- Ladezeit 2,0 Stunden
- Abgleichladung deaktiviert
- IPN-Netzwerk-Adresse 0 (Null)
- Zusatzausgangs-Modus Zusatzbatterie-Ladegerät
- Alle DIP-Schalter OFF (AUS)
- Stromstärkeanzeige (SB3024Di) IPN-Netzwerk insgesamt

Fortgeschrittene Einstellungen

- Abgleichladespannung 15,2 V/30,4 V
- Abgleichladezeit 2,0 Stunden
- Automatische Abgleichladedauer 30 Tage
- Maximal-Spannungssollwert-Limit 15,5 V/31,0 V
- Pufferladungsübergangs-Stromstärke 1,5 A/100 AH
- Temperaturkompensations-Faktor -5,00 mV/°C/Zelle
- Spannung bei Lastregelung ON (EIN) 12,6 V/25,2 V
- Spannung bei Lastregelung OFF (AUS) 11,5 V/23,0 V
- Nachtbeleuchtungs-Regelung deaktiviert

Rücksetzen der werkseitigen Voreinstellungen

1. Unterbrechen Sie die PV- und Batteriespannungszufuhr.
2. Schalten Sie **ALLE** 8 DIP-Schalter der Spannungsversorgungsplatine in Abbildung 3 auf **ON** (EIN).
3. Legen Sie die Batteriespannung 10 Sekunden lang an und unterbrechen Sie diese danach wieder.
4. Setzen Sie **ALLE** 8 DIP-Schalter der Spannungsversorgungsplatine auf deren standardmäßige **OFF** (AUS) Stellung zurück.
5. Falls eine Anzeige vorhanden ist, dann setzen Sie die Anzeige-DIP-Schalter Nr. 4 auf **ON** (EIN) und Nr. 1-3 auf **OFF** (AUS).
6. Das Gerät ist nun auf die werkseitigen Voreinstellungen zurückgesetzt.

Batterie- und PV-Spannungen



➤ Die Batterie- und PV-Nennspannungen werden automatisch bestimmt. Die Batterie wird als 12 V-Batterie klassifiziert, wenn die Spannung beim erstmaligen Anschließen unter 16 V liegt, und als 24 V-Batterie, wenn die Batteriespannung darüber liegt. Die PV-Spannung wird ebenfalls automatisch bestimmt. Falls die PV-Nennspannung nach der Installation geändert wird, muss die Spannungszufuhr kurzzeitig unterbrochen werden, um das 3024 neu zu starten.

Ladespannung, Pufferladespannung und Ladezeit

Die Sollwerte für Grundladespannung, Pufferladespannung und Ladezeit können angezeigt oder mittels der Parameterkonfigurations-LEDs und DIP-Schalter in Abbildung 3 geändert werden. Bedienen Sie dabei jeweils nur einen Schalter. Setzen Sie den DIP-Schalter kurzzeitig auf ON (EIN), um die derzeitige Einstellung anzuzeigen (Nr. 8: V_{CHG}, Nr. 6: V_{FLOT}, Nr. 7: T_{CHG}). Die Spannungssollwerte für 24 V-Batterien sind doppelt so hoch.

Schalten Sie den entsprechenden DIP-Schalter auf ON (EIN), OFF (AUS) und danach wieder auf ON (EIN), bevor die LEDs verlöschen. Das 3024 schaltet in den Konfigurationsmodus und fragt die verfügbaren Einstellungen ab. Schalten Sie den DIP-Schalter bei der gewünschten Einstellung auf OFF (AUS), um den neuen Wert zu speichern. Falls die Pufferladespannung auf "No Float" (keine Pufferladung) gesetzt ist, dann fungiert das 3024 als zweistufiges Ladegerät, schaltet nicht auf "Float" (Pufferladung) und zeigt die Ladezeit mittels der Konfigurations-LEDs an.

KONFIGURATIONS- UND VERKABELUNGSDIAGRAMM

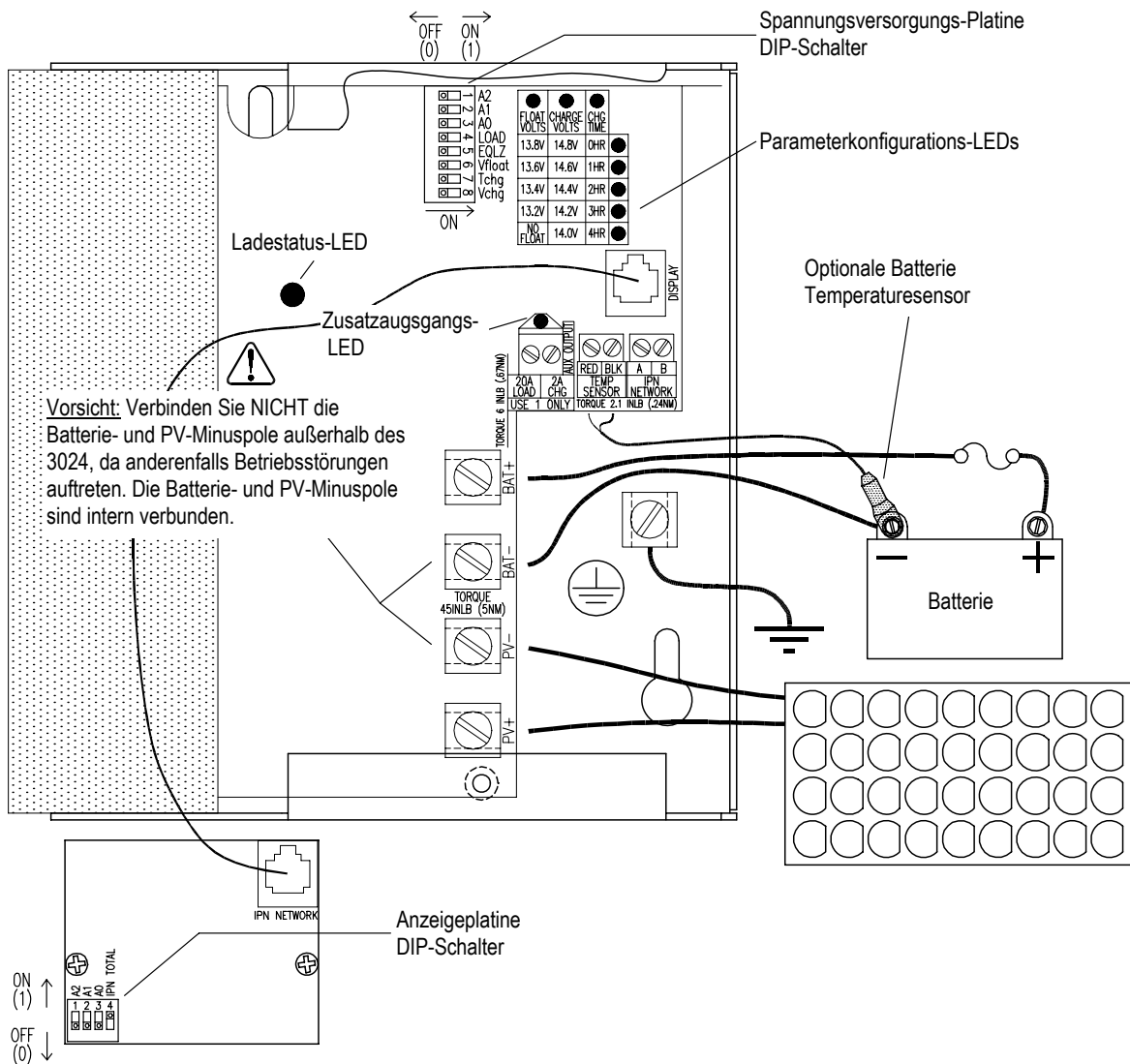


ABBILDUNG 3

Ausgangsstromstärke-Anzeige (nur SB3024DiL)



➤ Die Anzeige kann die Gesamt-Ausgangsstromstärke aller im Netzwerk befindlichen Regler oder die Ausgangsstromstärke eines einzelnen Reglers anzeigen. Zur Anzeige der Ausgangsstromstärke eines einzelnen Reglers müssen die IPN-Netzwerk-Adressen der Anzeige und des Ladereglers übereinstimmen.

ANZEIGEPLATINE DIP-SCHALTER	IPN-ADRESSW – AUSGANGSSTROMSTÄRKE EINER LADEEINHEIT								GESAMT- AUSGANGSSTROMSTÄRKE ALLER LADEGERÄTE IM IPN-NETZWERK
	0	1	2	3	4	5	6	7	
Nr. 1 (A2)	AUS	AUS	AUS	AUS	EIN	EIN	EIN	EIN	egal
Nr. 2 (A1)	AUS	AUS	EIN	EIN	AUS	AUS	EIN	EIN	egal
Nr. 3 (A0)	AUS	EIN	AUS	EIN	AUS	EIN	AUS	EIN	egal
Nr. 4 (IPN insgesamt)	AUS	AUS	AUS	AUS	AUS	AUS	AUS	AUS	ON (EIN)

BATTERIE- UND PV-VERKABELUNG



➤ **VORSICHT:** Die Batterie- und PV-Kompressionsanschlüsse sind für Kabel der Typen 14–4 AWG geeignet und werden mit einem Anzugsmoment von 5 Nm (45 in-lb) angezogen. Die IPN-Netzwerk-Kompressionsanschlüsse sind für Kabel der Typen 24-14 AWG geeignet und werden mit einem Anzugsmoment von 0,24 Nm (2,1 in-lb) angezogen. Die Zusatzausgangs-Kompressionsanschlüsse sind für Kabel der Typen 24-12 AWG geeignet und werden mit einem Anzugsmoment von 0,67 Nm (6 in-lb) angezogen.

➤ **VORSICHT:** Verbinden Sie NICHT die Batterie- und PV-Minuspole außerhalb des 3024, da anderenfalls Betriebsstörungen auftreten. Die Batterie- und PV-Minuspole sind intern verbunden.

Eine erstrebenswerte Installation verursacht einen Gesamt-Spannungsabfall der Verkabelung von maximal 3%. Die Längen in Table 2 sind gemessen vom PV zur Batterie mit dem 3024 im Pfad. Die Kabellänge kann umgekehrt proportional zur tatsächlichen Stromstärke verlängert werden. Wenn die Stromstärke um die Hälfte reduziert wird, dann können die Kabellängen verdoppelt werden und trotzdem einen Spannungsabfall von maximal 3% verursachen.

MAXIMALE LEITERPAARLÄNGE – 3% SPANNUNGSABFALL

KABELSTÄRKE AWG	12 V-SYSTEM BEI 32 A FUSS / METER	24 V-SYSTEM BEI 24 A FUSS / METER
12 AWG	4,0 / 1,2	10,7 / 3,3
10 AWG	6,4 / 2,0	16,9 / 5,2
8 AWG	10,1 / 3,1	26,9 / 8,2
6 AWG	16,1 / 4,9	42,8 / 13,0
4 AWG	25,5 / 7,8	68,1 / 20,7
2 AWG	40,6 / 12,4	108,2 / 33,0
1/0 AWG	64,6 / 19,7	172,2 / 52,5

TABELLE 2

ELEKTROMAGNETISCHE VERTRÄGLICHKEIT

Um die Vorschriften bezüglich der elektromagnetischen Verträglichkeit zu erfüllen, müssen die Batterie- und PV-Verkabelung des 3024 in geerdeten Kabelröhren verlegt und die beiden zangenartigen Ferritentstörer installiert werden. Klemmen Sie einen Entstörer an den Batterieplus- und -minuskabeln an. Klemmen Sie den zweiten Entstörer an den Batterietemperatur-Sensor- und Fernanzeige-Kabeln an und legen Sie dabei die Kabel in Schleifen, sodass diese dreimal durch den Kern geführt werden. Wenn sowohl Sensor- als auch Anzeigekabel verwendet werden, dann muss die Ummantelung des Sensorkabels auf einer Länge von etwa 30 cm (12 Zoll) abgestreift werden, sodass beide Kabel dreifach durch den Kern passen. Stellen Sie sicher, dass die beiden Entstörer befestigt werden, sodass sie die Komponenten auf der Leiterplatte nicht beschädigen. Zusätzliche Entstörer können Sie unter BSE-Teilenummer 523-0005-01 bestellen.

BATTERIETEMPERATUR-SENSOR

Die Installation des optionalen Batterietemperatur-Sensors ermöglicht die Temperaturkompensation aller Ladespannungswerte. In einem System mit mehreren Reglern muss ein Temperatursensor an den IPN-Master angeschlossen werden. Schließen Sie ausschließlich Batterietemperatur-Sensoren und Verbindungen der Firma Blue Sky Energy mit der Teilenummer 930-0022-20 an. Stellen Sie sicher, dass Sie die korrekte ROT/SCHWARZ-Polung einhalten.

ZUSATZAUSGANG

Der Zusatzausgang kann für die folgenden drei Funktionen verwendet werden: als 2 A-Zusatzbatterie-Ladegerät, als 20 A-Lastregler mit Lasttrennung bei Unterspannung (LVD) oder als variabler 20 A-Nachtbeleuchtungs-Regler. Die Lade-/Lastfunktion wird mittels DIP-Schalter Nr. 4 in Abbildung 3 gewählt. Das IPN-ProRemote ist erforderlich, um die LVD-Schwellwerte einzustellen oder die Nachtbeleuchtungs-Regelung zu aktivieren. Die Zusatzausgänge in einem System mit mehreren Reglern funktionieren normal, aber lediglich der Zusatzausgang im Master kann mit Hilfe des IPN-ProRemote konfiguriert oder überwacht werden. Die LED des Zusatzausgangs "Load" (Last) leuchtet, wenn der Zusatzausgang im Betriebszustand ON (EIN) ist.



➤ **VORSICHT:** Der Zusatzausgang kann nicht gleichzeitig die Batterielade- und Lastregelungs-Funktionen ausüben. Schließen Sie diesen nicht an den 20 A-Lastanschluss zur Zusatzbatterie-Ladung an.

ZUSATZBATTERIE-LADUNG – DIP-SCHALTER NR. 4 OFF (AUS)

Die Zusatzladefunktion wird dazu benutzt, um eine Zusatzbatterie mit derselben Spannung wie die Hauptbatterie zu laden. Wenn die Hauptbatterie im Betriebsmodus Grundladung oder Pufferladung ist, dann werden bis zu 2 A bei etwa der gleichen Ladespannung zur Zusatzbatterie umgeleitet. Im Betriebsmodus Hauptladung oder Abgleichladung wird die Zusatzbatterie deaktiviert. Verwenden Sie Kabel des Typs 14 AWG, um den Spannungsabfall und den 25 A-Überstromschutz zu minimieren. Der Minuspol der Zusatzbatterie muss mit dem Minuspol der Hauptbatterie verbunden werden.

ZUSATZAUSGANGS-VERKABELUNG

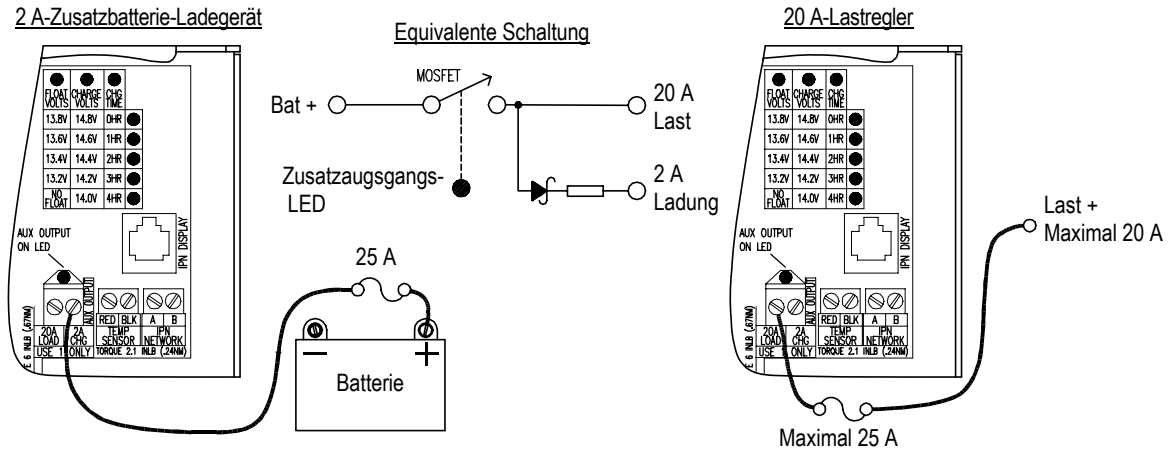


ABBILDUNG 4

LADEREGLER – DIP-SCHALTER NR. 4 ON (EIN)

Der Lastregler kann bis zu 20 A kontinuierlichen Ausgangsstrom von der Batterie liefern. Die Standardeinstellungen sind für LVD-Betrieb mit ON (EIN) bei $V_{BAT} \geq 12,6/25,2V$ und OFF (AUS) bei $V_{BAT} \leq 11,5/23,0V$, und diese können mittels des IPN-ProRemote geändert werden. Der Betrieb kann auch auf die Batterie-Nennladekapazität bezogen werden, falls ein IPN-ProRemote vorhanden ist. Die Betriebszustände ON (EIN) / OFF (AUS) müssen 20 Sekunden lang vorliegen, bevor die Umschaltung erfolgt. Wenn die höheren/niedrigeren Werte vertauscht werden, dann wird die Regellogik invertiert. Der Minuspol der Last muss mit dem Minuspol der Batterie verbunden werden.



➤ **VORSICHT:** Der 25 A-Überstromschutz für den Lastregelungs-Ausgang muss extern zur Verfügung gestellt werden. Wenn der Lastregelungs-Ausgang derartig konfiguriert ist, dass er auf der Basis der Batterie-Nennladekapazität arbeitet, dann müssen die Schwellwerte für ON (EIN) / OFF (AUS) ebenfalls konfiguriert werden. Falls die Ladekapazität (in AH) vom Vollzustand nicht verfügbar ist, dann wird der spannungsbasierte Betrieb wieder aufgenommen. Die Schwellwerte für Spannung and Ladekapazität ON (EIN) / OFF (AUS) dürfen nicht gleich sein, da andernfalls unzulässige Betriebszustände auftreten.

NACHTBELEUCHTUNGS-REGELUNG – DIP-SCHALTER NR. 4 ON (EIN)

Ein IPN-ProRemote mit Softwareversion V2.00 oder höher ist erforderlich, um die Beleuchtungs-Regelung zu aktivieren. Siehe das IPN-ProRemote Bedienerhandbuch für Anweisungen zur Konfiguration der Beleuchtungsregelung. Variable Zeiteinstellungen sind verfügbar, um die Beleuchtung nach der Abenddämmerung (Zeitgeber nach Abenddämmerung) und/oder vor der Morgendämmerung (Zeitgeber vor Morgendämmerung) einzuschalten. Wenn beide Zeitgeber DEAKTIVIERT (werkseitige Standardeinstellung) werden, dann wird die Beleuchtungsregelungs-Funktion deaktiviert. Falls einer der Zeigeber nach Abenddämmerung bzw. vor Morgendämmerung auf einen Zeitwert eingestellt wird, dann wird die Beleuchtungsregelungs-Funktion aktiviert. Wenn die Beleuchtungsregelung aktiviert ist, dann wird der Zusatzausgang sowohl durch die normale Lastregelungs-Funktion als auch durch die Beleuchtungsregelungs-Funktion geregelt, sodass sich jene Funktion durchsetzt, die den Zusatzausgang auf OFF (AUS) setzen will.

Die Abenddämmerung bzw. Nacht beginnt, wenn das Laderegelungs-System auf OFF (AUS) schaltet, was passiert, wenn die Stromstärke des PV-Moduls bei Batteriespannung unter etwa 50 mA fällt. Die Morgendämmerung bzw. der Tag beginnt, wenn das Laderegelungs-System auf ON (EIN) schaltet, was passiert, wenn die Stromstärke des PV-Moduls bei Batteriespannung auf etwa 100 mA ansteigt. Wenn der Zeitgeber nach Abenddämmerung auf 1,0 h und der Zeitgeber vor Morgendämmerung auf 2,0 h gesetzt ist, dann schalten sich die Lichter bei Abenddämmerung ON (EIN), bleiben eine Stunde lang ON (EIN) und schalten sich danach OFF (AUS). Zwei Stunden vor der Morgendämmerung schalten sich die Lichter wieder ON (EIN) und bleiben ON (EIN) bis zur Morgendämmerung. Stellen Sie den Zeitgeber nach Abenddämmerung auf 20 Stunden, um eine vollständige Beleuchtung von Abenddämmerung bis Morgendämmerung zu erzielen. Die Lichter bleiben immer OFF (AUS), wenn das Laderegelungs-System ON (EIN) ist.

Wenn das 3024 erstmals mit Batteriespannung versorgt wird, dann ist der Zeitpunkt der Morgendämmerung unbestimmt. Daher funktioniert die Regelung vor Morgendämmerung in der ersten Nacht nicht. Sobald eine Nachtperiode von 4 Stunden oder mehr erkannt wurde, dann wird diese Nachtperiode gespeichert und die Regelung vor Morgendämmerung wird aktiviert. In jeder darauffolgenden Nacht wird eine Periode von mehr als 4 Stunden zum gefilterten Nachtzeit-Durchschnitt hinzugefügt.

INSTALLATION EINES MEHRFACHREGLER-SYSTEMS

Eine Kommunikationsverbindung zwischen den Reglern wird hergestellt durch Serienschaltung mittels eines verdrehten Kabels vom IPN-Netzwerkanschlussblock, Regler zu Regler (A zu A, B zu B) wie in Abbildung 5 dargestellt. Es können bis zu 8 IPN-basierte Laderegler in einem Mehrfachregler-System verbunden werden. Die Geräteadresse 0 (Null) ist der Master und 1 – 7 sind die Slaves. Der Master regelt den Ladevorgang und regelt die Aktivitäten der Slaves. Das Laderegelungs-System startet, wenn ein oder mehrere Regler PV-Eingangsspannung erhalten.

MEHRFACHREGLER-VERKABELUNG UND -KONFIGURATION



- **VORSICHT:** Ein Mehrfachregler-System erfordert die folgenden speziellen Installations- und Konfigurationsmaßnahmen:
- 1) Jeder Regler muss an ein und derselben Batterie angeschlossen sein und diese laden.
 - 2) Ein Regler muss auf IPN-Adresse 0 (Null) und die anderen auf die Adressen 1 – 7 gesetzt werden, wobei mehrere Regler nicht auf dieselbe Adresse gesetzt werden dürfen.
 - 3) Die Ladeparameter werden nur im Master gesetzt.
 - 5) Während die Ausgänge parallel an eine gemeinsame Batterie angeschlossen werden, müssen die PV-Eingänge vollständig separat sein. Eine große Solarbank muss in Unterbanken mit separaten PV-Plus- und -Minuspolen unterteilt werden.
 - 6) Alle Regler müssen wie in Abbildung 5 dargestellt am IPN-Netzwerk angeschlossen werden.

IPN-NETZWERK-VERKABELUNG

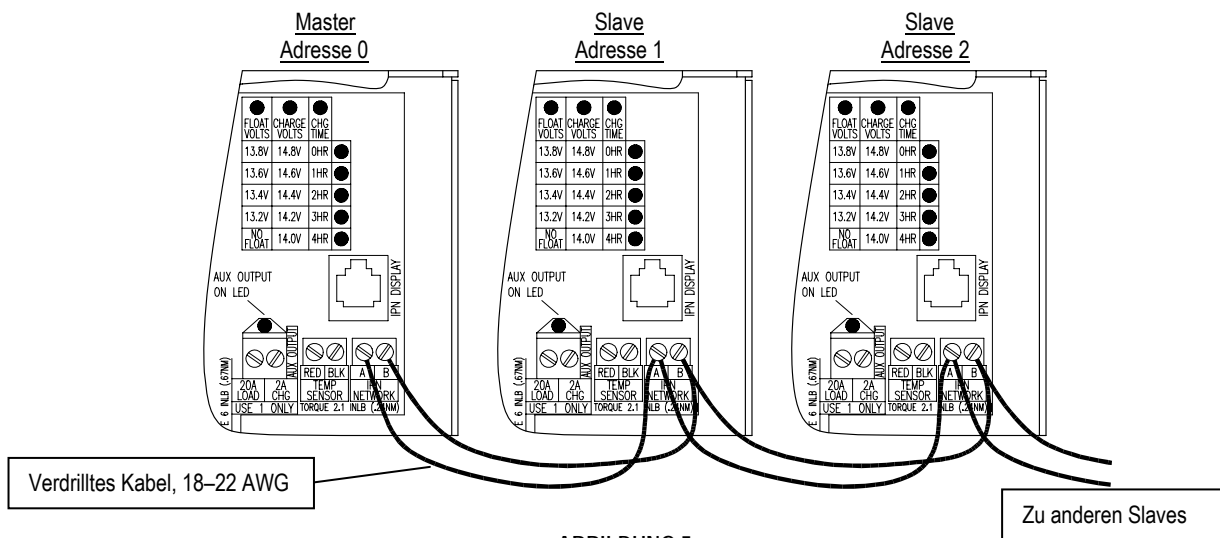


ABBILDUNG 5

IPN-NETZWERK-ADRESSE



- Ein einziger Regler muss auf die IPN-Netzwerk-Adresse 0 (Null) gesetzt werden. In einem Mehrfachregler-System muss ein Regler auf die Adresse 0 (Null) gesetzt werden, um als Master zu fungieren. Die anderen Regler müssen auf die Adressen 1 - 7 gesetzt werden, wobei mehrere Regler nicht auf dieselbe Adresse gesetzt werden dürfen.

SPANNUNGS- VERSORGUNGS-PLATINE DIP-SCHALTER	IPN-NETZWERK-ADRESSE							
	MASTER	SLAVES						
	0	1	2	3	4	5	6	7
Nr. 1 (A2)	AUS	AUS	AUS	AUS	EIN	EIN	EIN	EIN
Nr. 2 (A1)	AUS	AUS	EIN	EIN	AUS	AUS	EIN	EIN
Nr. 3 (A0)	AUS	EIN	AUS	EIN	AUS	EIN	AUS	EIN

BEFESTIGUNG



➤ **VORSICHT:** Befestigen Sie das Gerät mit den Kühlblech-Lamellen senkrecht ausgerichtet, um die Kühlung zu fördern, und bringen Sie dieses nicht in einem beschränkten Raum unter. Das 3024 ist nicht wasserdicht und muss gegen Regen, Schnee und übermäßige Feuchtigkeit geschützt werden.

DETAILIERTE ZEICHNUNGEN MIT ABMESSUNGEN

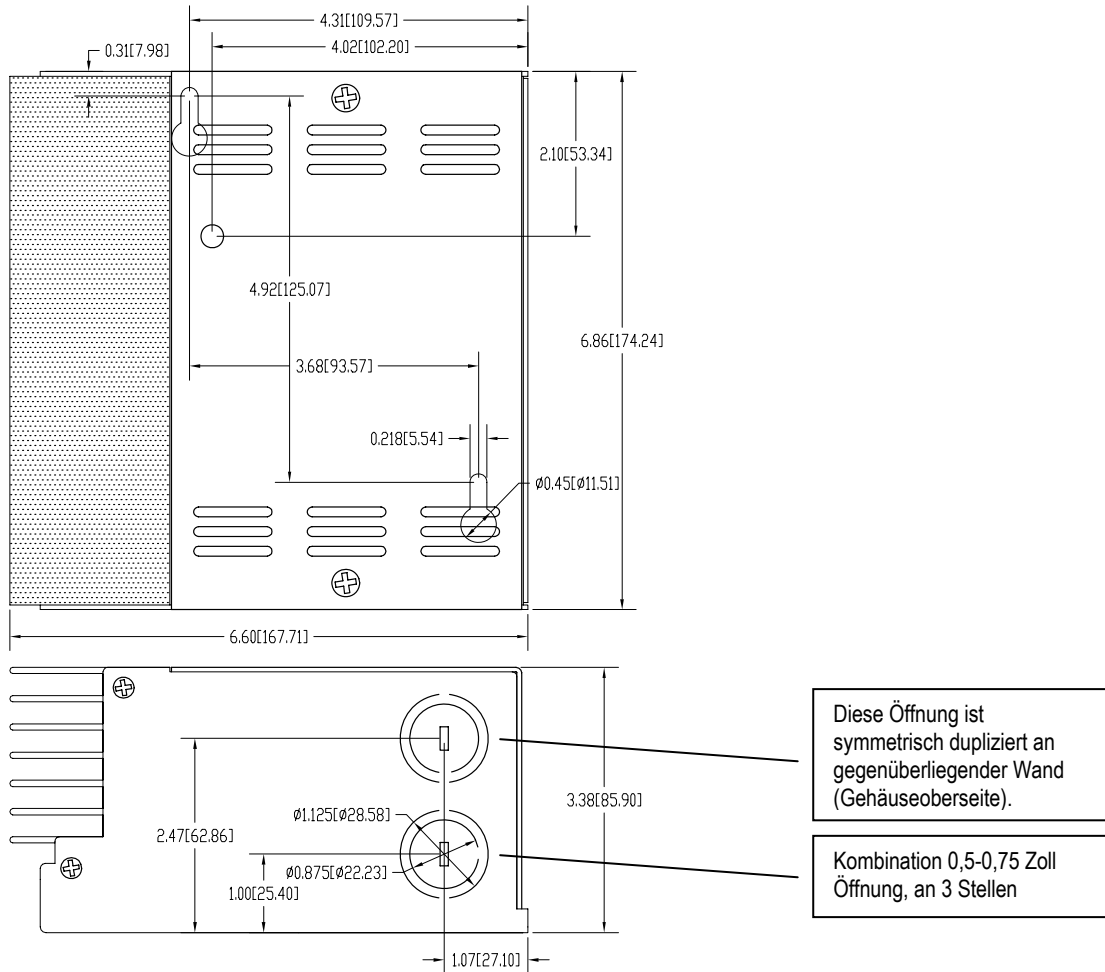


ABBILDUNG 6

ANLEITUNG ZUR FEHLERSUCHE

SYMPTOM	MÖGLICHE URSACHE	ZU UNTERSUCHENDE BZW. ZU KORRIGIERENDE POSTEN
komplett spannungslos, keine Anzeige	keine Batteriespannung	Die Batterie ist nicht angeschlossen, übermäßig entladen (< 9 V) oder verpolt. Die Batterie versorgt das Gerät mit Spannung, nicht das PV.
Gerät schaltet sich nicht ein (Ladestatus-LED aus), Anzeige (falls vorhanden) ist möglicherweise in Ordnung	PV nicht angeschlossen PV verpolt IPN-Netzwerk-Adresse falsch gesetzt Batteriespannung zu niedrig Mikroprozessor blockiert infolge von extremen Spannungsschwankungen oder elektromagnetische Beeinflussung	Das PV muss mindestens 0,15 A bei etwas mehr als Batteriespannung bereitstellen, um die Ladung zu beginnen. Ein verpoltter PV verursacht eine Erhitzung des Kühlblechs. Ein einziger Regler muss auf IPN-Netzwerk-Adresse 0 (Null) gesetzt werden. Ein Gerät eines Mehrfachregler-Netzwerks muss auf IPN-Netzwerk-Adresse 0 (Null) gesetzt werden UND alle anderen Geräte müssen auf andere Adressen gesetzt werden. Die Batterie ist übermäßig entladen (< 9 V). Die Batterie versorgt das Gerät mit Spannung, nicht das PV. Starten Sie den Mikroprozessor neu, indem Sie die Spannungszufuhr kurzzeitig unterbrechen. Stellen Sie die Spannungsversorgung verzögerungsfrei wieder her.
Gerät schaltet zwischen ein/aus hin und her	PV-Minuspol außerhalb des Geräts an Batterie-Minuspol angeschlossen	Die PV- und Batterie-Minuspole dürfen außerhalb des Geräts nicht verbunden und nicht an einen gemeinsamen Ort angeschlossen werden. Eine externe Verbindung verhindert den ordnungsgemäßen Betrieb der internen Stromableitungen und des Stromstärke-Messsystems.
Ladestatus-LED ein, aber kein Ausgangsstrom	Batteriespannung größer als Ladespannungs- Sollwert Batteriespannung zu niedrig Gerät bestimmte Batteriespannung als 12 V, während der tatsächliche Wert 24 V ist	Dies ist normaler Betrieb. Ausgang ist aus aufgrund von zu hoher Batteriespannung, die durch andere Ladesysteme verursacht werden kann. Für den ordnungsgemäßen Betrieb des Geräts muss die Batteriespannung mindestens 9 V betragen. Die Batteriespannung wird automatisch bestimmt, wenn das Gerät erstmals mit Spannung versorgt wird. Die Spannung muss mindestens 16 V betragen, um den Batterietyp als 24 V zu identifizieren. Unterbrechen Sie die Spannungsversorgung und schließen Sie danach die Batterie schnell und verzögerungsfrei wieder an.
Ladestatus-LED blinkt schnell	System in Abgleichlade-Modus	Deaktivieren Sie die Abgleichladung mittels des IPN-ProRemote oder indem Sie den DIP-Schalter Nr. 5 auf OFF (AUS) setzen.
Ladestromstärke geringer als erwartet, PV-Stromstärke möglicherweise auch zu niedrig	Batterie ist stark aufgeladen Abgenutzte PV-Module Geringe Sonneneinstrahlung PV-Minuspol mit Batterie-Minuspol verbunden PV-Nennspannung wurde von 18 V bzw. 24 V auf 12 V geändert Stromstärkelimit wurde auf 30 A geschaltet	Normaler Betrieb, die Stromstärke wird reduziert, wenn die Batteriespannung am Sollwert ist. Ersetzen oder im derzeitigen Zustand benutzen. Atmosphärischer Dunst, PV verschmutzt, Sonne niedrig am Horizont, usw. Die PV- und Batterie-Minuspole dürfen außerhalb des Geräts nicht verbunden und nicht an einen gemeinsamen Ort angeschlossen werden. Eine externe Verbindung verhindert den ordnungsgemäßen Betrieb der internen Stromableitungen und des Stromstärke-Messsystems. Wenn die PV-Spannung auf 12 V geändert wird, muss die Spannungsversorgung kurzzeitig unterbrochen werden, um das Gerät neu zu starten und die ursprünglichen PV-Regelwerte zu laden. Normaler Betrieb. Stromstärkelimit wird auf 30 A geändert, wenn PV V_{OC} 30 V übersteigt, was bei PVs mit mehr als 12 V Nennspannung auftritt. Konfigurieren Sie die PVs für 12 V und starten Sie das 3024 neu, um das 40 A-Stromstärkelimit wieder zu aktivieren.
MPPT-Stromstärke- Verstärkung ist geringer als erwartet	PV-Spannung bei maximaler Leistung (V_{MP}) ist nicht viel höher als die Batteriespannung, wodurch nur wenig extra Leistung entnommen werden kann PV ist heiß PV-Nennspannung wurde von 18 V bzw. 24 V auf 12 V geändert	PVs mit niedriger Spannung V_{MP} . PVs mit höherer Spannung V_{MP} erzeugen mehr Leistungs- und Stromstärkeverstärkungs-Potential. PVs mit $V_{MP} \geq 17$ V funktionieren am besten. Übermäßiger Spannungsabfall an der PV-Verkabelung infolge von unterdimensionierter Verkabelung, schlechten Verbindungen, usw. Batterie ist fast vollständig aufgeladen und Batteriespannung ist hoch. Ausgang während MPPT-Betrieb ist konstante Leistung; höhere Batteriespannung reduziert die Erhöhung der Ladestromstärke. V_{MP} und verfügbare Leistung fallen mit steigender PV-Zellentemperatur. Kältere PVs erzeugen eine höhere Verstärkung. Es ist normal, dass die Verstärkung fällt, wenn die Temperatur steigt. Wenn die PV-Spannung auf 12 V geändert wird, muss die Spannungsversorgung kurzzeitig unterbrochen werden, um das Gerät neu zu starten und die ursprünglichen PV-Regelwerte zu laden.

SYMPTOM	MÖGLICHE URSACHE	ZU UNTERSUCHENDE BZW. ZU KORRIGIERENDE POSTEN
Zusatzbatterie wird nicht geladen	Zusatzausgang nicht für Zusatzbatterie-Ladung konfiguriert Hauptbatterie nicht hoch aufgeladen Last an Zusatzbatterie zu hoch	Sicherstellen, dass DIP-Schalter Nr. 4 auf OFF (AUS) gesetzt ist. Die Zusatzbatterie wird nur geladen, wenn die Hauptbatterie hoch aufgeladen ist in Betriebsmodus Grundladung oder Pufferladung. Die maximale Zusatzlade-Stromstärke beträgt etwa 2 A. Die Last muss möglicherweise reduziert werden.
System ist scheinbar in Ordnung, schaltet aber nicht korrekt zwischen Hauptladung, Grundladung und Pufferladung um	Nicht auf 3-stufige Ladung eingestellt System schaltet nicht von Hauptladung auf Grundladung oder Pufferladung System schaltet nicht von Pufferladung auf Hauptladung oder Grundladung um System schaltet nicht von Grundladung auf Pufferladung um System zeigt manchmal Grundladung an, aber die Batteriespannung ist niedrig und die Stromstärke ist sehr hoch (nahe dem Maximum)	Überprüfen Sie den Pufferladungs-Spannungssollwert. Die Batterie ist stark entladen und sehr groß im Vergleich zur verfügbaren Nennladestromstärke. Die PV-Leistung ist möglicherweise zu niedrig oder die Lasten sind zu hoch. Normaler Betrieb. Das Gerät bleibt in Pufferladung und schaltet nicht auf Hauptladung oder Grundladung um, bis es nicht mehr in der Lage ist, die Batterie am Pufferladungs-Spannungssollwert zu halten. Die Batterie ist nicht vollständig aufgeladen. Das Gerät schaltet nicht auf Pufferladung um, bis die Batteriespannung für die Dauer der Ladezeit am Grundladungs-Spannungssollwert bleibt (oder die Batterie-Nennstromstärke auf den Pufferladungsübergangs-Stromstärkesollwert bei Verwendung des IPN-ProRemote fällt). Normaler Betrieb. Wenn das Gerät das Stromstärkelimit erreicht, dann durchläuft es die Grundladung für etwa 10 Sekunden beim Verlassen des Stromstärkelimits und bei der Rückkehr zu Hauptladung/MPPT.
Lastregelung funktioniert nicht ordnungsgemäß	Zusatzausgang nicht für Lastregelung konfiguriert Ausgang möglicherweise abgeschaltet aufgrund von zu niedriger Batterieladung Schwellwerte ON (EIN) / OFF (AUS) auf unangemessene Werte eingestellt Nachtbeleuchtungs-Regelung aktiviert	Sicherstellen, dass DIP-Schalter Nr. 4 auf ON (EIN) gesetzt ist. Die Last schaltet ab, wenn die Batteriespannung unter den Schwellwert für OFF (AUS) fällt (standardmäßig 11,5 V/23,0 V). Sobald die Last abgeschaltet wird, schaltet diese ein, bis die Batteriespannung über den Schwellwert für ON (EIN) steigt (standardmäßig 12,6 V/25,2 V). Korrekte Einstellungen. Deaktivieren Sie die Nachtbeleuchtungs-Regelung.
Lichter der Nachtbeleuchtungs-Regelung schalten sich nicht EIN oder bleiben EINGESCHALTET	Zusatzausgang nicht für Lastregelung konfiguriert Ausgang möglicherweise abgeschaltet aufgrund von zu niedriger Batterieladung Laderegelungs-System ON (EIN) Zeitgeber falsch eingestellt Noch keine gültige Nacht erkannt	Sicherstellen, dass DIP-Schalter Nr. 4 auf ON (EIN) gesetzt und die Nachtbeleuchtungs-Regelung aktiviert ist. Die Last schaltet ab, wenn die Batteriespannung unter den Schwellwert für OFF (AUS) fällt (standardmäßig 11,5 V/23,0 V). Sobald die Last abgeschaltet wird, schaltet diese erst wieder ein, wenn die Batteriespannung über den Schwellwert für ON (EIN) steigt (standardmäßig 12,6 V/25,2 V). Die Lichter schalten sich nicht ein, wenn das Laderegelungs-System auf ON (EIN) gesetzt und im Lademodus ist. Überprüfen Sie die Zeitgebereinstellungen nach Abenddämmerung und vor Morgendämmerung. Die Beleuchtung vor Morgendämmerung funktioniert erst, wenn eine gültige Nachtzeit von mehr als 2 Stunden erkannt wird, um somit die Nachtzeitperiode zu initialisieren.
Lichter der Nachtbeleuchtungs-Regelung schalten sich nicht AUS oder bleiben AUSGESCHALTET	Zusatzausgang nicht für Lastregelung konfiguriert Nachtbeleuchtungs-Regelung deaktiviert Zeitgeber falsch eingestellt Laderegelung schaltet sich nicht EIN	Sicherstellen, dass DIP-Schalter Nr. 4 auf ON (EIN) gesetzt und die Nachtbeleuchtungs-Regelung aktiviert ist. Die Zeitgeber nach Abenddämmerung und vor Morgendämmerung sind beide DEAKTIVIERT. Einer oder beide Zeitgeber müssen gesetzt werden, um die Nachtbeleuchtungs-Funktion zu aktivieren. Korrigieren Sie die Zeitgebereinstellungen nach Abenddämmerung und vor Morgendämmerung. Überprüfen Sie den Laderegelungs-Betrieb.
Vernetzte Geräte scheinbar nicht koordiniert oder Slaves schalten sich nicht ein	IPN-Netzwerk-Adresse falsch gesetzt Problem in der Netzwerk-Verkabelung	Ein einziger Regler muss auf IPN-Netzwerk-Adresse 0 (Null) gesetzt werden. Ein Gerät eines Mehrfachregler-Netzwerks muss auf IPN-Netzwerk-Adresse 0 (Null) gesetzt werden UND alle anderen Geräte müssen auf andere Adressen gesetzt werden. Überprüfen Sie die Verkabelung. Verwenden Sie das IPN-ProRemote, um den Status der Ladeinheit anzuzeigen und die Kommunikation zu überprüfen.

SYMPTOM	MÖGLICHE URSACHE	ZU UNTERSUCHENDE BZW. ZU KORRIGIERENDE POSTEN
Temperaturfunktionen fehlerhaft	Temperatursensor nicht vorhanden oder verpolt Temperatursensor nicht am Master installiert	Falls der Sensor nicht angeschlossen, kurzgeschlossen, verpolt oder nicht vorhanden ist, dann funktioniert das Gerät als wenn der Sensor bei 25°C wäre. Wenn der Sensor angeschlossen ist, dann sollte die Sensorspannung 2,98 V bei 25°C betragen und um +10 mV/°C variieren. In einem Mehrfachregler-System muss der Temperatursensor am Master installiert werden.
Die Anzeige schaltet sich ein, aber die Batteriespannung wird als "---" angezeigt anstelle eines Wertes	Anzeige kommuniziert nicht mit Laderegler	Das Kabel ist fehlerbehaftet. Nur einer der Laderegler kann als Master fungieren. Die Verbindungen zum Batterie-Minuspol sind mangelhaft oder nicht vorhanden und verhindern somit die Kommunikation.
Wenn sich das Ladegerät einschaltet, dann wird die Ausgangsstromstärke als "--" angezeigt anstelle eines Wertes	Ausgangsstromstärke-Anzeige auf eine nicht im IPN-Netzwerk vorhandene Adresse eingestellt	Konfigurieren Sie die IPN-Netzwerk-Adresse für ein im IPN-Netzwerk vorhandenes Ladegerät.
Ladung OFF (AUS) bei hoher Umgebungstemperatur	System schaltet sich infolge von zu hoher Kühlblechtemperatur zeitweise aus	Verbessern Sie die Belüftung oder reduzieren Sie die PV-Leistung. Durch ausreichende Belüftung wird ein Abschalten infolge von Übertemperatur verhindert und die Zuverlässigkeit verbessert. Siehe Technisches Merkblatt Nr. 100206.
Wenn sich das Ladegerät einschaltet, wird scheinbar ein falscher Ausgangsstromstärke-Wert angezeigt	Ausgangsstromstärke-Anzeige auf falsche IPN-Netzwerk-Adresse eingestellt Batterie-Minuspol außerhalb des Ladereglers mit PV-Minuspol verbunden	Konfigurieren Sie den DIP-Schalter der IPN-Netzwerk-Adressenanzeige, sodass diese die gewünschte Ausgangsstromstärke anzeigt. Die PV- und Batterie-Minuspole dürfen außerhalb des Geräts nicht verbunden und nicht an einen gemeinsamen Ort angeschlossen werden. Eine externe Verbindung verhindert den ordnungsgemäßen Betrieb der internen Stromableitungen und des Stromstärke-Messsystems.
Angezeigter Spannungs- bzw. Stromstärke-Wert scheinbar festgefahren und ändert sich nicht	IPN-Netzwerk-Adresse von Anzeige bzw. Laderegler hat sich geändert Anzeige kommuniziert nicht mit Laderegler	Konfigurieren Sie den DIP-Schalter der IPN-Netzwerk-Anzeige derart, dass die Ausgangsstromstärke des im IPN-Netzwerk vorhandenen Ladegeräts korrekt angezeigt wird. Das Anzeigekabel ist fehlerhaft.

TECHNISCHE ANGABEN

TECHNISCHE ANGABEN	Solar Boost 3024iL und 3024DiL
Ausgangs-Nennstromstärke	30 A / 40 A ³⁾
Batterie-Nennspannung	12 V / 24 V Gleichspannung
PV-Eingangsspannung	57 V Gleichspannung (Maximum)
Leistungsverbrauch	Typisch 0,35 W (Bereitschaftszustand) • 1,0 W Ladung ON (EIN)
Ladealgorithmus	3-stufige Hauptladung/Grundladung/Pufferladung • plus Abgleichladung
Grundladungs-Spannung	14,4 V Gleichspannung ²⁾ (Bereich 14,0 V – 14,8 V Gleichspannung ²⁾ , 10,0 V – 40,0 V Gleichspannung ³⁾)
Pufferladespannung	13,2 V Gleichspannung ²⁾ (Bereich 13,2 V – 13,8 V Gleichspannung ²⁾ , 10,0 V – 40,0 V Gleichspannung ³⁾)
Abgleichladespannung	15,2 V Gleichspannung ²⁾ (Bereich 10,0 V – 40,0 V Gleichspannung ³⁾) • automatisch oder manuell
Spannungssollwertlimit	15,5 V Gleichspannung ²⁾ (Bereich 10,0 V – 40,0 V Gleichspannung ³⁾)
Zusatzausgang	einzelner Ausgang konfigurierbar entweder als 20 A Lastregler oder als 2 A-Zusatzbatterie-Ladegerät
• Zusatzbatterie-Ladung	2 A typisch, dieselbe Ladespannung wie die Hauptbatterie
• Lastregelung	20 A Maximum, ON (EIN) ≥ 12,6 V Gleichspannung ²⁾ / OFF (AUS) ≤ 11,5 V Gleichspannung ²⁾ (Bereich 10,0 V – 40,0 V Gleichspannung ³⁾ oder Nenn-Batterieladepkapazität (AH) ³⁾)
• Nachtbeleuchtungs-Regelung ³⁾	variable Zeitgeber nach Abenddämmerung und vor Morgendämmerung ³⁾ , Bereich 0,5 h – 20,0 h
Temperaturkompensation	optionaler Sensor passt Ladespannung an Batterietemperatur an Korrekturfaktor -5,00 mV/°C/Zelle (Bereich 0,00–8,00 mV/°C/Zelle ³⁾) • Sensorbereich -60°C bis +80°C
Leistungsumwandlungs-Wirkungsgrad	97% typisch bei 28 V / 24 A Ausgang
Gehäuseabmessungen	17,4 cm hoch × 16,8 cm breit × 8,59 cm tief (6,875 Zoll × 6,625 Zoll × 3,375 Zoll)
Spannungs-/Stromstärke Genauigkeit/Bereich	Batterie-Spannungsmesser 40,0 V Gleichspannung ±0,50% (bei Maximalwert) • PV-Spannungsmesser 60,0 V Gleichspannung ±0,50% (bei Maximalwert) Stromstärkemesser 41,0 A ± 0,50% (bei Maximalwert)
Kommunikation	patentrechtlich geschützte IPN-Netzwerk-Schnittstelle von Blue Sky Energy
Umwelt	-40°C bis +40°C, 10% – 90% relative Luftfeuchtigkeit nichtkondensierend

Als Bestandteil unseres kontinuierlichen Verbesserungsprozesses
Die technischen Angaben können sich ohne vorherige Ankündigung ändern.

²⁾ SB3024i allein, Spannungen verdoppeln sich für 24 V-Batterien
³⁾ mit IPN-ProRemote
³⁾ 40 A bei 12 V-Batterie und 12 V-PV-Modulen

FÜNFJÄHRIGE BEGRENZTE GARANTIE

Die Firma Blue Sky Energy, Inc. (nachstehend BSE genannt), garantiert hiermit gegenüber dem ursprünglichen Endverbraucher, dass das Produkt und dessen Teile gemäß den untenstehend dargelegten Bedingungen für eine Gewährleistungsfrist von fünf (5) Jahren frei von Verarbeitungs- und Materialfehlern sind.

1. Diese beschränkte Garantie wird dem ursprünglichen Endverbraucher des Produkts gewährt und ist nicht auf Dritte übertragbar.
2. Die Gewährleistungsfrist der beschränkten Garantie beginnt am Verkaufsdatum des Produkts an den ursprünglichen Endverbraucher. Zur Inanspruchnahme von Garantiereparaturen muss dem Produkt eine Kopie des ursprünglichen Kaufbelegs beigelegt werden, welches den Käufer und das Verkaufsdatum ausweisen muss.
3. Diese beschränkte Garantie erstreckt sich nicht auf, und zukünftige Gewährleistungsansprüche verfallen für, jegliches Produkt oder dessen Teile, deren Beschädigung zurückzuführen sind auf (a) die Abänderung, Demontage oder Applikation einer Fremdschubstanz, (b) eine nicht durch eine von BSE autorisierte Reparaturwerkstatt ausgeführte Reparatur oder Instandsetzung, (c) einen Unfall oder Missbrauch, (d) Korrosion, (e) Blitzschlag oder andere höhere Gewaltwirkung, (f) den Betrieb oder die Installation, welche die Gebrauchsanweisungen des Produkts verletzen, oder (g) kosmetische Alterung.
4. Falls die Prüfung des Produkts durch BSE ergibt, dass das Produkt nicht defekt ist, dann wird dem Endverbraucher eine Prüf- und Auswertungsgebühr von 40 USD sowie jegliche Transport- und Versicherungskosten für das Rücksenden des Produkts an den Endverbraucher in Rechnung gestellt. Der Endverbraucher ist letztendlich für die ordnungsgemäße Installation und das korrekte Betreiben des Produkts verantwortlich, und vorherige Hilfe bei der Fehlersuche durch BSE hebt die Prüf- und Auswertungsgebühr nicht auf. BSE behält sich das Recht vor, die Prüf- und Auswertungsgebühr ohne vorherige Ankündigung zu ändern.
5. Sofern dessen Beschädigung durch diese beschränkte Garantie abgedeckt ist, verpflichtet sich BSE dazu, das Produkt nach deren alleinigem Ermessen zu reparieren bzw. zu ersetzen und das Produkt mittels von BSE ausgewähltem Standardversand innerhalb der kontinentalen Vereinigten Staaten zurückzusenden. Dem Endverbraucher werden alle Transport- und Versicherungskosten zur Rücksendung des Produkts außerhalb der kontinentalen Vereinigten Staaten sowie alle Transport- und Versicherungskosten zur Expressrücksendung des Produkts in Rechnung gestellt. Die Haftung von BSE im Falle eines beschädigten Produkts bzw. eines Teils davon ist auf die Reparatur bzw. den Ersatz des Produkts beschränkt. BSE ist nicht haftbar für jegliche Personen- bzw. Eigentumsschäden oder jegliche Nebenschäden, Folgeschäden bzw. andere Schäden, die durch einen Fehler im Produkt bzw. in dessen Teilen hervorgerufen wurden.
6. Jegliche stillschweigende Garantie der allgemeinen Gebrauchstauglichkeit bzw. Eignung für einen bestimmten Zweck ist auf die Gewährleistungsfrist dieser Garantie beschränkt.
7. Zur Inanspruchnahme von Garantiereparaturen wenden Sie sich bitte an BSE unter der Telefonnummer 760-597-1642 und erfragen Sie eine Warenrücksendungs-Autorisierungsnummer (Return Goods Authorization, RGA). Markieren Sie das Paket außen mit dieser RGA-Nummer und senden Sie das Produkt unter Vorauszahlung des Portos und mit Versicherung an die untenstehende Adresse zurück. Alle Transport- und Versicherungskosten im Zusammenhang mit der Rücksendung des Produkts an BSE sowie jegliche Kosten, die durch Transportschäden verursacht wurden, welche die Garantie ungültig machen bzw. die Reparaturkosten erhöhen können, fallen zu Lasten des Endverbrauchers.