

RSD-S-PLC

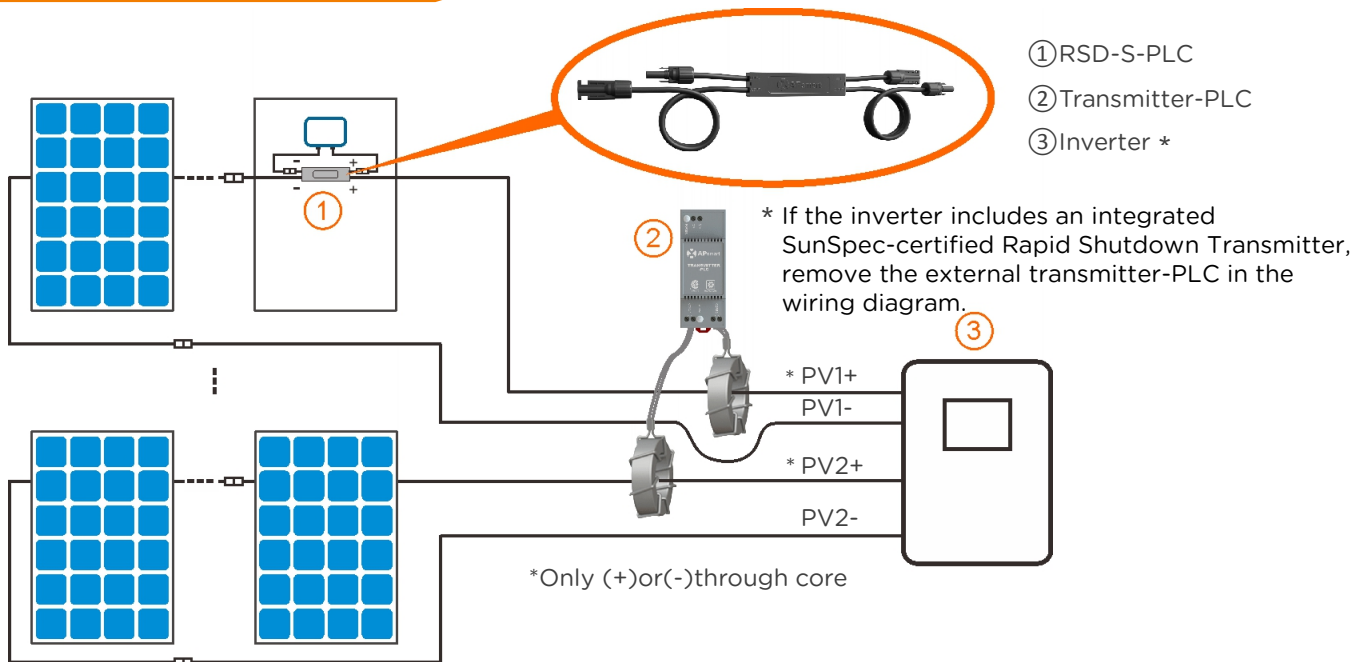
- Meets NEC 2017 & 2020 (690.12) requirements
- Executes rapid shutdown of system when Transmitter-PLC signal is absent
- Meets SunSpec requirements

RSD-S-PLC Technical Data

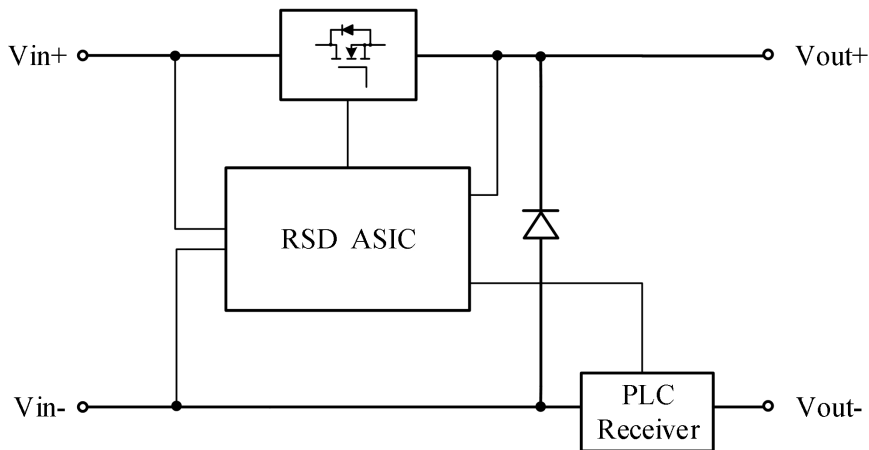
Model	RSD-S-PLC
Input Data (DC)	
Input Operating Voltage Range	8-80V
Maximum Cont. Input Current (I _{max})	15A
Output Data (DC)	
Output Operating Voltage Range	8-80V
Maximum System Voltage	1000V/1500V
Mechanical Data	
Operating Ambient Temperature Range	-40 °F to +185 °F (-40 °C to + 85 °C)
Dimensions (without cable & connectors)	5" x 1.2" x 0.6"(129 mm x 30 mm x 16 mm)
Cable Length	Input 250mm/Output 1200mm
Cable Cross Section Size	TUV:4mm ² /UL:12AWG
Connector	MC4 or Customize
Enclosure Rating	NEMA Type 6P/IP68
Over Temperature Protection	Yes
Features & Compliance	
Communication	PLC
Safety Compliance	NEC 2017 & 2020 (690.12); UL1741; CSA C22.2 No. 330-17; IEC/EN62109-1; 2PFG2305
EMC Compliance	FCC Part15; ICES-003;IEC/EN61000-6-1/-2/-3/-4

The RSD-S-PLC meets SunSpec requirements, maintaining normal function by continually receiving a heartbeat signal from the APsmart Transmitter. The RSD executes rapid system shutdown when the Transmitter signal is absent. Users can manually execute rapid shutdown using Transmitter breaker switch.

RSD-S-PLC Wiring Diagram



Working Schematic Diagram



ORDERING INFORMATION

415002	1500V UL/1000V TUV, 1.2m cable, MC4
415001	1000V UL/TUV, 1.2m cable, Customized connector