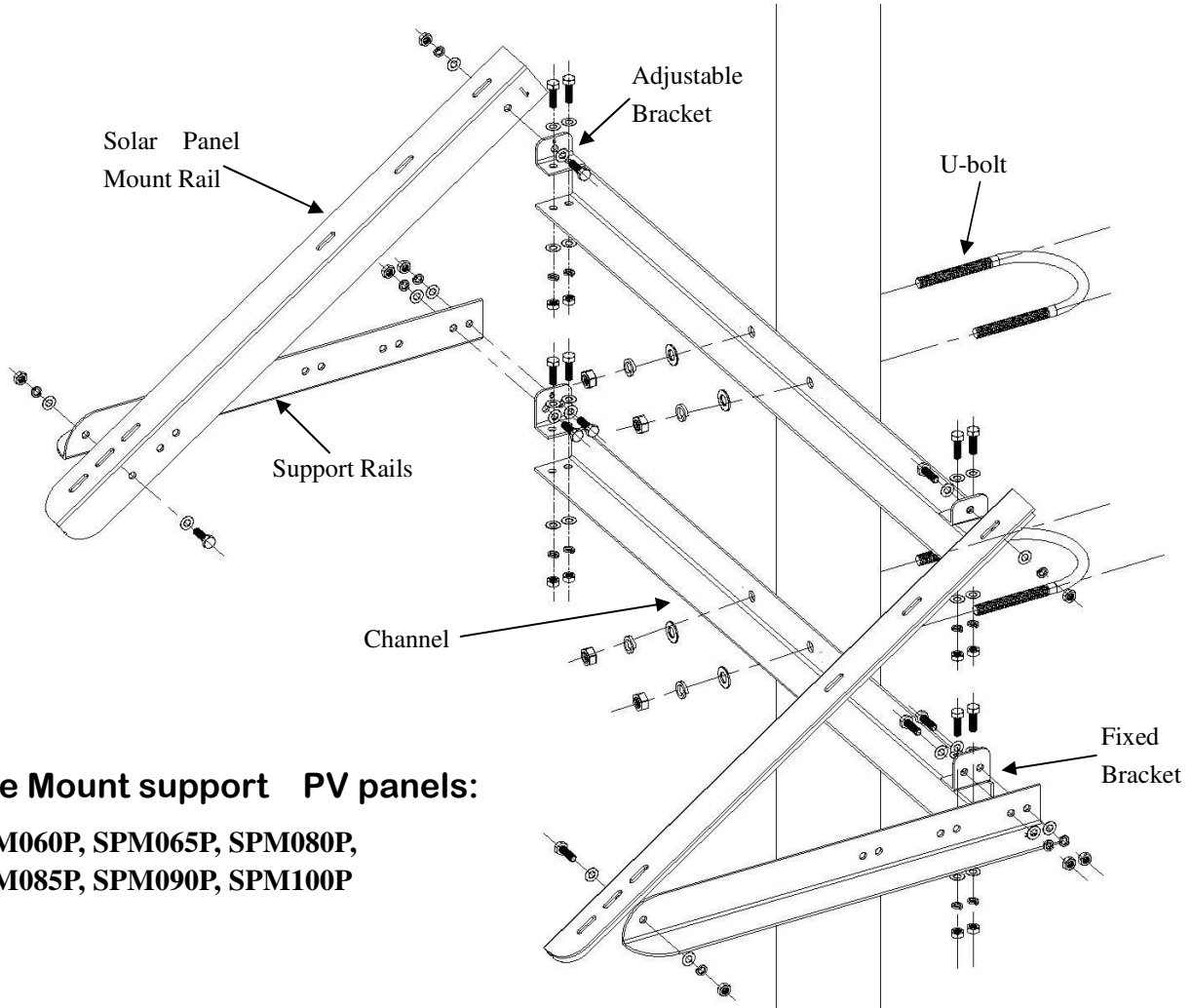


M880D Solartech Power Universal Side-of-Pole Mount Installation Guide



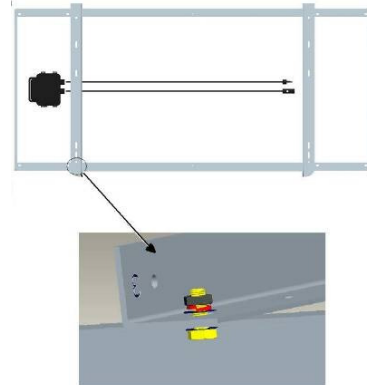
The Mount support PV panels:

SPM060P, SPM065P, SPM080P,
SPM085P, SPM090P, SPM100P

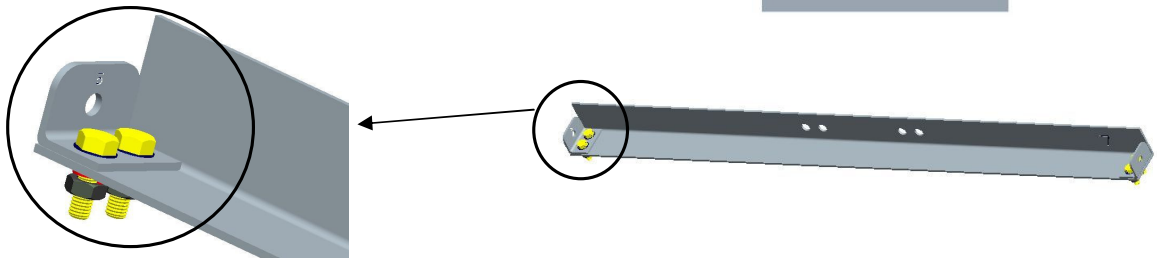
Component List		
Part	Qty	ID code
Solar Panel Mount Rail	2	1,3
Channel	2	7, 8
Support Rails	2	2,4
Adjustable Bracket	2	5
Fixed Bracket	2	6
U-bolt for \varnothing 4' pole	2	
M12 hex-cap bolt for U-bolt	4	
M12 flat washer for U-bolt	4	
M12 split lock washer for U-bolt	4	
M12 hex nut for U-bolt	4	
M10 hex-cap bolt	16	
M10 flat washer	16	
M10 split lock washer	16	
M10 hex nut	16	

Step1 - mounting the rail supports on the PV module

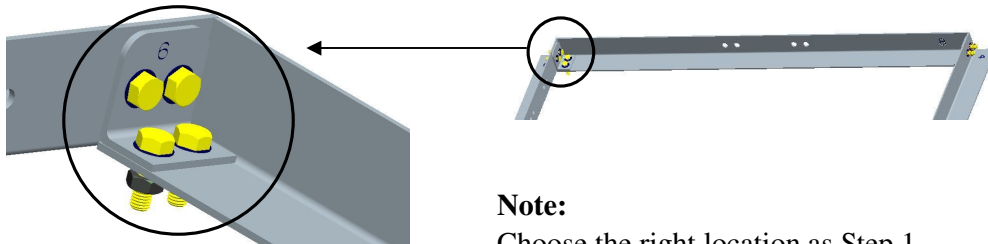
Lay the PV module face down on a protected surfaced and attach Solar Panel Mount Rail and finger tighten, 两个组件并排放在一起。



Step 2 - attaching the adjustable bracket to the top channels and finger tighten.



Step 3 Attaching the fixed bracket to the bottom channels, then bolt one end of support rail (with optional hole location) to the corresponding fixed bracket, and finger tighten.

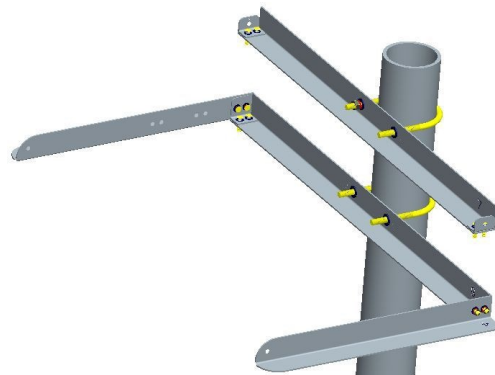


Note:
Choose the right location as Step 1

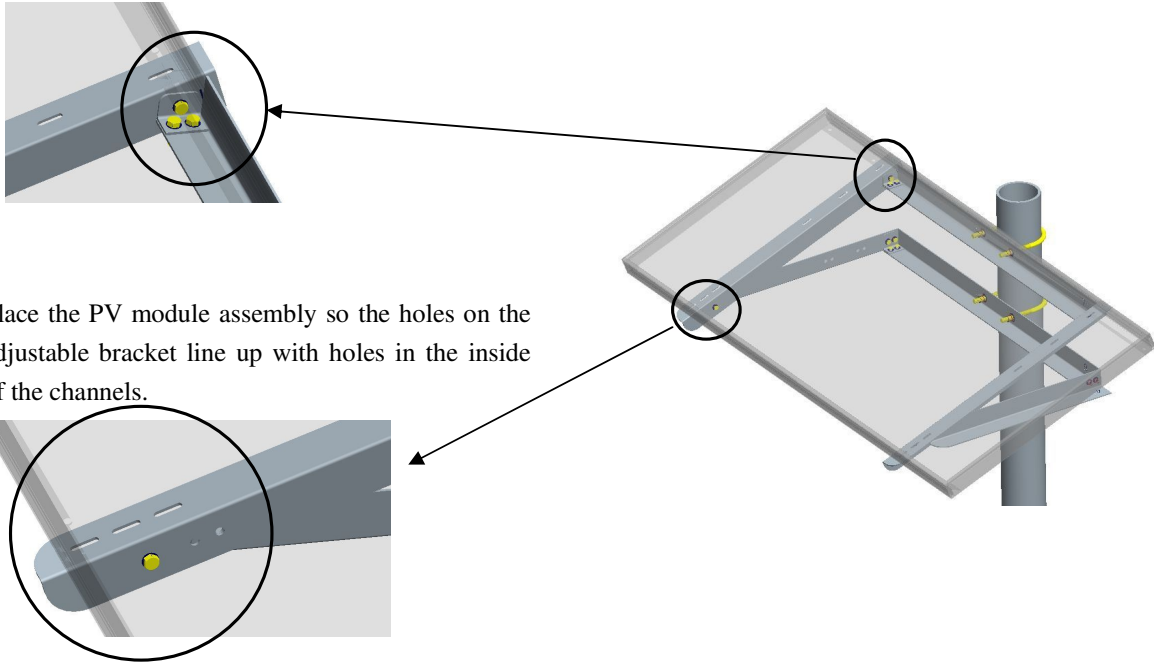
Step 4 - attaching the channels to the pole

TIP:

Lock the top channels on pole, left bottom channel slack, so you can adjust the angle easily



Step 5 - mounting the PV assembly on the pole



安装好的组件和支架

